

ASSEMBLY INSTRUCTIONS

1
15

MODEL : CK 6216
PRODUCT SIZE : 920mm x 1900mm

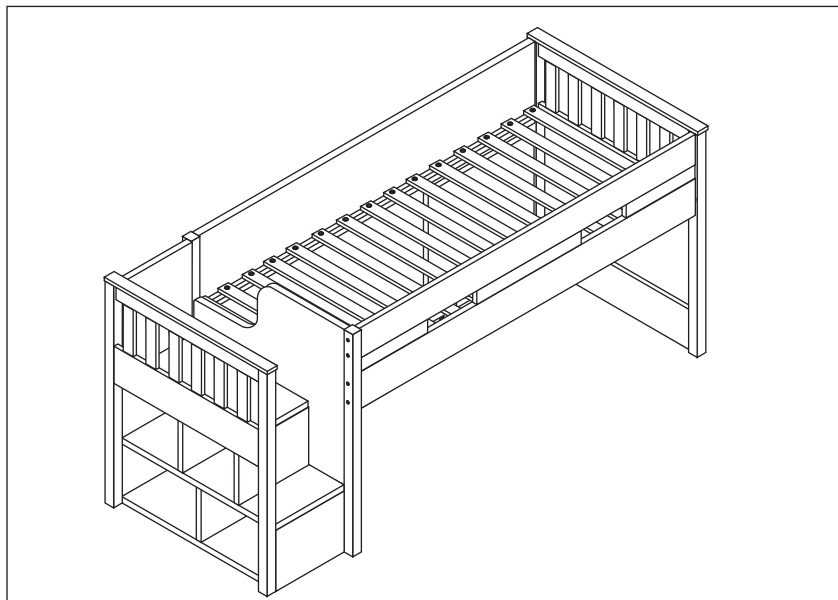
Thank you for purchasing this product. Before starting assembly we suggest you spend a short time reading through this leaflet, then follow the simple step by step guide.
Two persons are needed to assemble this product.



* Approximately 1 Hours



* 2 People Required



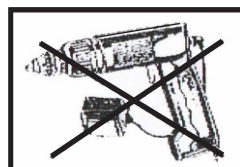
IMPORTANT - READ CAREFULLY - RETAIN FOR FUTURE REFERENCE

- A) WARNING "High beds and the upper bed of bunk beds are not suitable for children under six years due to the risk of injury from falls";
- B) WARNING "Bunk beds and high beds can present a serious risk of injury from strangulation if not used correctly. Never attach or hang items to any part of the bunk bed that are not designed to be used with the bed, for example, but not limited ropes, strings, cords, hooks, belts and bags"
- C) WARNING "Children can become trapped between the bed and the wall, a roof pitch, the ceiling, adjoining pieces of furniture (e.g. cupboards) and the like. To avoid risk of serious injury the distance between the top safety barrier and the adjoining structure shall not exceed 75 mm or shall be more than 230 mm";
- D) WARNING "Do not use the bunk bed/high bed if any structural part is broken or missing;
- E) always follow the manufacturer's instructions;
- F) the recommended size of the mattress(es); This bunk bed is suitable for a single mattress or foam bed 920mm x 1870mm. Thickness of mattress should not exceed 200mm.
- G) ventilation of the room is necessary in order to keep the humidity low and to prevent mould in and around the bed;
- H) all bunk beds and high beds intended to be assembled by other than the manufacturer or his/her representative shall include assembly instructions including a list of the parts supplied and details of any tools required to assemble the bed;
- I) This Bunk Bed Conforms to BS EN 747-1:2012+A1:2015

Tools Required For Assembly



Tools Not Use



DO NOT USE POWER TOOLS TO ASSEMBLE THIS PRODUCT. USE OF POWER TOOLS WILL INVALIDATE ANY CLAIM AND MAY DAMAGE THIS PRODUCT MAKING IT UNSAFE.



DO NOT USE HAMMER

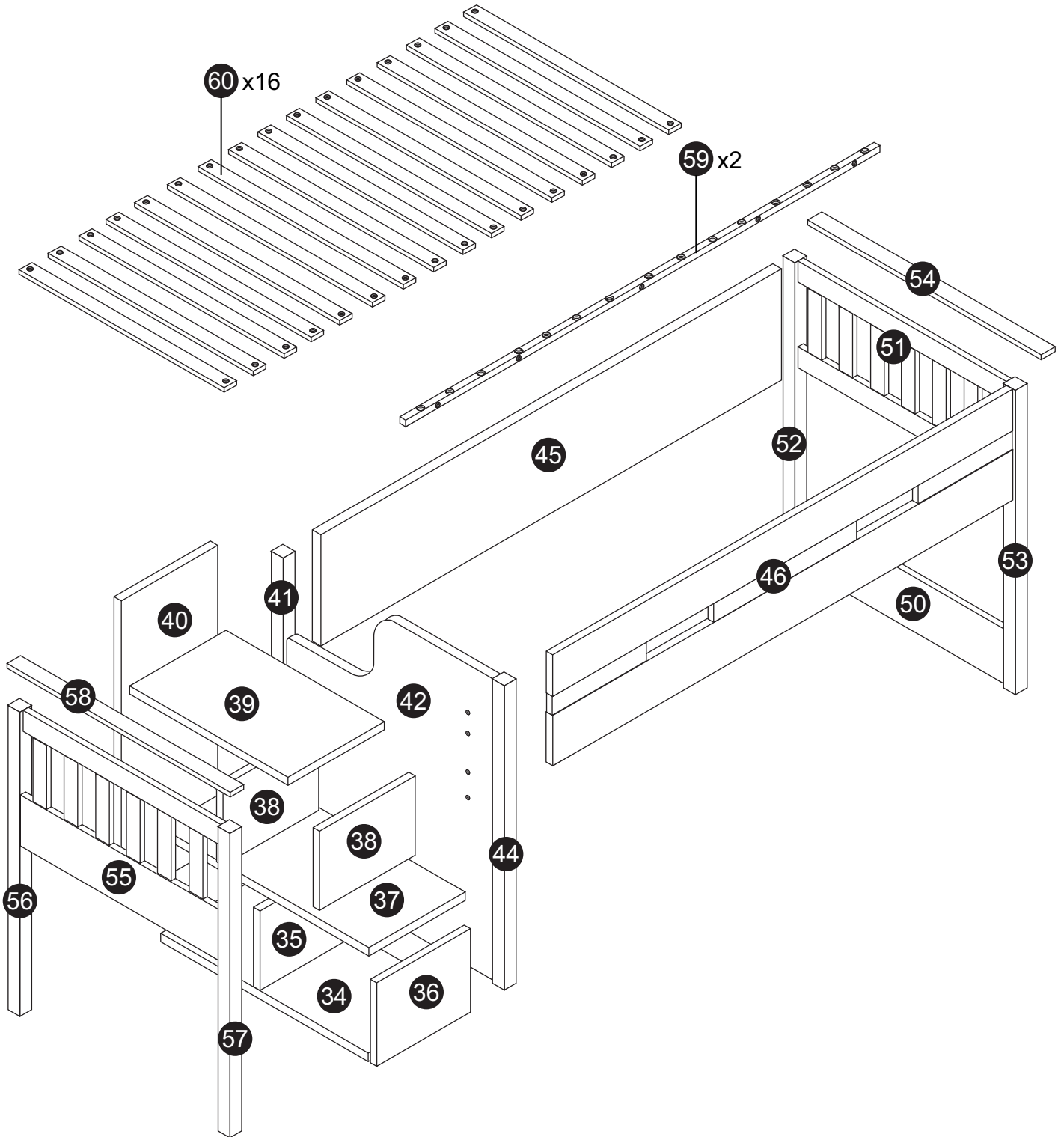
PARTS LIST

Model: CK 6216

Carton 1 of 4			(51)	RIGHT END PANEL (CENTER UPPER)	1
No.	Part Name	Pcs	(55)	LEFT PANEL (CENTER UPPER)	1
(34)	BOTTOM PANEL (LADDER)	1	(60)	LVL BASE	15
(35)	CENTER PANEL (LADDER)	1		Carton 3 of 4	
(36)	FRONT PANEL LADDER	1	(45)	BACK SIDE PANEL	1
(37)	1 ST LADDER STEP	1	(46)	FRONT SIDE PANEL	1
(38)	SUPPORT PANEL (FRONT LADDER)	2	(59)	SIDE RAIL	2
(39)	END LADDER STEP	1			
(40)	BACK PANEL (LADDER)	1			
(41)	LEFT END PANEL (BACK)	1			
(44)	LEFT END PANEL (FRONT)	1			
(52)	RIGHT END PANEL (BACK)	1			
(53)	RIGHT END PANEL (FRONT)	1			
(54)	RIGHT END PANEL (TOP)	1			
(56)	LADDER SIDE BACK	1			
(57)	LADDER SIDE FRONT	1			
(58)	LEFT PANEL TOP	1			
FITTING LIST					
Carton 2 of 4					
(42)	LEFT END PANEL (CENTER)	1			
(50)	RIGHT END PANEL (CENTER LOWER)	1			














PARTS LIST

Model: CK 6216



Charlie Frame: CK 6216

Fitting List

No.	Part Name		Pcs
(A)	Cam 		47
(B)	Cam Stud (5137) 		47
(C)	M8 x 25mm Wood Dowel 		71
(E)	45mm Chipboard Screw 		10
(F)	M6 x 30mm Allen Bolt 		32
(G)	M6 x 35mm Allen Bolt 		10
(J)	M6 x 90mm Allen Bolt 		12
(K)	M6 x 13mm Baller 		12
(L)	M6 JCN Nut 		6
(M)	5/8 PVC Feet Nail 		2
(N)	Sticker (Extra 1 pcs) 		19
(P)	M6 Allen Wrench 		2
(Q)	M6 x 50mm Allen Bolt 		1

CAUTION

There are many small components used in the construction of this unit. These loose items should be kept away from young children whilst assembling your unit. As an extra precaution, screw cover caps should be permanently fixed in position. (Where applicable)

USEFUL HINTS & TIPS

Two people will be required to assemble this unit

Please keep this assembly instruction for future reference

GUIDE TO ASSEMBLY

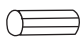




Model: CK 6216

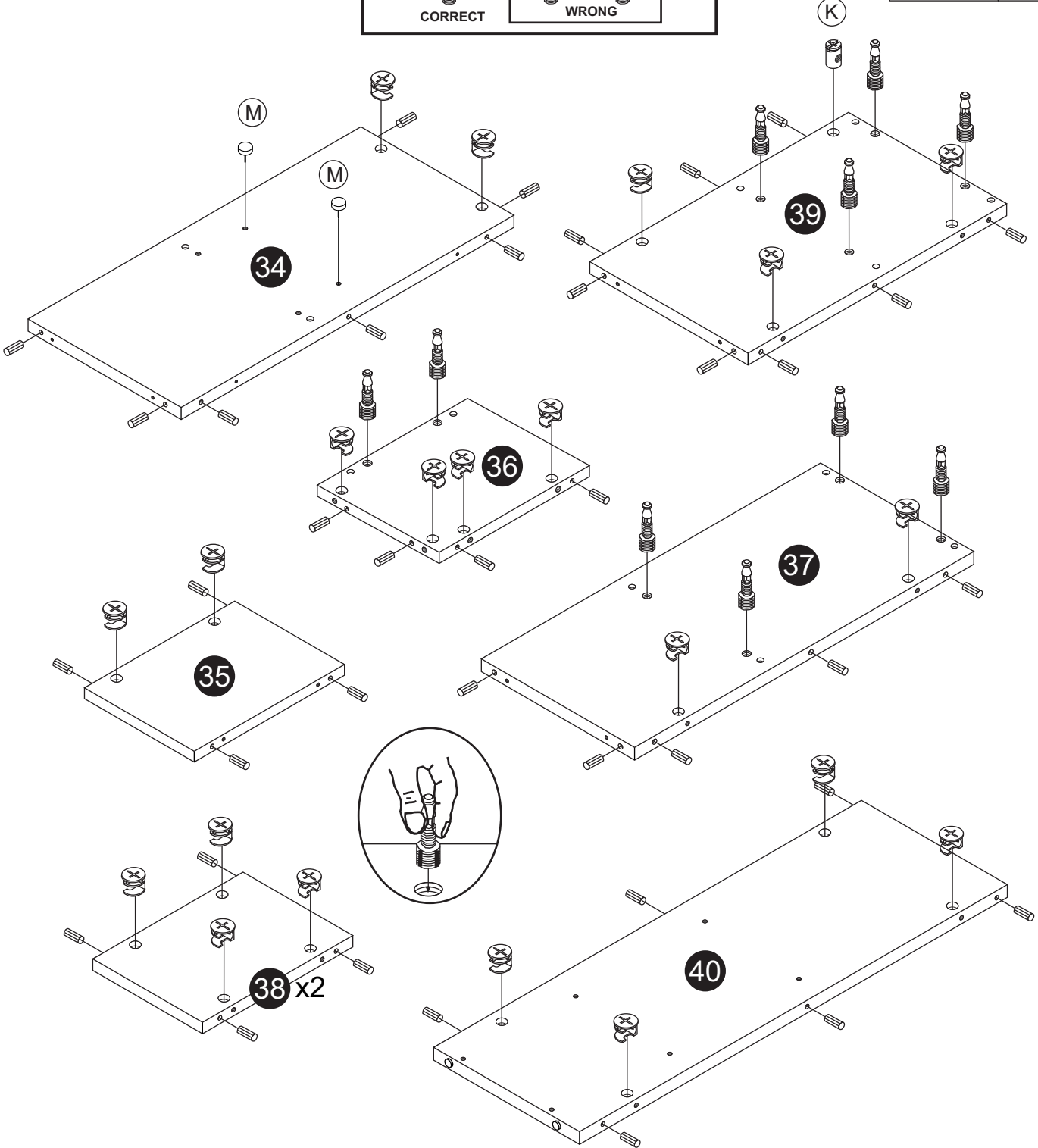
STEP 1

WHEN FITTING CAMS
ENSURE STARTING POSITION IS CORRECT
BEFORE YOU INSERT CONNECTING BOLT
TURN CLOCKWISE UNTIL SECURE

↑
CORRECT

WRONG

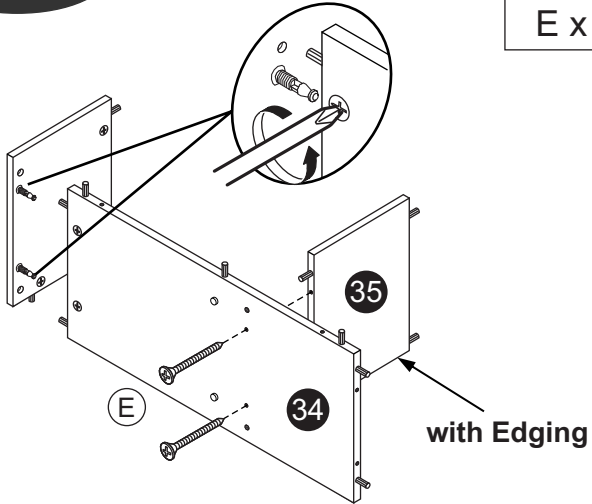
 C x 42	 B x 10	 A x 26
	 K x 1	 M x 2



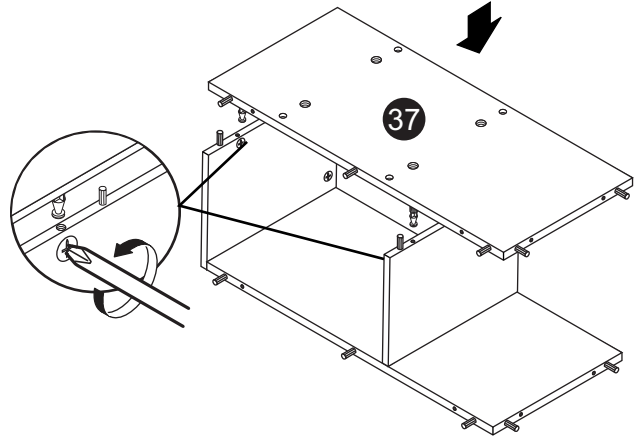
GUIDE TO ASSEMBLY

Model: CK 6216

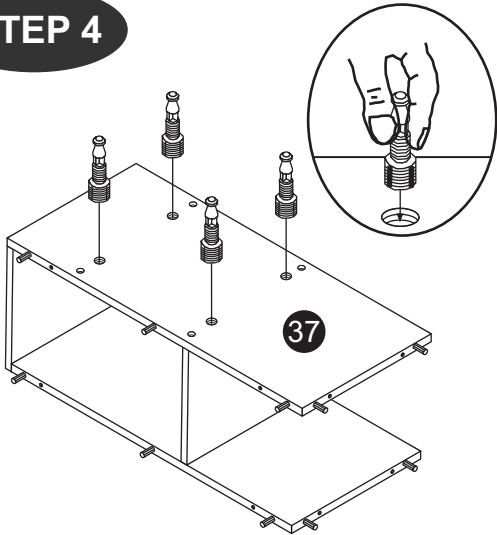
STEP 2



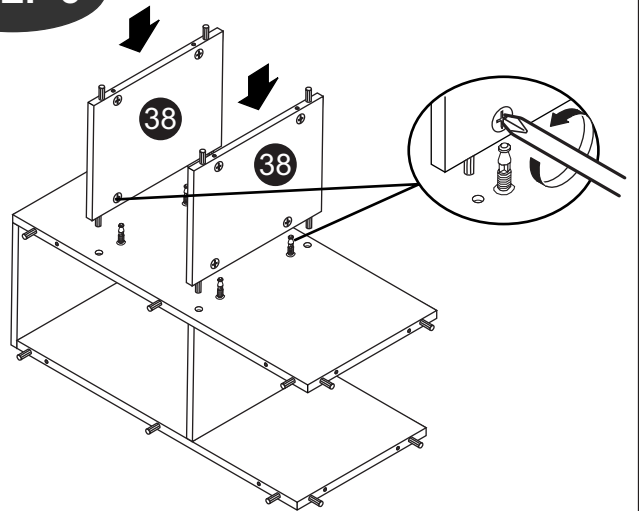
STEP 3



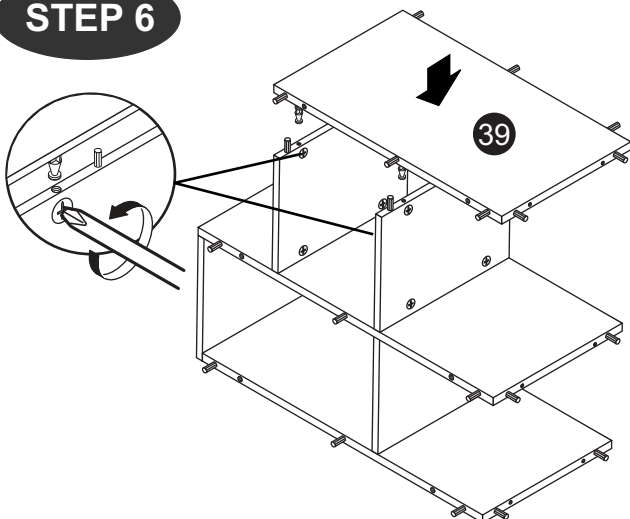
STEP 4



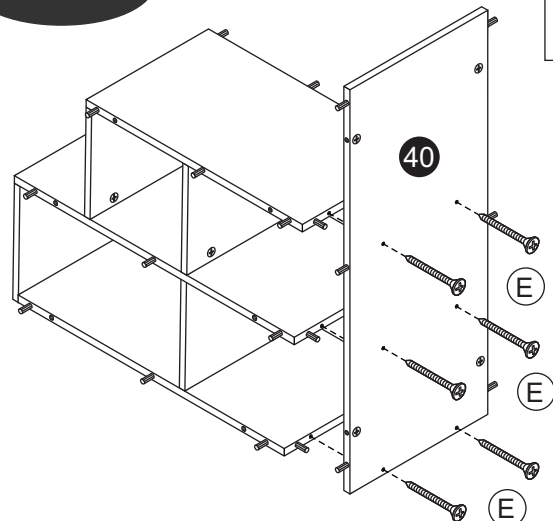
STEP 5



STEP 6



STEP 7

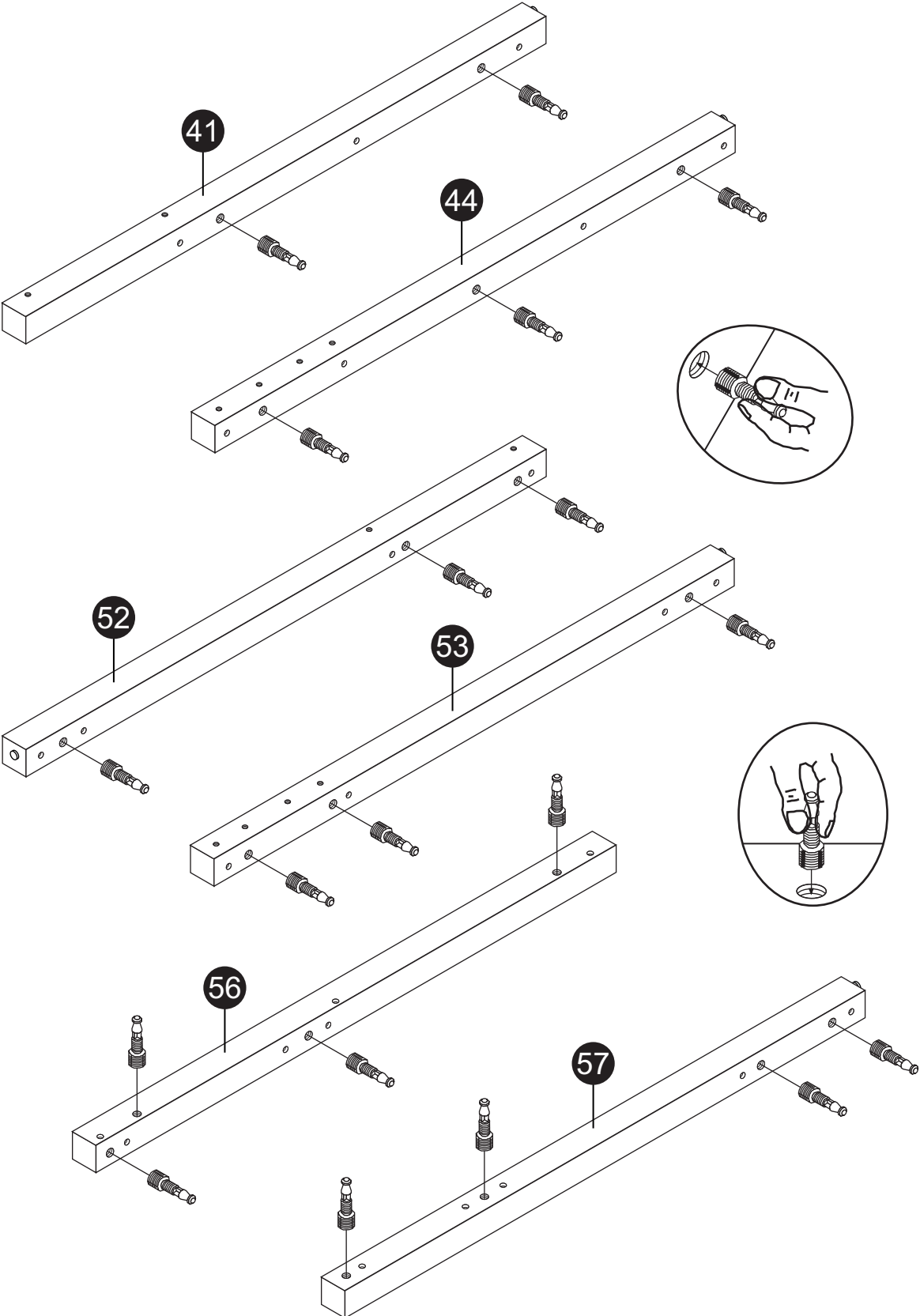


GUIDE TO ASSEMBLY

Model: CK 6216

STEP 8


B x 19



GUIDE TO ASSEMBLY

Model: CK 6216

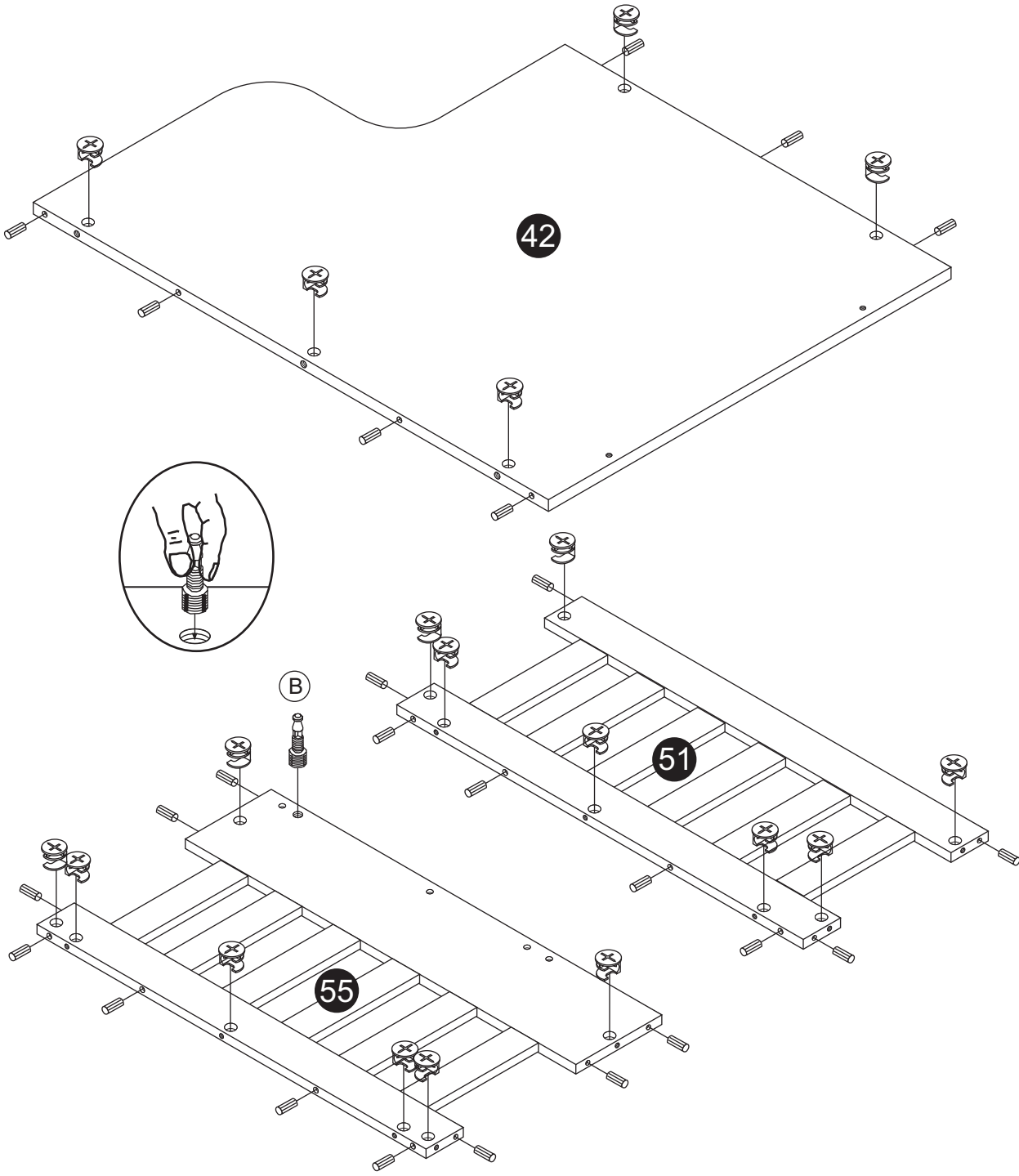
STEP 9

WHEN FITTING CAMS
ENSURE STARTING POSITION IS CORRECT
BEFORE YOU INSERT CONNECTING BOLT
TURN CLOCKWISE UNTIL SECURE

✓ **CORRECT**

WRONG

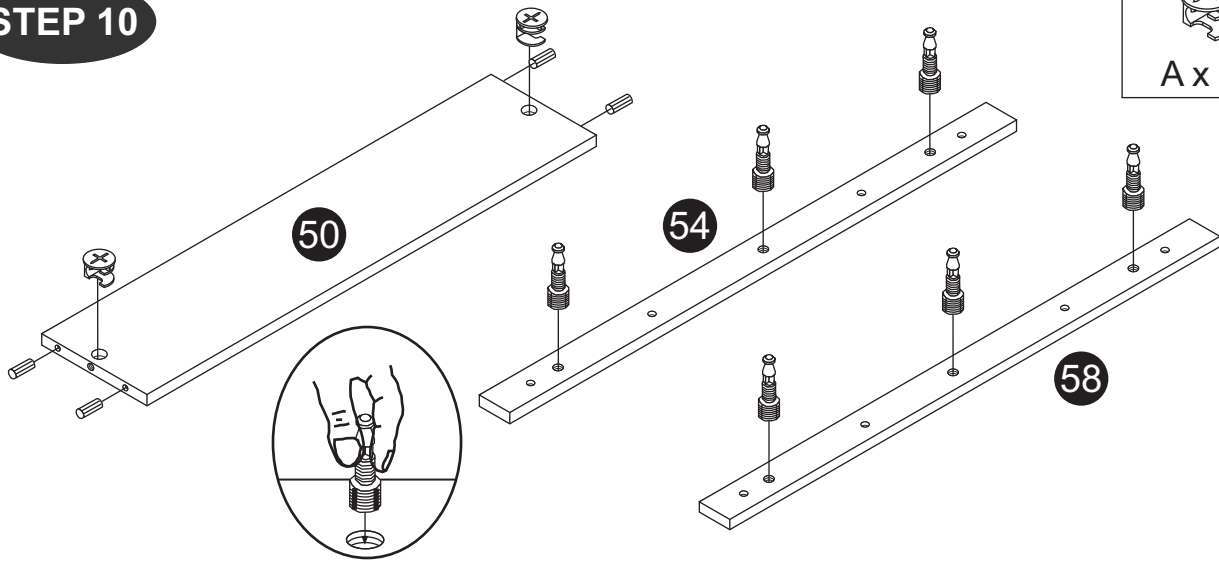
A x 19	B x 2
C x 25	






GUIDE TO ASSEMBLY

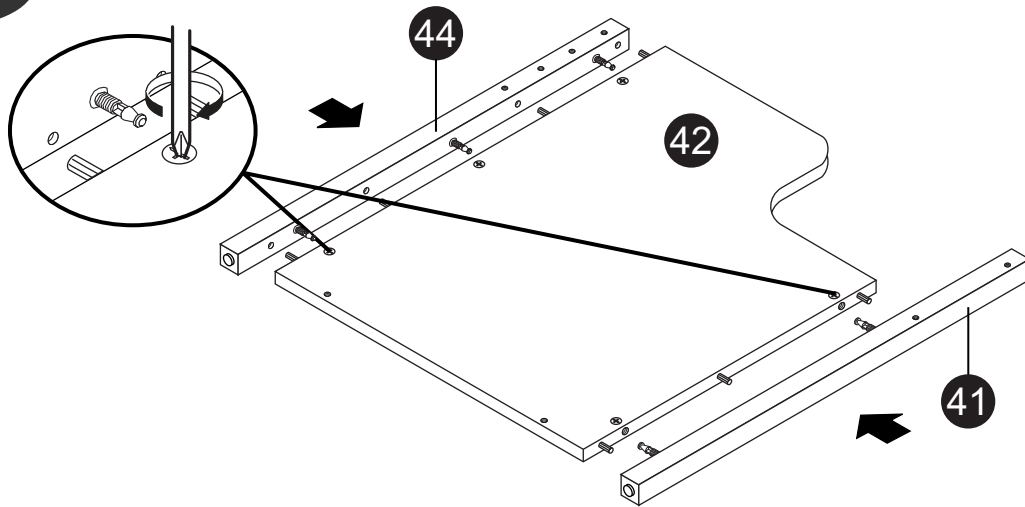
Model: CK 6216

STEP 10

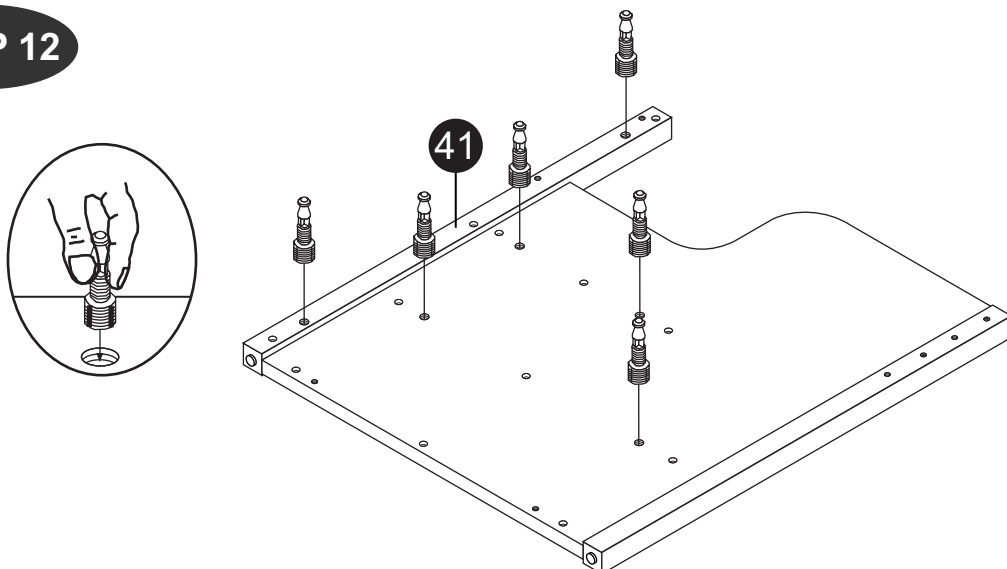



 A x 2	 B x 6
	 C x 4

STEP 11



STEP 12



 B x 6
--

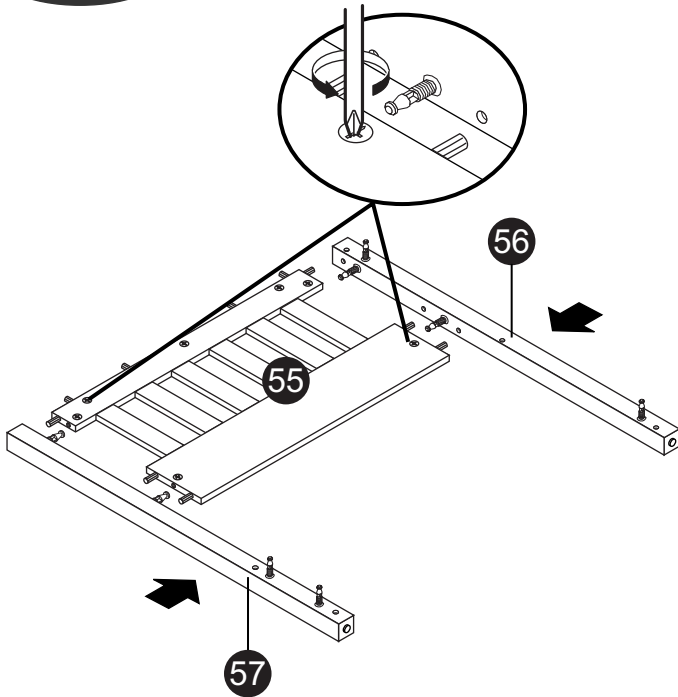
GUIDE TO ASSEMBLY

10
15

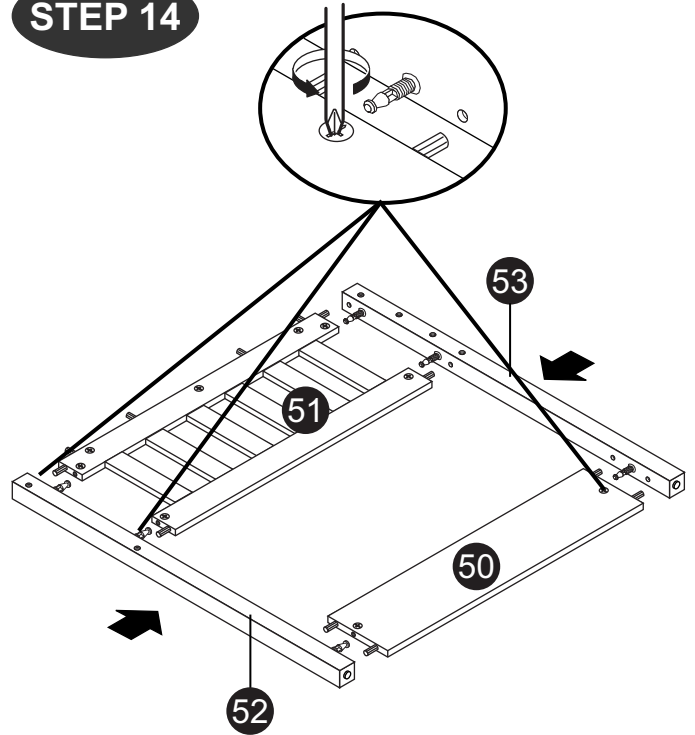
Model:

CK 6216

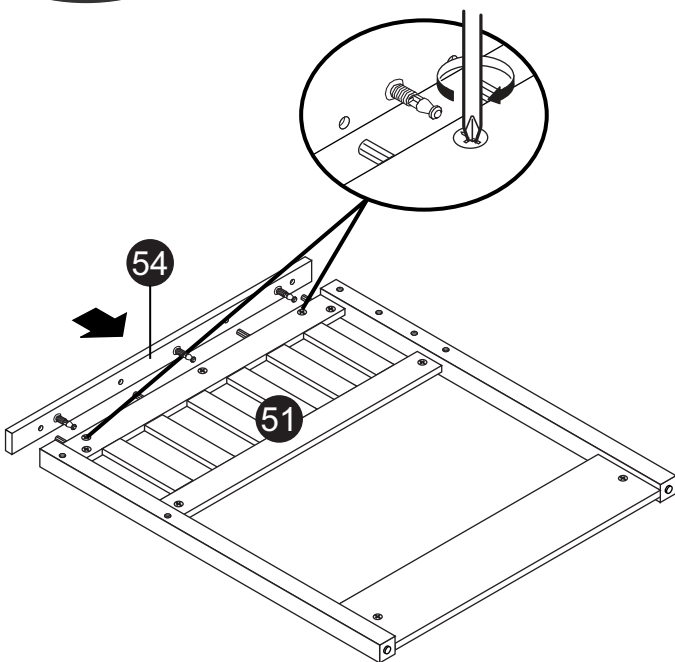
STEP 13



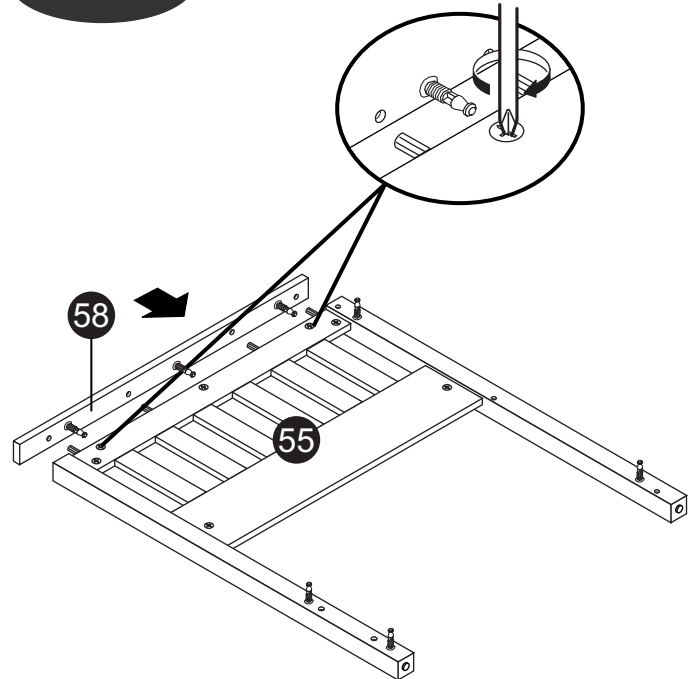
STEP 14



STEP 15



STEP 16




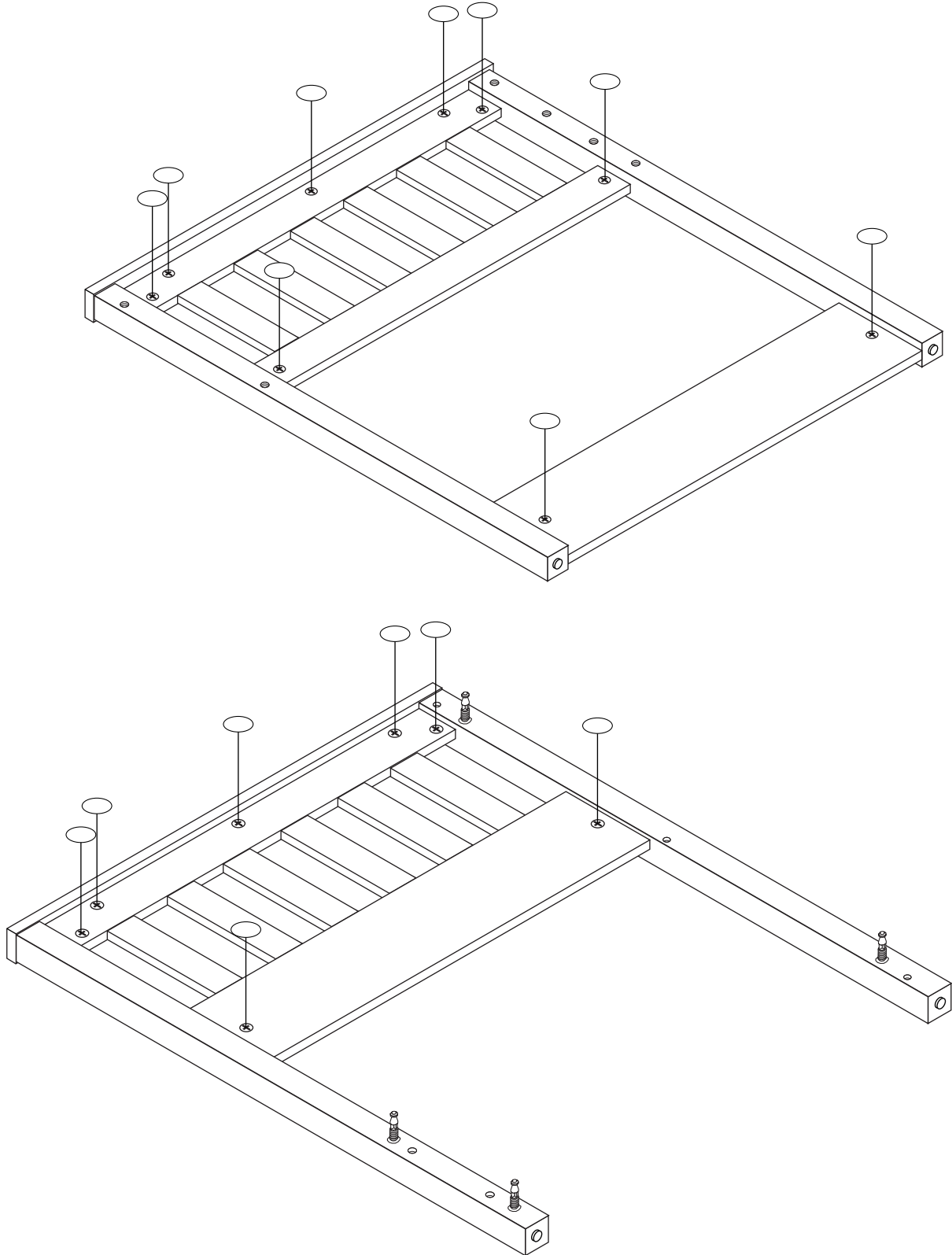
GUIDE TO ASSEMBLY

11
15

Model: CK 6216

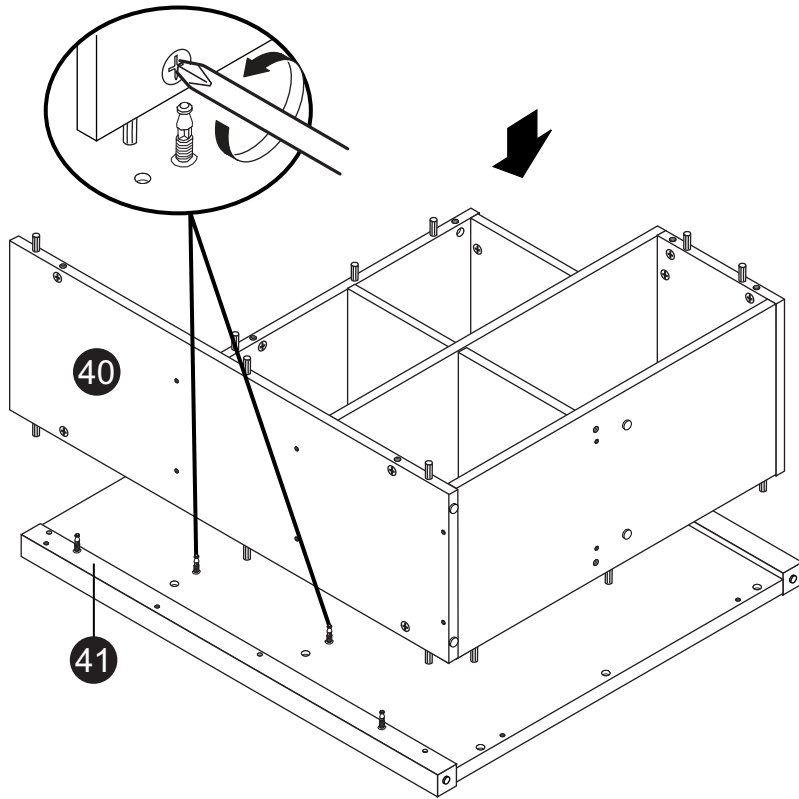
STEP 17


N x 16

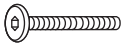
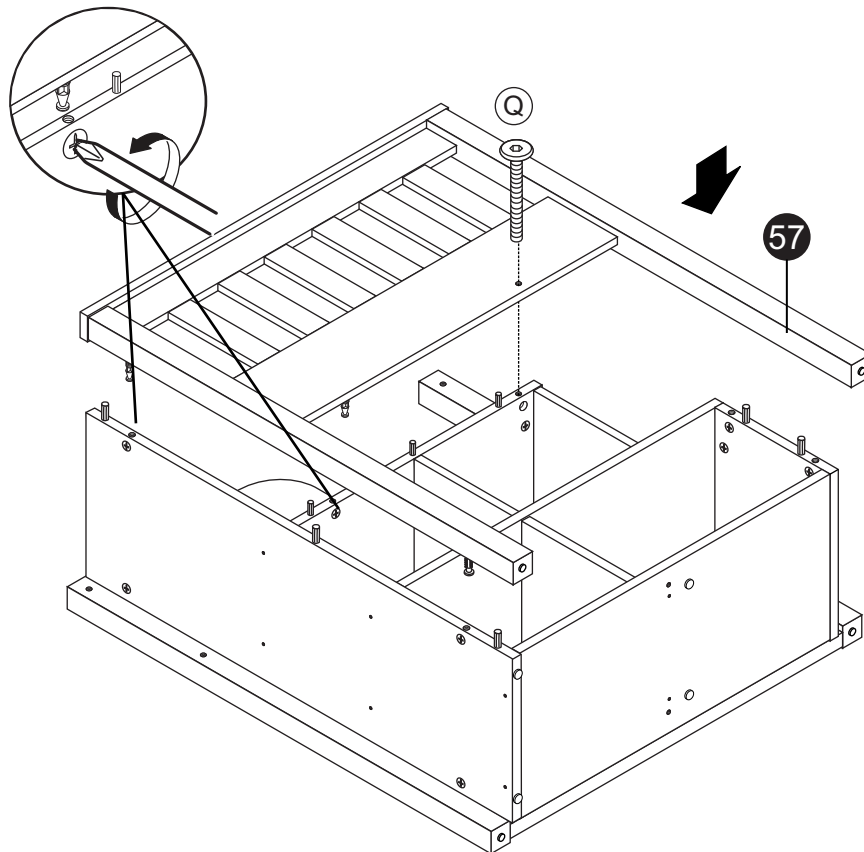


Model: CK 6216

STEP 18



STEP 19



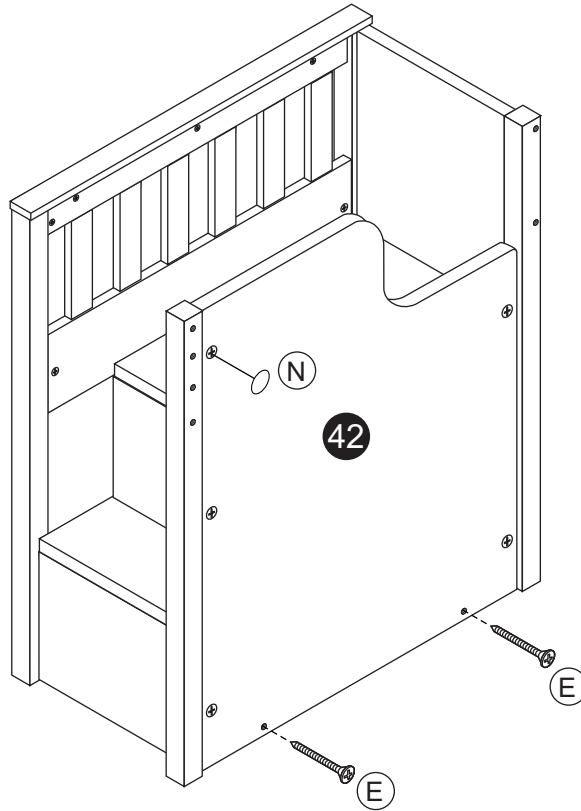
Q x 1

GUIDE TO ASSEMBLY

13
15

Model: CK 6216

STEP 20

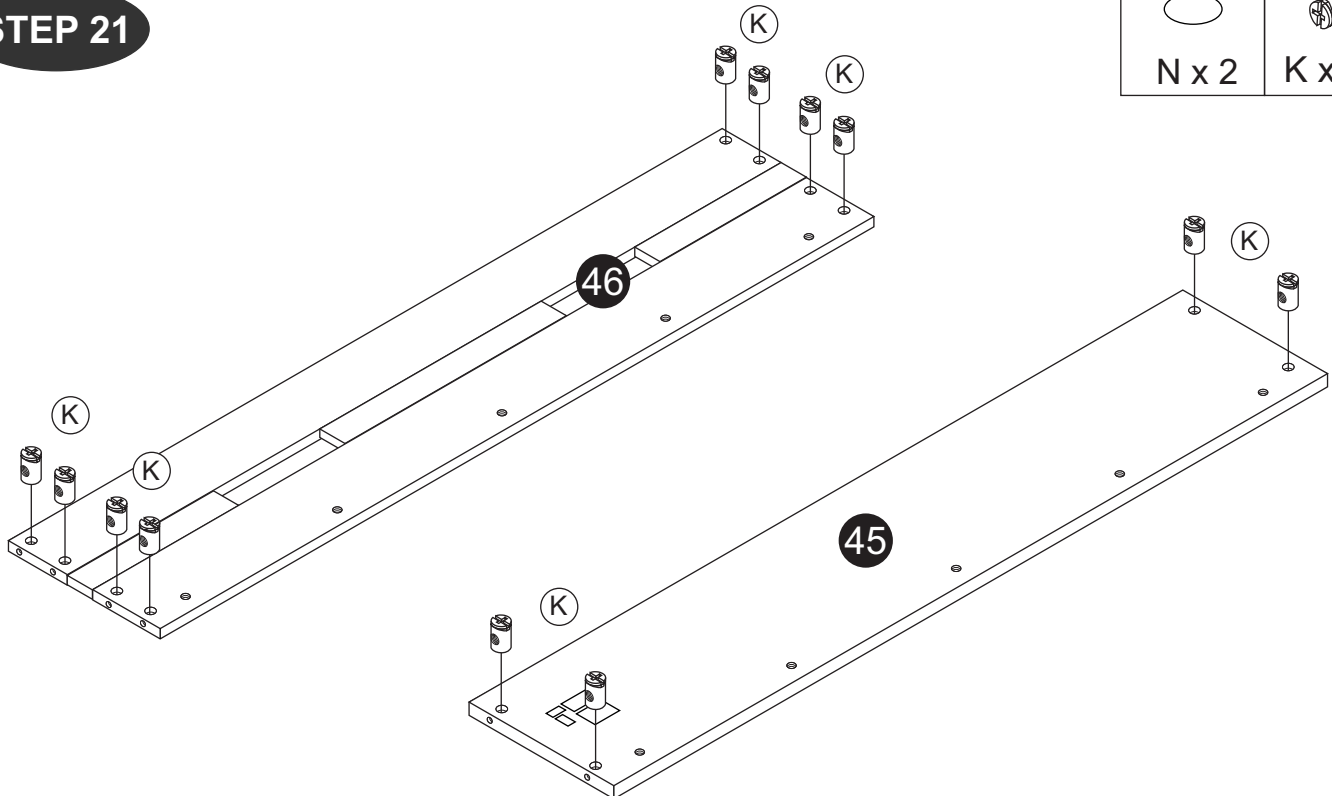


N x 1



E x 2

STEP 21



N x 2



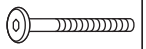
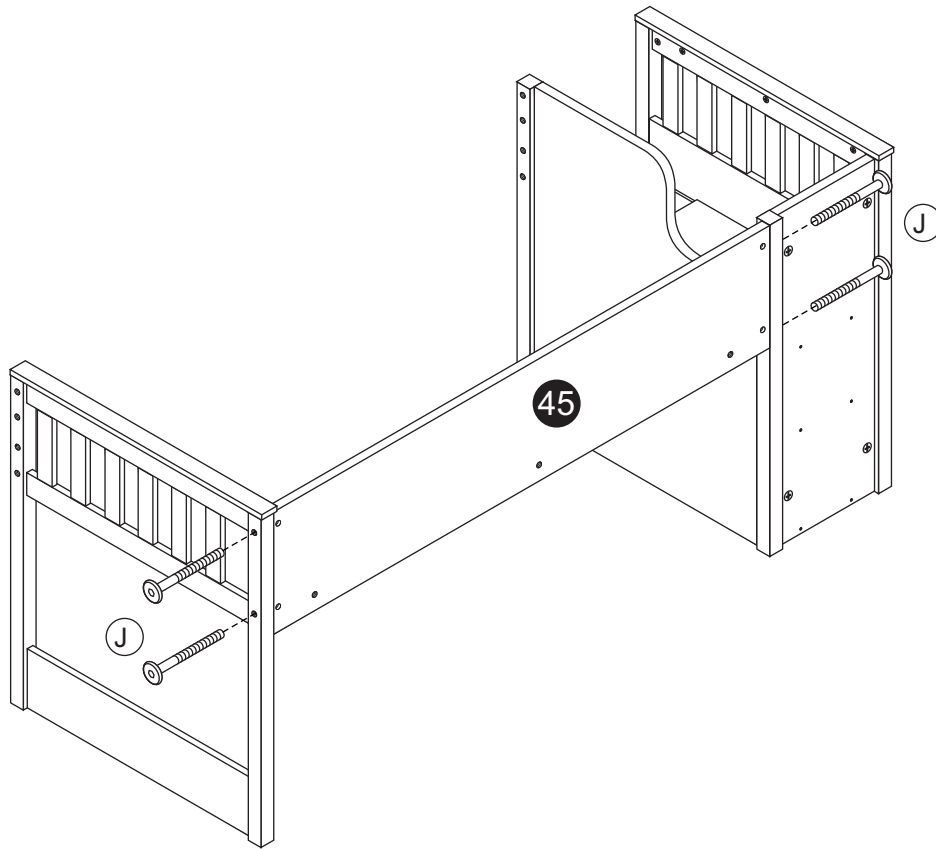
K x 12

GUIDE TO ASSEMBLY

14
15

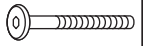
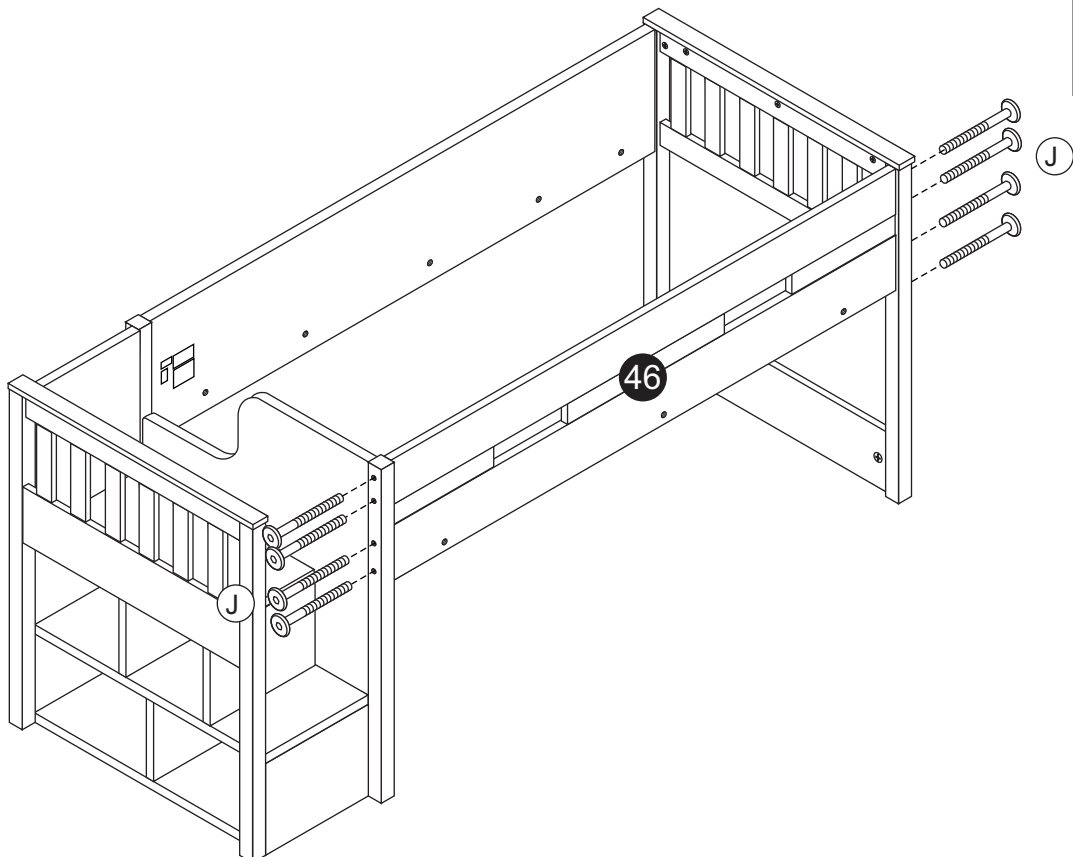
Model: CK 6216

STEP 22



J x 4

STEP 23



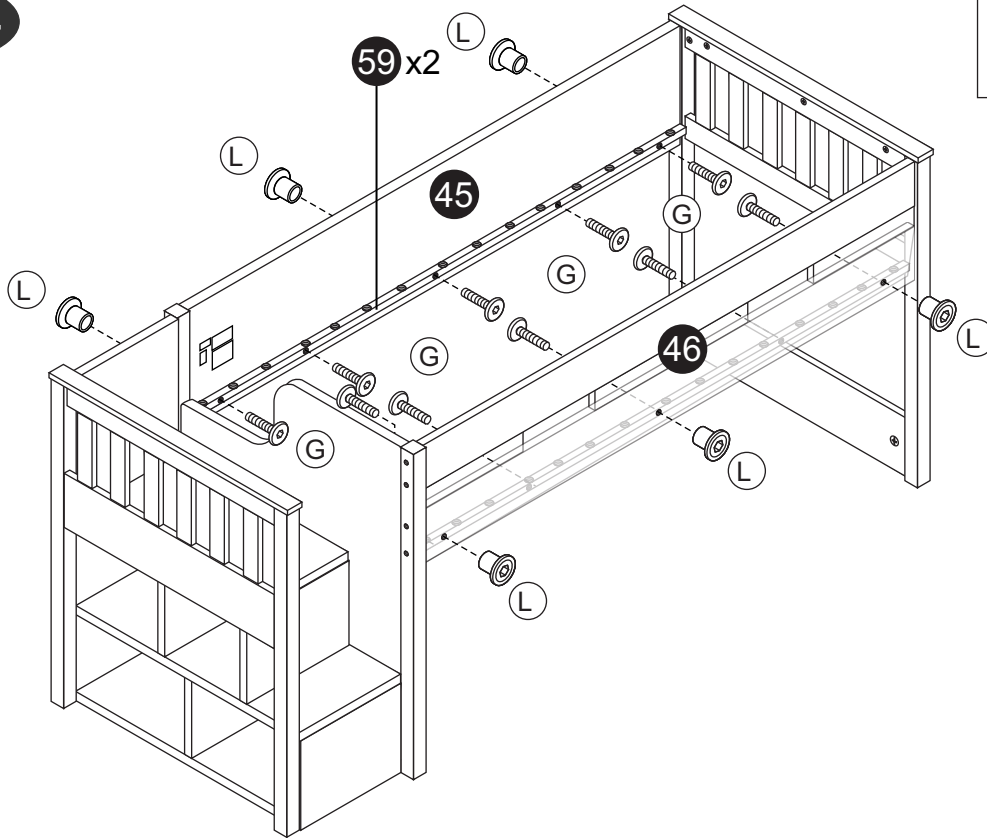
J x 8

GUIDE TO ASSEMBLY

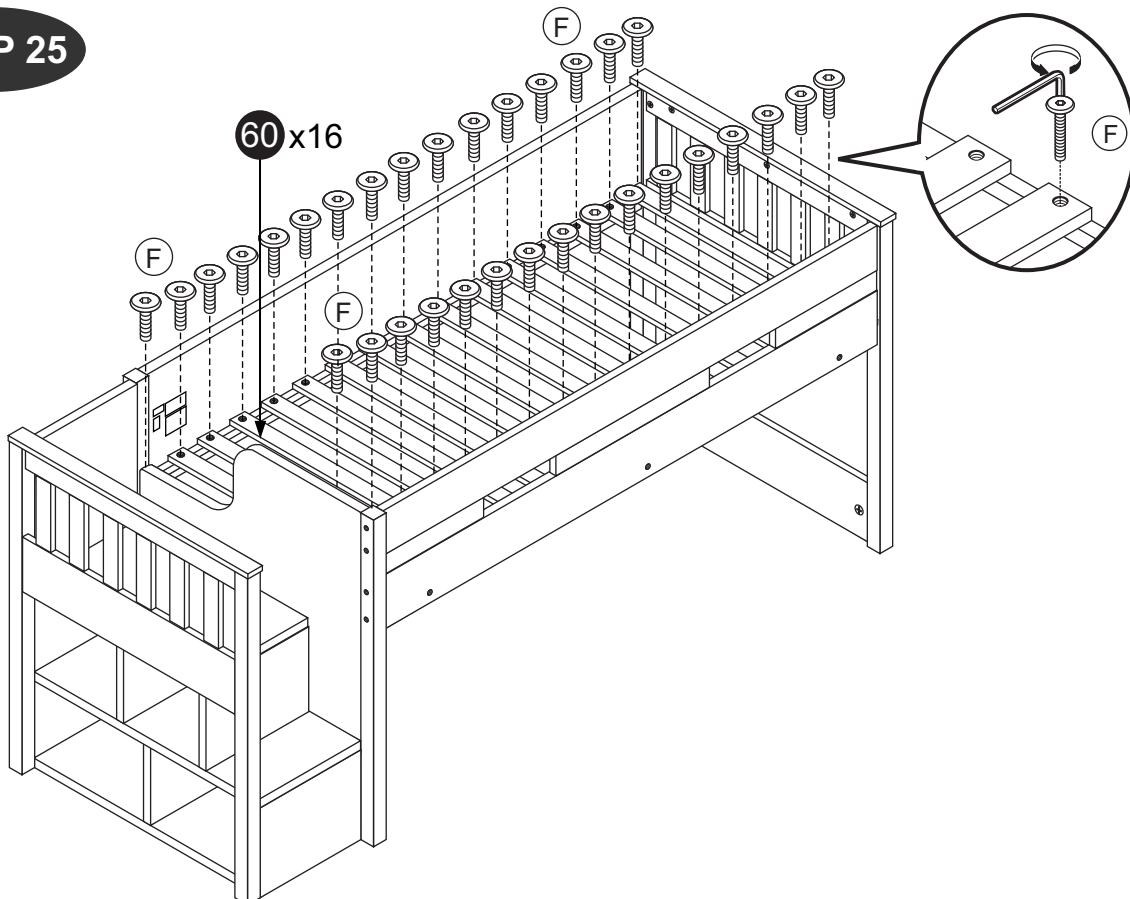
15
15

Model: CK 6216

STEP 24



STEP 25



ASSEMBLY INSTRUCTIONS

1
6

MODEL : CK 6233

PRODUCT SIZE : 900mm(L) x 596mm(W) x 700mm(H)

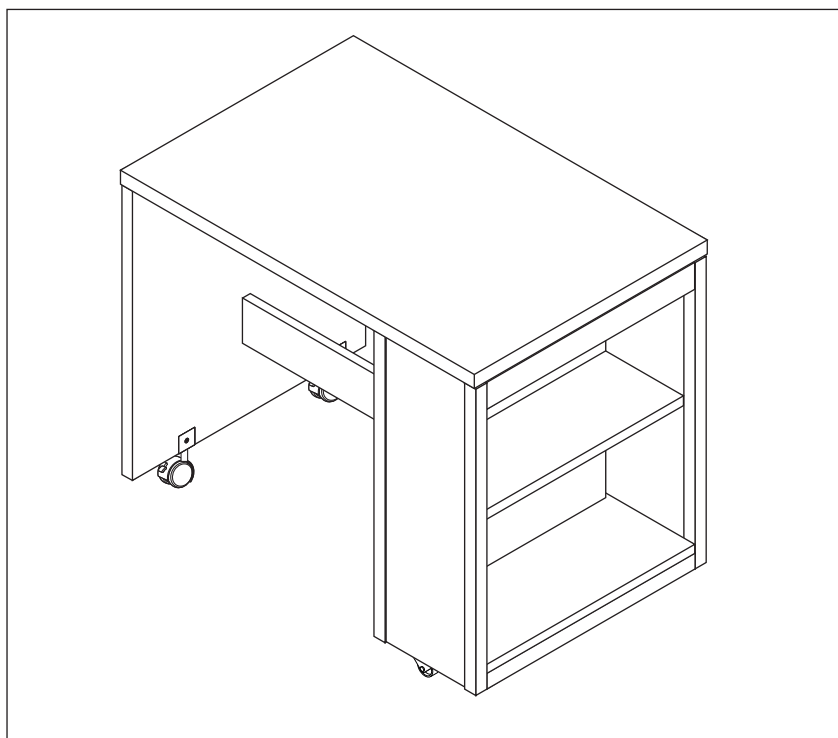
Thank you for purchasing this product. Before starting assembly we suggest you spend a short time reading through this leaflet, then follow the simple step by step guide.
Two persons are needed to assemble this product.



* Approximately 1 Hours



* 2 People Required



Ensure that you check regularly that all bolt are securely fastened and all components are in place.

If spare parts are required, contact your dealer. Do not use substitute part.

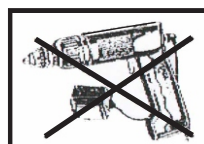
This instructions should be kept in a safe place for future reference.

Tools Required For Assembly



Philips Screw Driver

Tools Not Use



DO NOT USE POWER TOOLS TO ASSEMBLE THIS PRODUCT. USE OF POWER TOOLS WILL INVALIDATE ANY CLAIM AND MAY DAMAGE THIS PRODUCT MAKING IT UNSAFE.














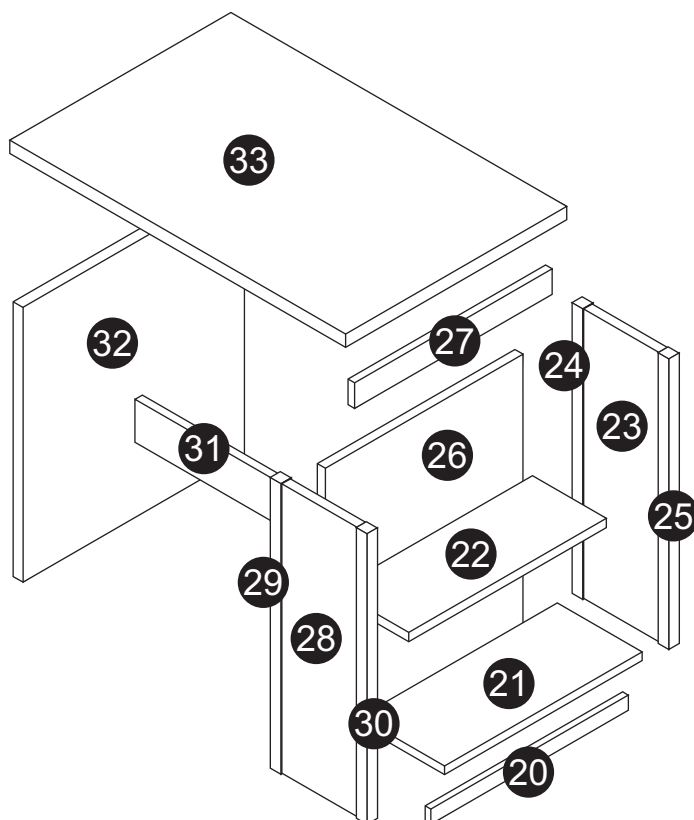
DO NOT USE HAMMER

PARTS LIST

2 6

Charlie Desk: CK 6233

Carton 1 of 4			Hardware		
No.	Part Name	Pcs	No.	Part Name	Pcs
⑳	PLINTH PANEL (DESK)	1	Ⓐ	Cam 	28
㉑	BOTTOM PANEL (DESK)	1	Ⓑ	Cam Stud (5137) 	28
㉒	CENTER PANEL (DESK)	1	Ⓒ	M8 x 25mm Wood Dowel 	48
㉓	RIGHT PANEL (DESK)	1	Ⓓ	15mm Chipboard Screw 	4
㉔	RIGHT POST BACK (DESK)	1	Ⓔ	M6 x 25mm Allen Bolt 	2
㉕	RIGHT POST FRONT (DESK)	1	Ⓕ	40mm Plate Nylon Caster 	2
㉖	BACK PANEL (DESK)	1	Ⓖ	16.5mm U Shape PP Caster 	2
㉗	FRONT PANEL (DESK)	1	Ⓗ	M6 Cap Nut 	2
㉘	LEFT PANEL (DESK)	1	Ⓙ	Spanar 	1
㉙	LEFT POST BACK (DESK)	1	Ⓚ	Sticker (Extra 1 pcs) 	8
㉚	LEFT POST FRONT (DESK)	1	Ⓛ	M6 Allen Wrench 	1
㉛	CENTER SUPPORT PANEL (DESK)	1			
㉜	BACK PANEL (DESK)	1			
㉝	TOP PANEL (DESK)	1			
FITTING LIST					



CAUTION

There are many small components used in the construction of this unit. These loose items should be kept away from young children whilst assembling your unit. As an extra precaution, screw cover caps should be permanently fixed in position. (Where applicable)

USEFUL HINTS & TIPS

Two people will be required to assemble this unit

Please keep this assembly instruction for future reference

GUIDE TO ASSEMBLY

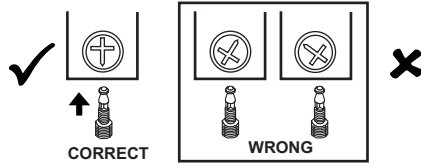
3
6

Model: CK 6233

STEP 1

WHEN FITTING CAMS

ENSURE STARTING POSITION IS CORRECT
BEFORE YOU INSERT CONNECTING BOLT
TURN CLOCKWISE UNTIL SECURE



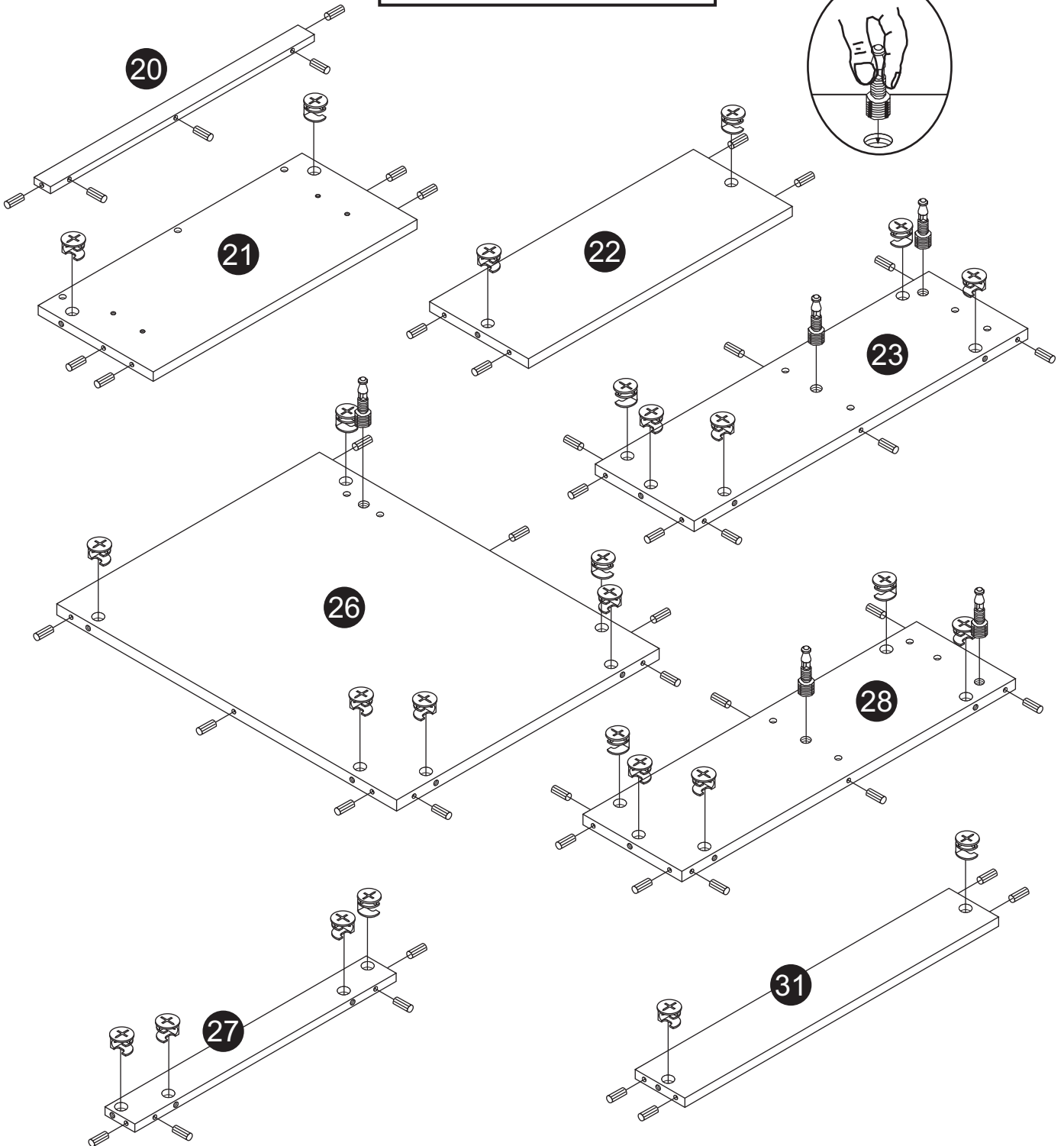
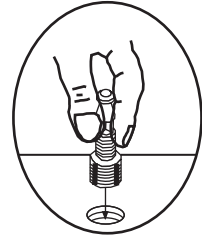
B x 5



A x 26



C x 45



GUIDE TO ASSEMBLY

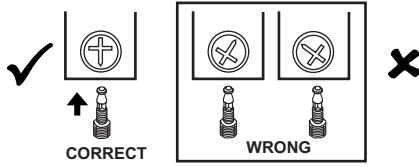
4
6

Model: CK 6233

STEP 2

WHEN FITTING CAMS

ENSURE STARTING POSITION IS CORRECT
BEFORE YOU INSERT CONNECTING BOLT
TURN CLOCKWISE UNTIL SECURE



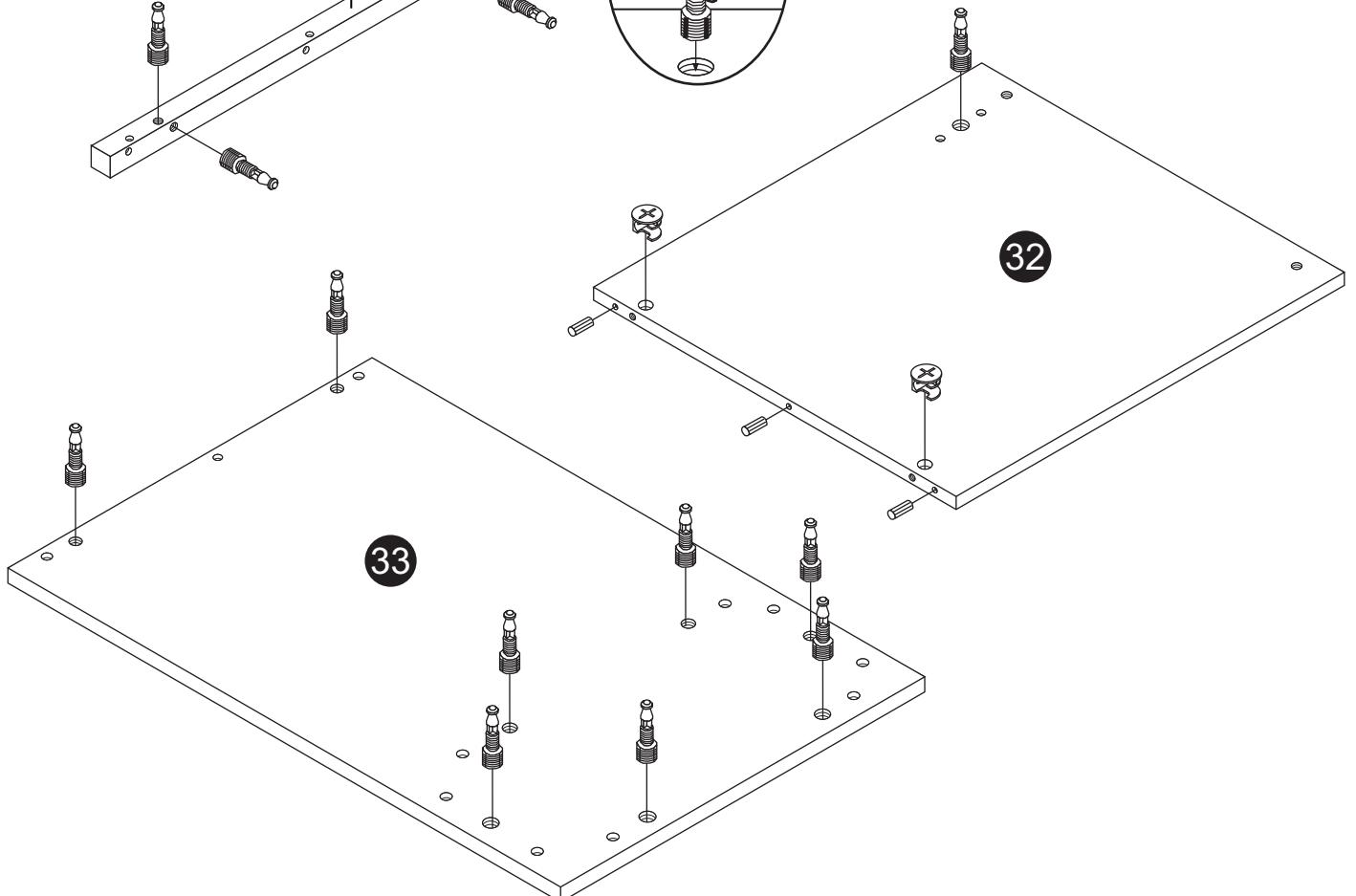
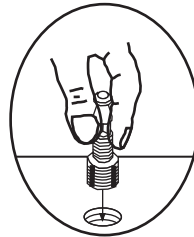
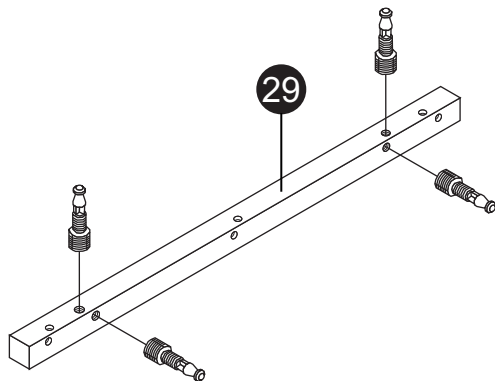
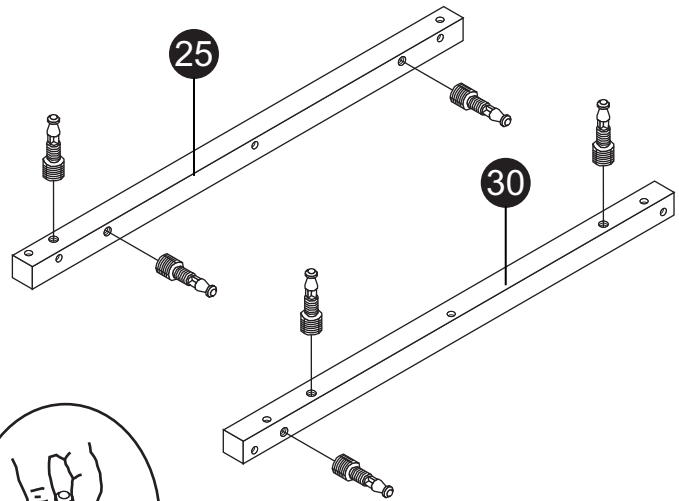
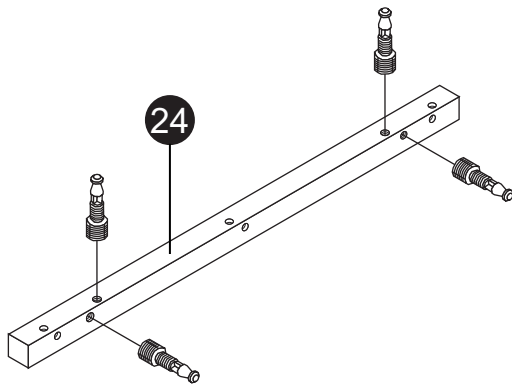
B x 23



A x 2



C x 3



GUIDE TO ASSEMBLY

5
6

Model: CK 6233

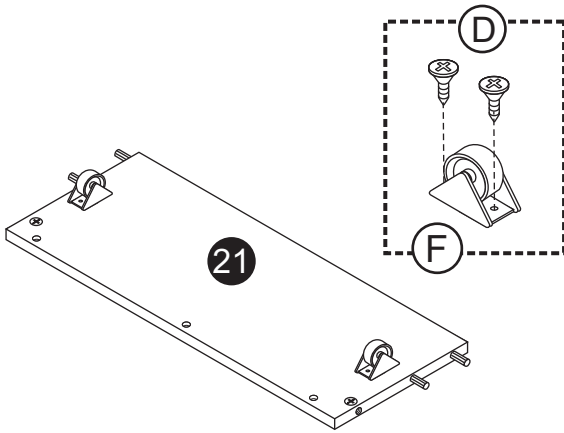
STEP 3



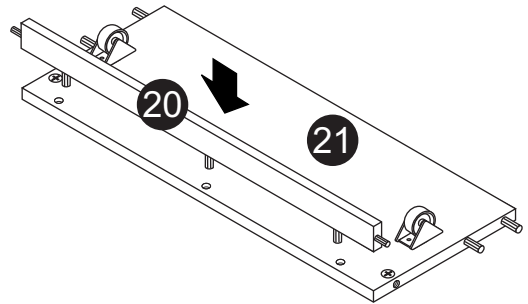
D x 4



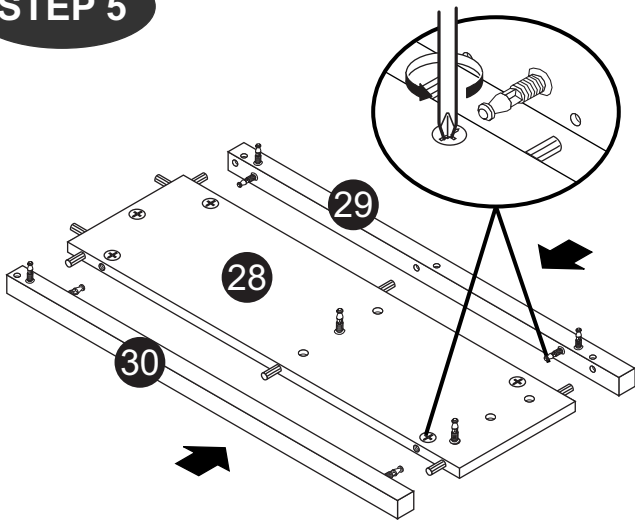
F x 2



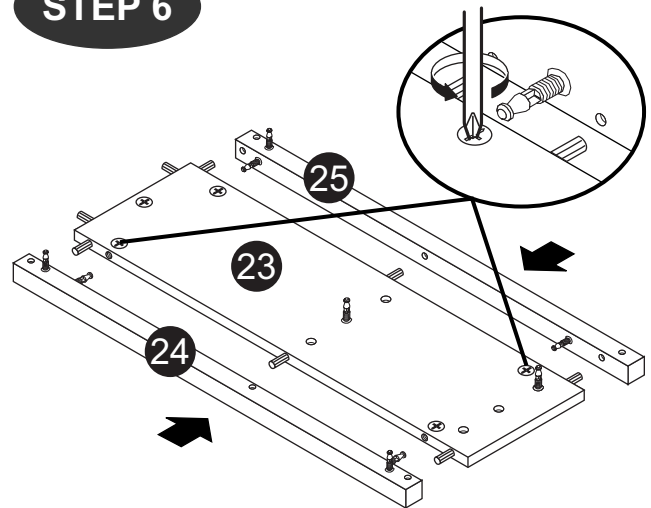
STEP 4



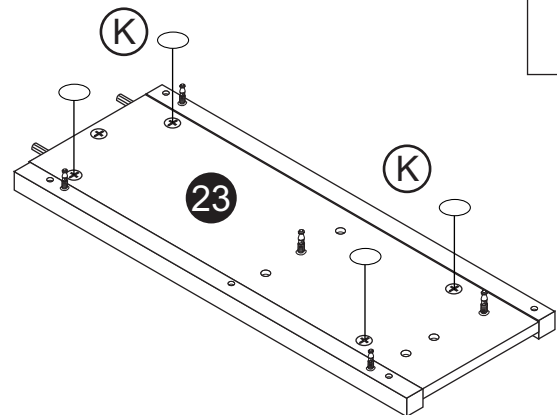
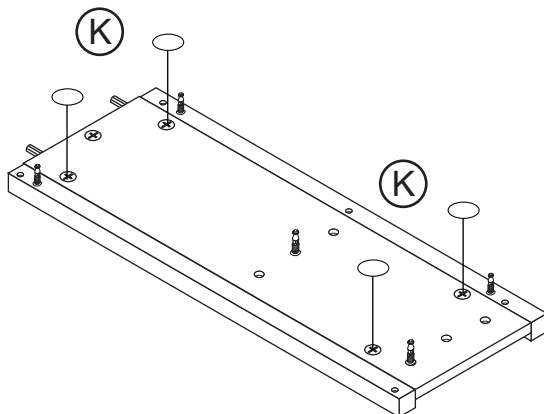
STEP 5




STEP 6



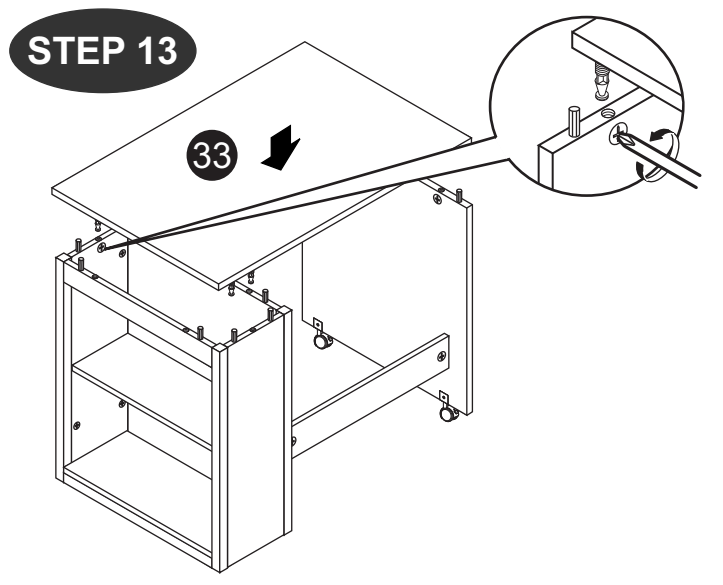
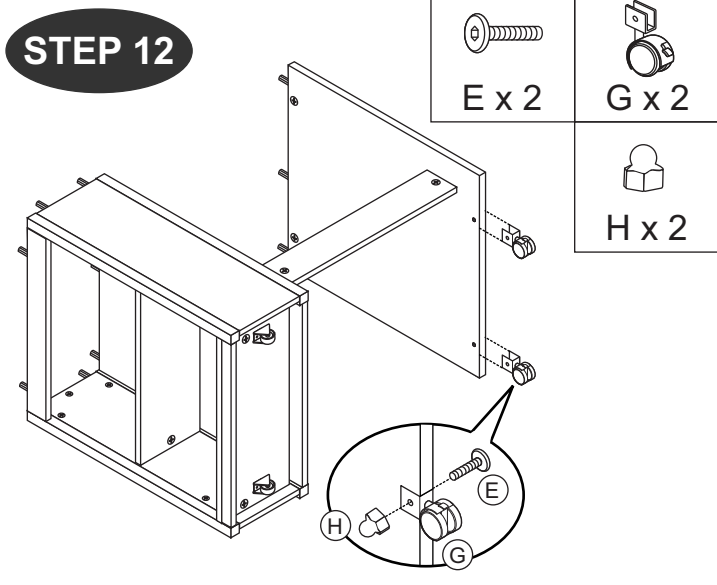
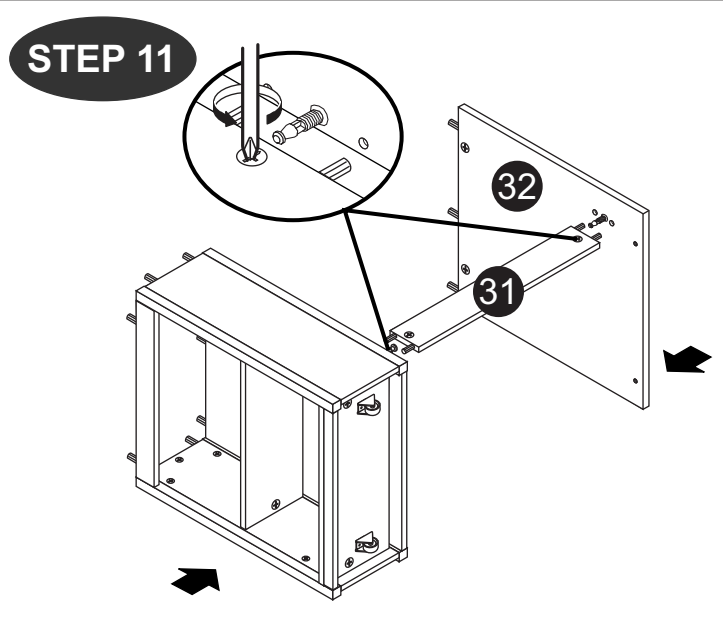
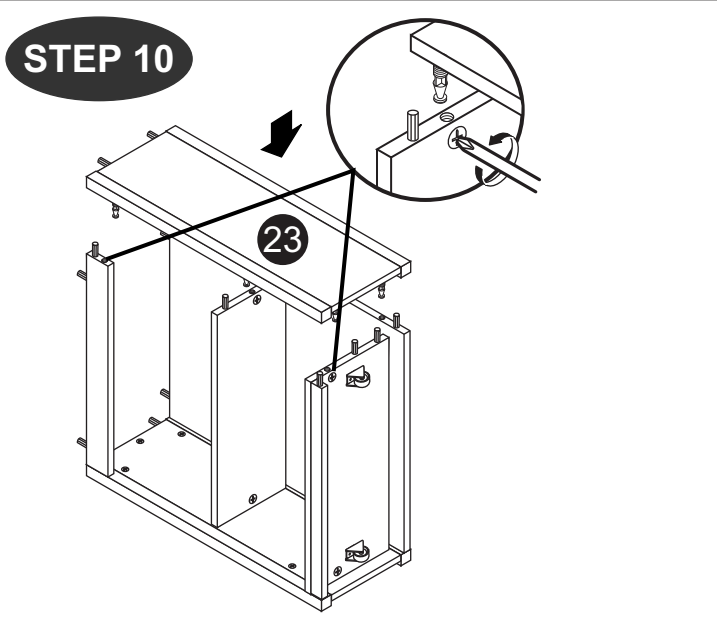
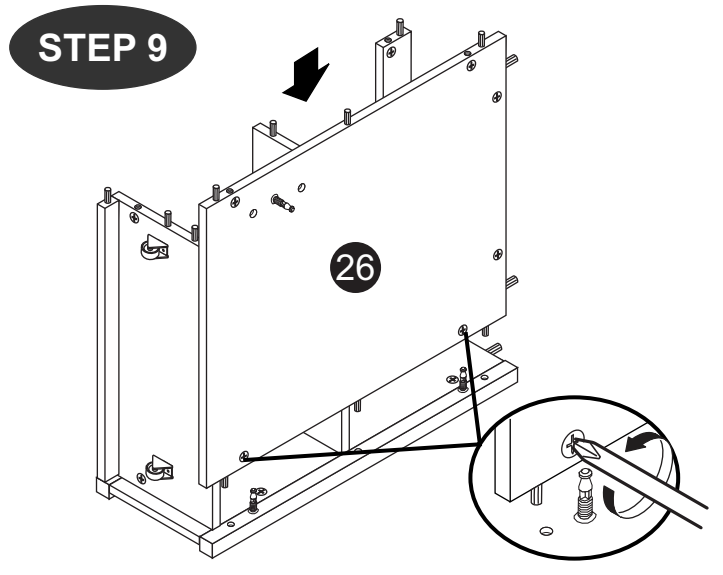
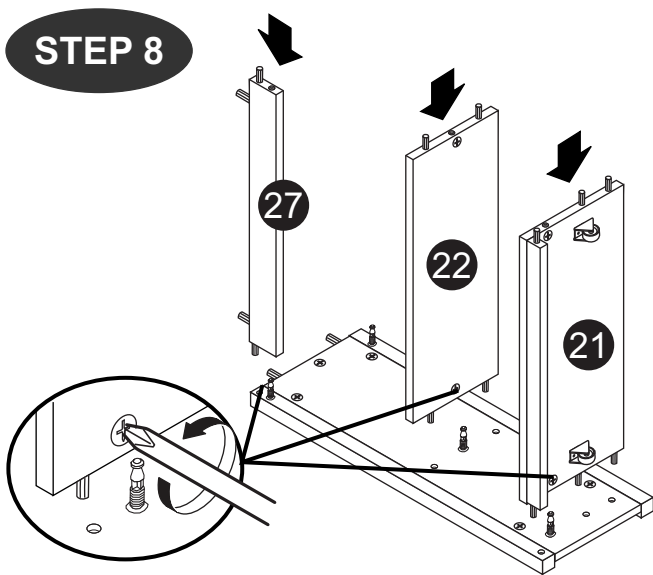
STEP 7




K x 8

GUIDE TO ASSEMBLY

Model: CK 6233



ASSEMBLY INSTRUCTIONS

1
9

CHARLIE Storage Unit : CK 6232
PRODUCT SIZE : 1186mm(L) x 424mm(W) x 700mm(H)

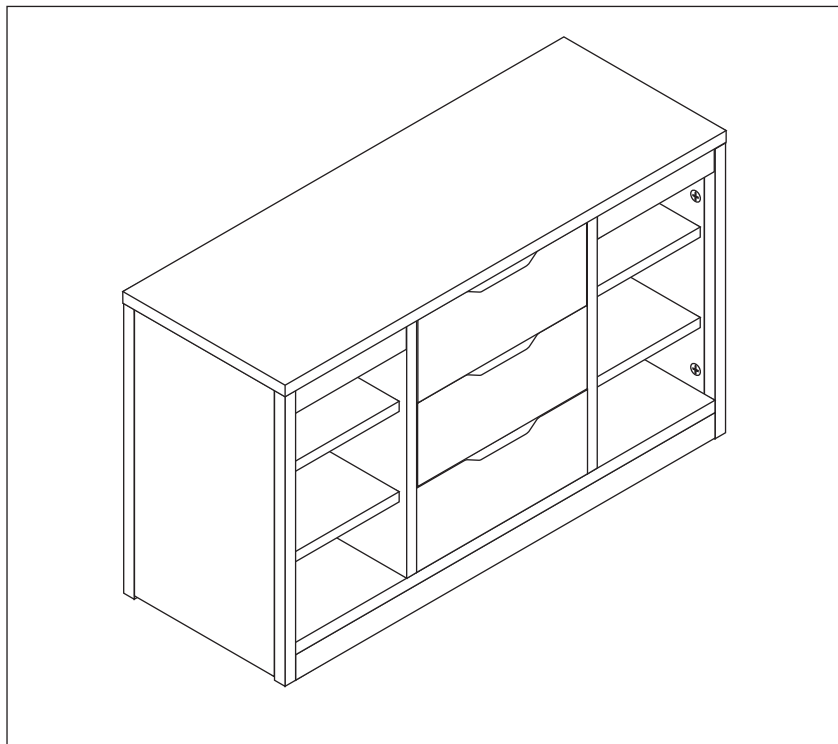
Thank you for purchasing this product. Before starting assembly we suggest you spend a short time reading through this leaflet, then follow the simple step by step guide.
Two persons are needed to assemble this product.



* Approximately 1 Hours



* 2 People Required



Ensure that you check regularly that all bolt are securely fastened and all components are in place.

If spare parts are required, contact your dealer. Do not use substitute part.

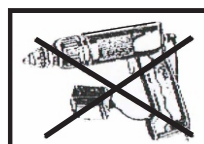
This instructions should be kept in a safe place for future reference.

Tools Required For Assembly



Philips Screw Driver

Tools Not Use



DO NOT USE POWER TOOLS TO ASSEMBLE THIS PRODUCT. USE OF POWER TOOLS WILL INVALIDATE ANY CLAIM AND MAY DAMAGE THIS PRODUCT MAKING IT UNSAFE.



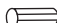







DO NOT USE HAMMER

PARTS LIST

2 / 9

CHARLIE Storage Unit CK 6232

Carton 1 of 1			Hardware		
No.	Part Name	Pcs	No.	Part Name	Pcs
①	PLINTH PANEL (CABINET)	1	Ⓐ	Cam 	46
②	BOTTOM PANEL (CABINET)	1	Ⓑ	Cam Stud (5137) 	46
③	CENTER PANEL (CABINET)	1	Ⓒ	M8 x 25mm Wood Dowel 	67
④	CENTER PANEL (CABINET)	1	Ⓓ	15mm Chipboard Screw 	30
⑤	CENTER PANEL (CABINET)	4	Ⓔ	38mm Chipboard Screw 	12
⑥	FRONT PANEL (CABINET)	2	Ⓕ	45mm Chipboard Screw 	4
⑦	LEFT PANEL (CABINET)	1	Ⓖ	14" Drawer Slide 	3set
⑧	LEFT POST BACK (CABINET)	1	Ⓗ	Sticker (Extra 1 pcs) 	8
⑨	LEFT POST FRONT (CABINET)	1			
⑩	RIGHT PANEL (CABINET)	1			
⑪	RIGHT POST BACK (CABINET)	1			
⑫	RIGHT POST FRONT (CABINET)	1			
⑬	BACK PANEL (CABINET)	1			
⑭	TOP PANEL (CABINET)	1			
⑮	BACK PANEL (DRAWER)	3			
⑯	LEFT PANEL (DRAWER)	3			
⑰	RIGHT PANEL (DRAWER)	3			
⑱	BOTTOM PANEL (DRAWER)	3			
⑲	FRONT PANEL (DRAWER)	3			

CAUTION

There are many small components used in the construction of this unit. These loose items should be kept away from young children whilst assembling your unit. As an extra precaution, screw cover caps should be permanently fixed in position. (Where applicable)

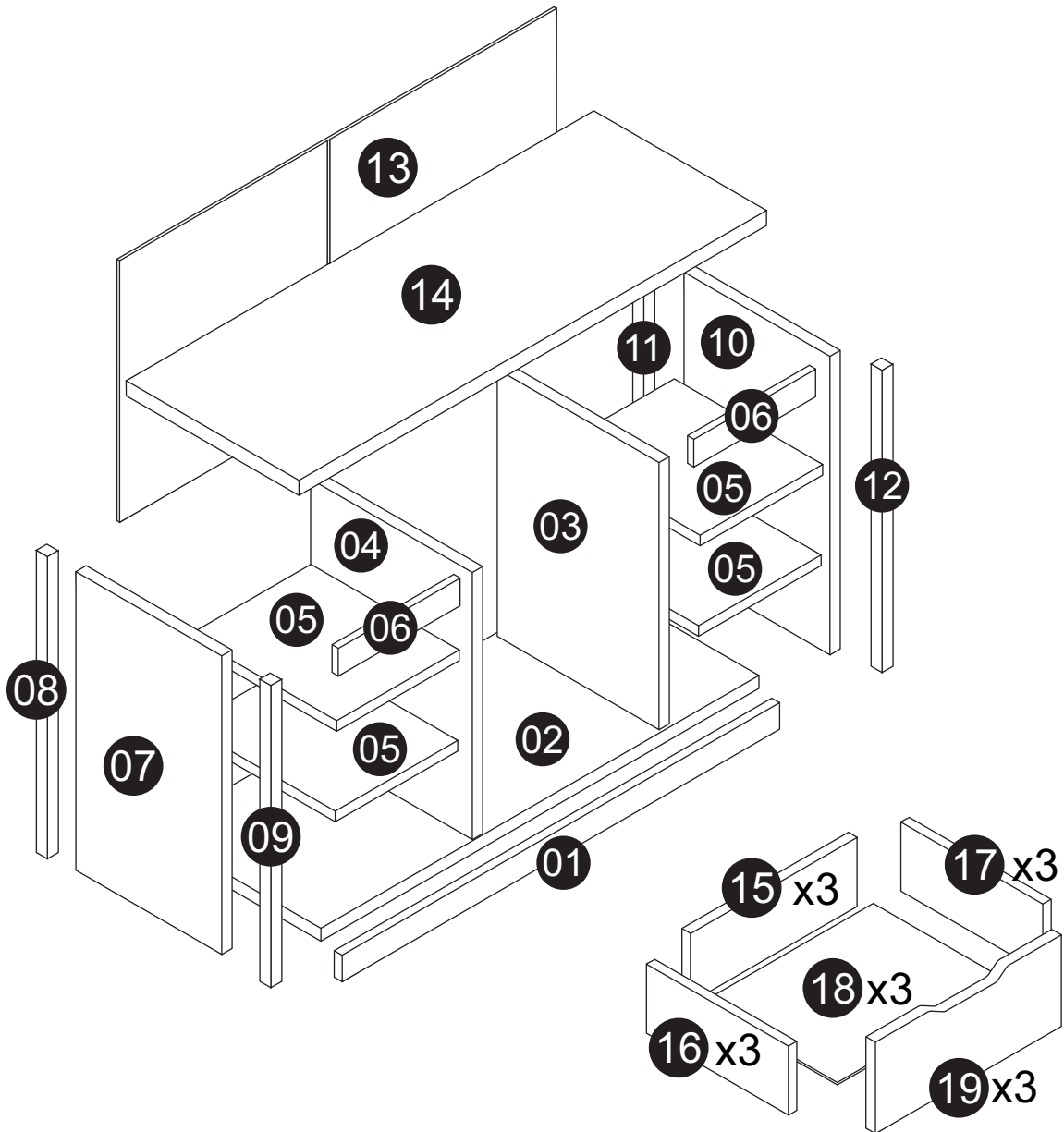
USEFUL HINTS & TIPS

Two people will be required to assemble this unit

Please keep this assembly instruction for future reference

PARTS LIST

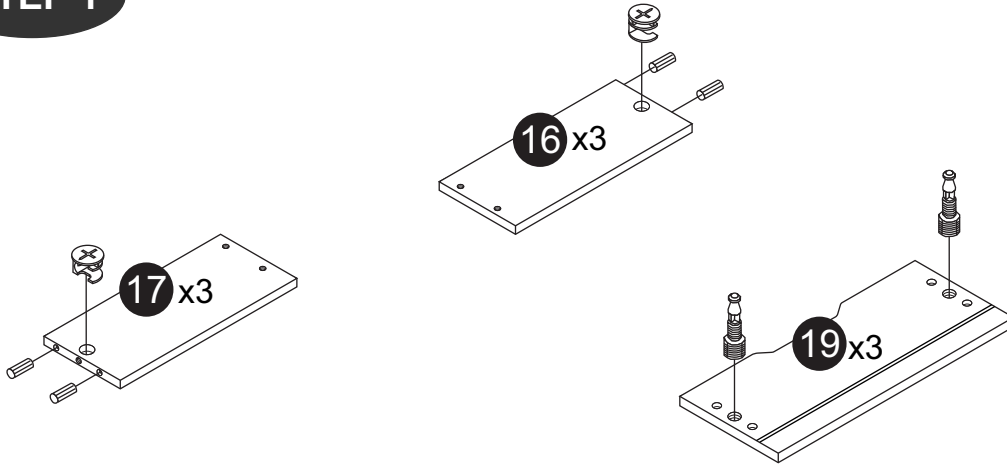
Model: CK 6232



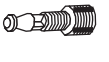
GUIDE TO ASSEMBLY

Model: CK 6232

STEP 1



A x 6

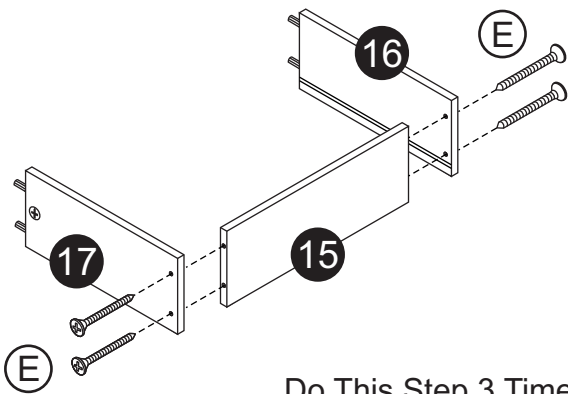


B x 6



C x 12

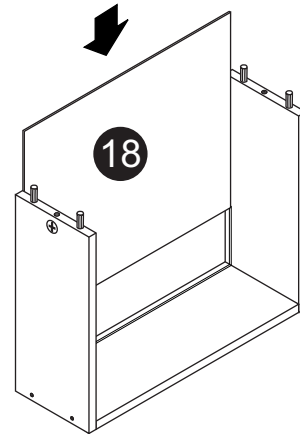
STEP 2



E x 12

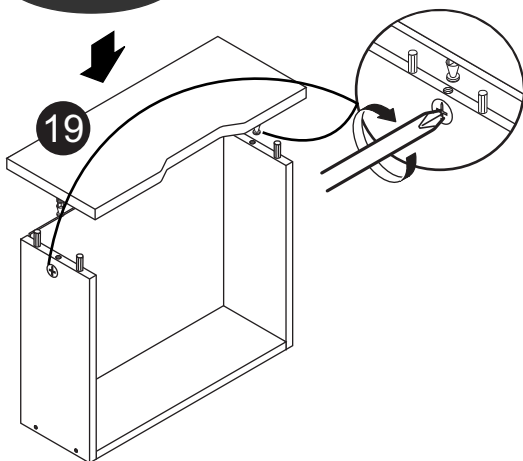
Do This Step 3 Times

STEP 3



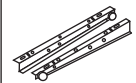
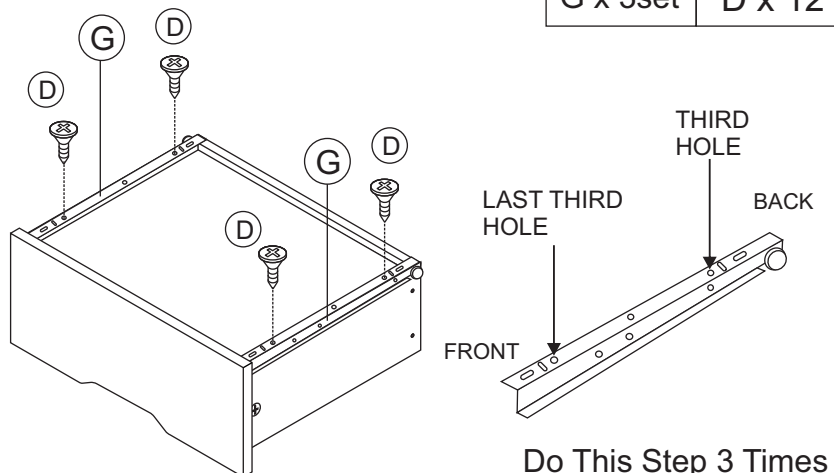
Do This Step 3 Times

STEP 4



Do This Step 3 Times

STEP 5



G x 3set



D x 12

Do This Step 3 Times

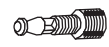
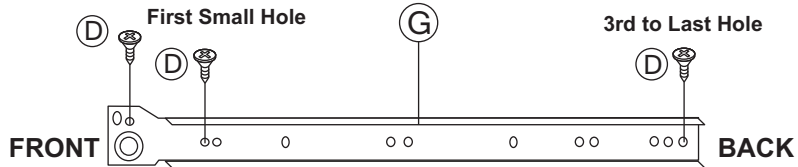
GUIDE TO ASSEMBLY

5
9

Model: CK 6232

STEP 6

To Assembly the Drawer Slide, Please Follow Step as Below



B x 10



A x 28



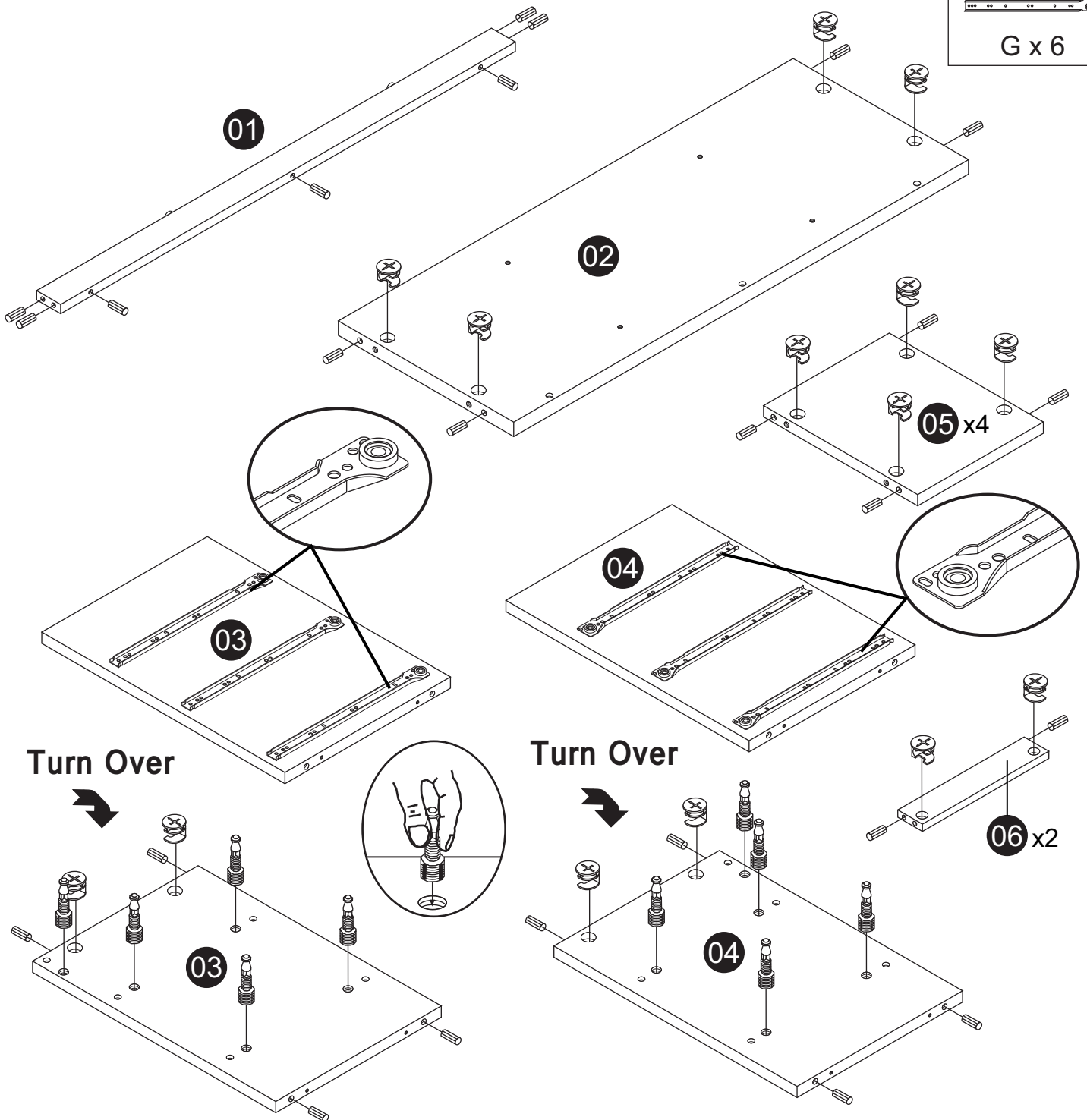
D x 18



C x 39



G x 6



GUIDE TO ASSEMBLY

Model: CK 6232

STEP 7



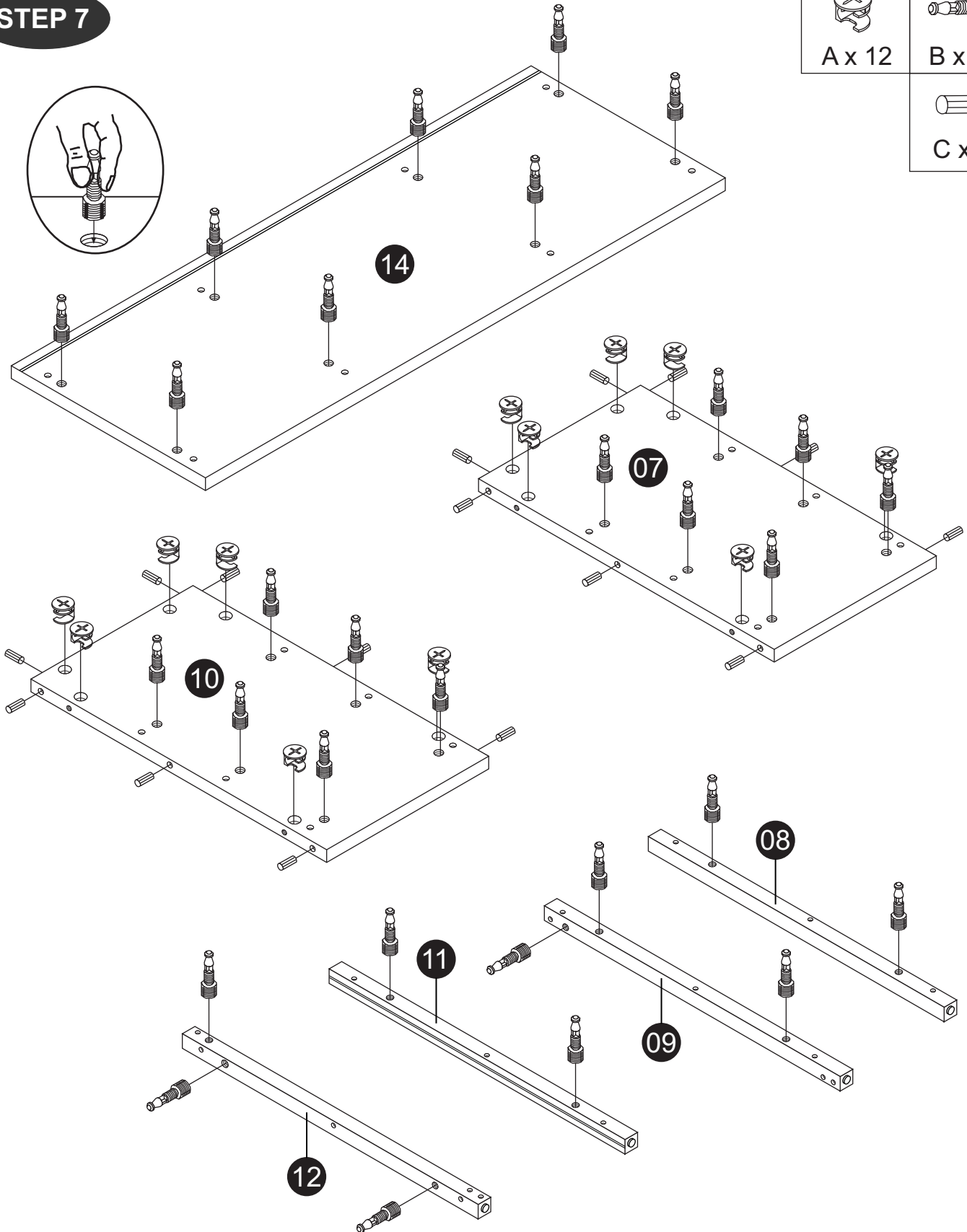
A x 12



B x 30



C x 16

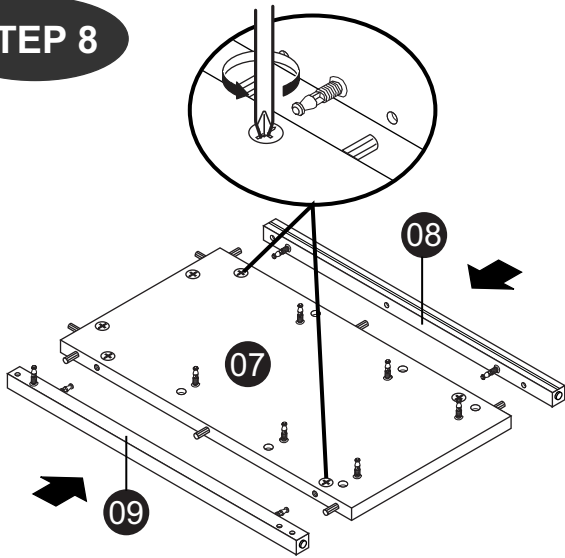


GUIDE TO ASSEMBLY

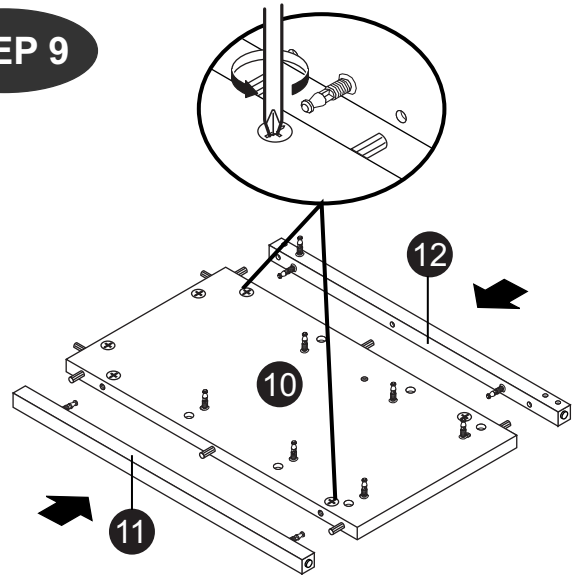
Model:

CK 6232

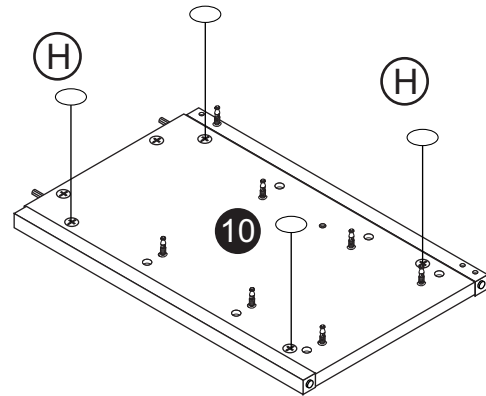
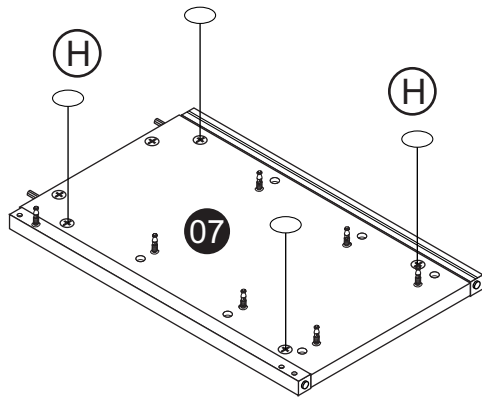
STEP 8



STEP 9

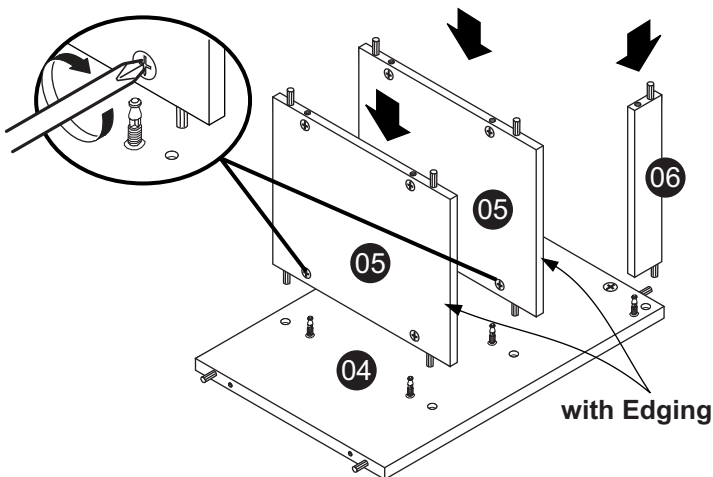


STEP 10

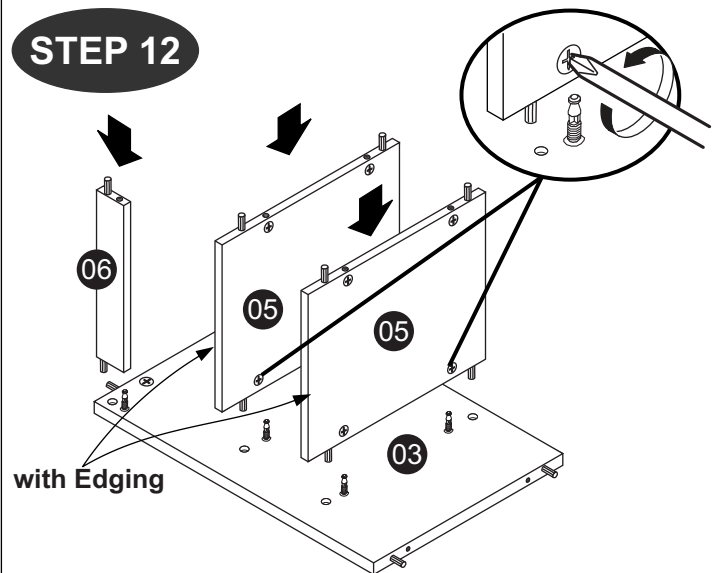


H x 8

STEP 11



STEP 12

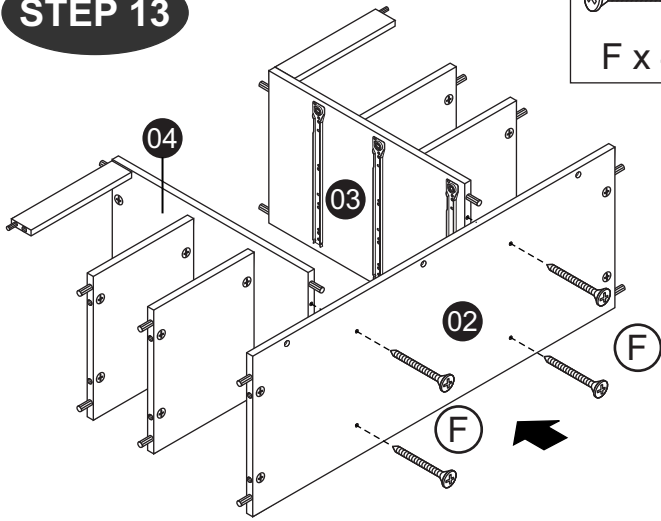


GUIDE TO ASSEMBLY

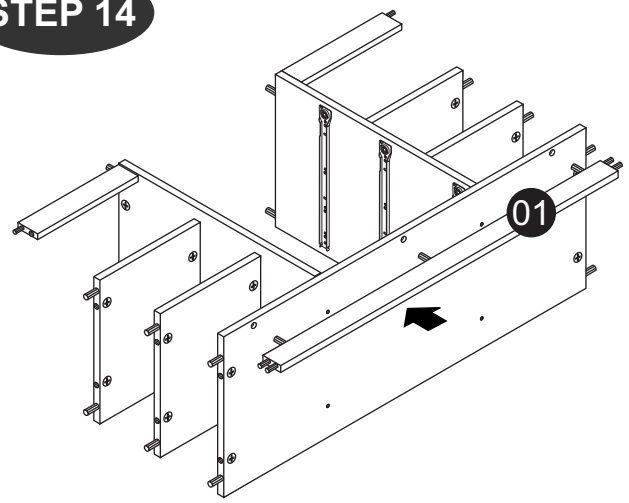
8
9

Model: CK 6232

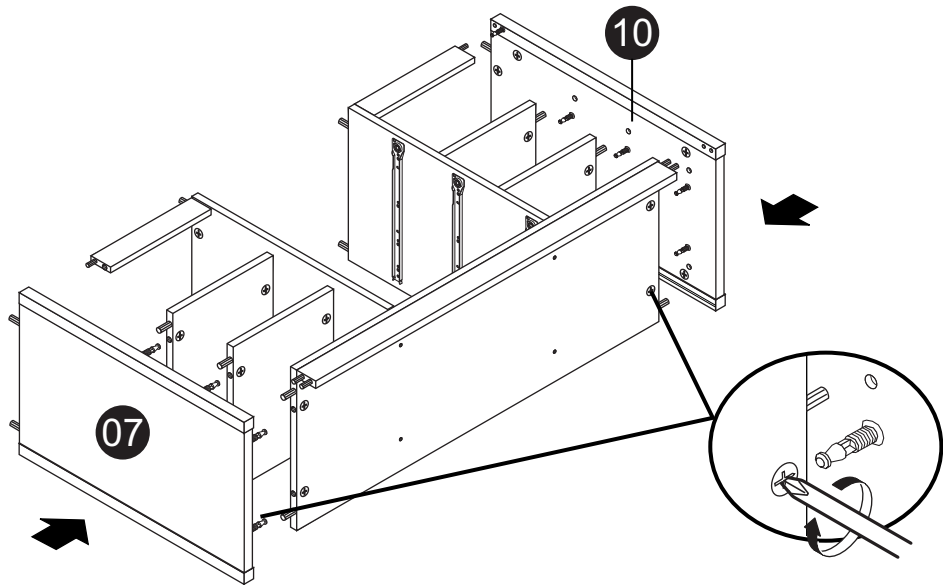
STEP 13



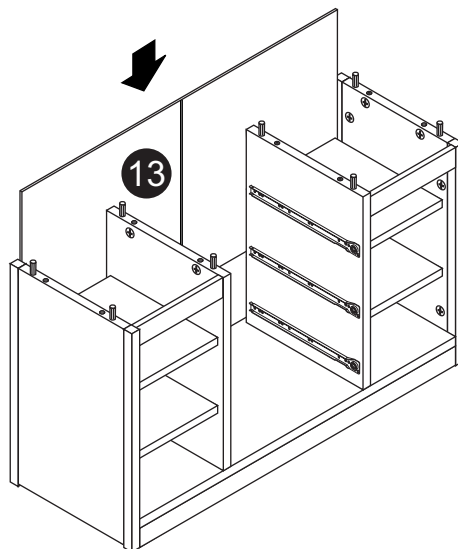
STEP 14



STEP 15



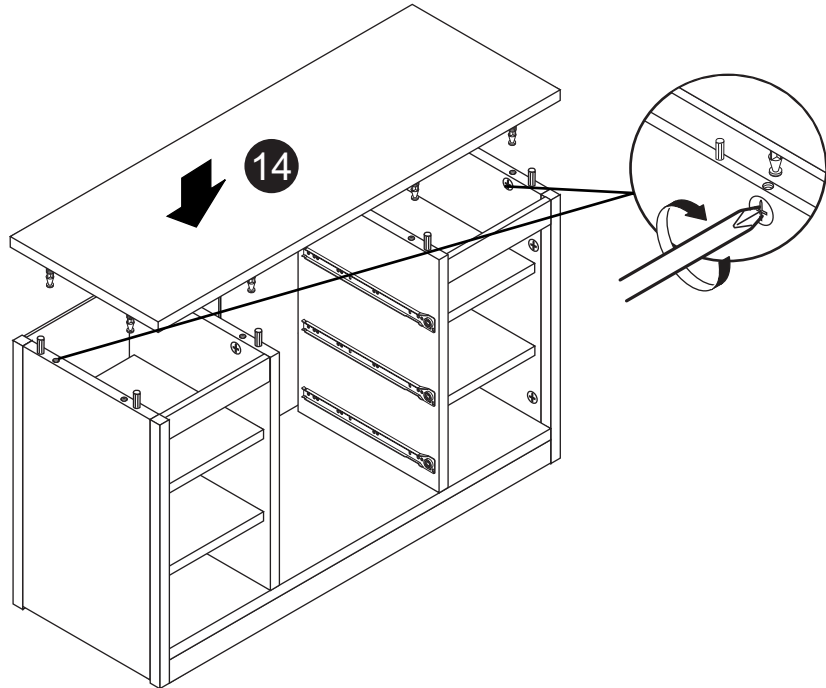
STEP 16



GUIDE TO ASSEMBLY

Model: CK 6232

STEP 17



STEP 18

