



GHOST BOX
WIRELESS CONTROL

Model No. GB538825



IMPORTANT SAFETY INFORMATION

- SAVE THESE INSTRUCTIONS – This manual contains important safety and operating instructions.
- Before using this product, read all instructions and cautionary markings.
- Use of an accessory outside of amp rating could result in fire, electric shock or failure. Professional installation is highly recommended.
- Avoid direct exposure to rain, moisture or snow.
- Do not operate the Ghost Box if it damaged in any way - replace it immediately.
- To reduce risk of damage or electric shock, disconnect the Ghost Box from the vehicle battery before attempting any maintenance or cleaning. Turning off controls will not reduce this risk.



info@projectxoffroad.com

(866) 294-9244

Mon-Sat 8am-5pm PST

TECHNICAL SPECIFICATIONS

Input Voltage (Nominal): 12V DC

Output Voltage (Nominal): 12V DC

Operating Voltage Range: 11.6V - 14.7V DC

Output Maximum Current: 20A @12V DC (Channel 1)
40A @12V DC (Channel 2)

Output Maximum Power: 480W @12V DC

Operating Temp: -22°F to 149°F

Storage Temp: -40°F to 185°F

Waterproof Rating: IP65

Wireless Frequency: 2.4GHz RF WiFi & Bluetooth 5.0

Wireless Range (RF WiFi): 98.4 Feet (without interference or obstruction)

Wireless Range (Bluetooth®): 33 Feet (without interference or obstruction)

Replacement Fuse: 40A Max - Standard ATC Type

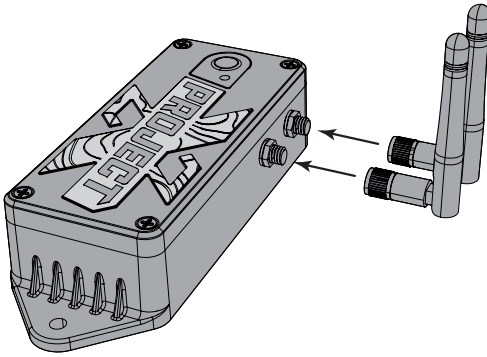
The Bluetooth® word mark and logos are registered trademarks owned by the Bluetooth SIG, Inc. and any use of such marks by ADC Solutions Offroad & Adventure, LLC is under license. Other trademarks and trade names are those of their respective owners.

INCLUDES

1x GHOST BOX

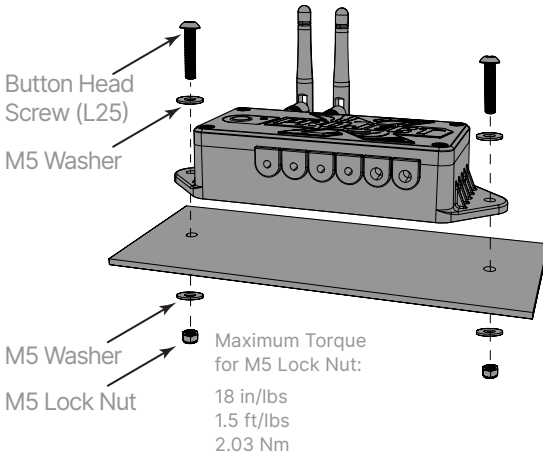
- 2x Button Head Screws (L25)
- 2x M5 Lock Nuts
- 4x M5 Washers
- 2x External Antennas
- 1x 3M VHB™ Double Sided Tape
- 2x Large Rubber Caps (Spare)
- 2x Small Rubber Caps (Spare)
- 5x PROJECT X Stickers

INSTALLATION



- Insert the External Antennas to the Ghost Box.

MOUNTING



Button Head
Screw (L25)

M5 Washer

M5 Washer
M5 Lock Nut

Maximum Torque
for M5 Lock Nut:
18 in/lbs
1.5 ft/lbs
2.03 Nm

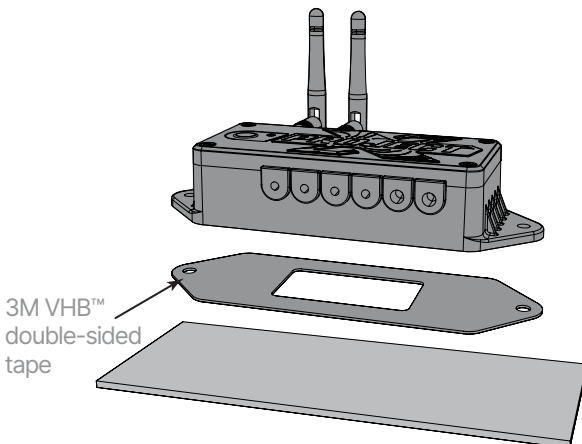
- Choose a suitable mounting location for the Ghost Box. Make sure the location is strong enough to mount the Ghost Box.

Option 1 - Mounting with screws

- Mark two holes for a precise installation and make sure nothing beneath will be damaged by drilling.
- Drill 2 pilot holes using a 13/64 inch drill bit.
- Line up the Ghost Box with the pilot holes and secure with Button Head Screws (L25), M5 Washers and M5 Lock Nuts.

NOTE: Do not exceed the maximum torque in order to avoid overtorque.

Option 2 - Mounting with 3M VHB™ double-sided tape



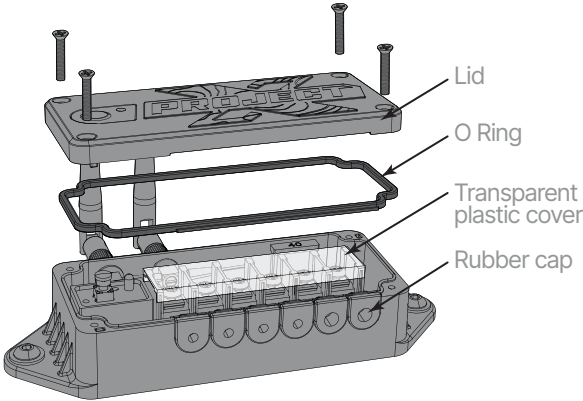
3M VHB™
double-sided
tape

- Clean the area thoroughly with isopropyl alcohol to ensure a good sticking surface.
- Attach the Ghost Box to your desired location with 3M VHB™ double-sided tape.

WIRING

OPEN THE GHOST BOX

Unscrew and open the lid of the Ghost Box. Remove the O Ring and the transparent plastic cover.

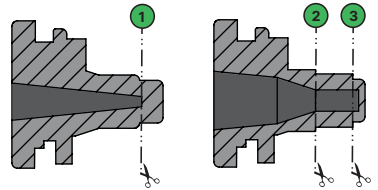


Cut the pointed head of the Rubber Caps according to the thickness of the hardwire cable.

Cut at **1** on the Small Rubber Cap for cable diameter range 1 - 3.5 mm

Cut at **3** on the Large Rubber Cap for cable diameter around 3.5 mm

Cut at **2** on the Large Rubber Cap for cable diameter range 4 - 5.5 mm

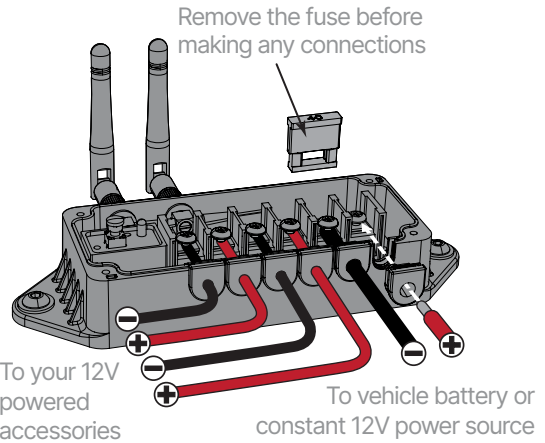


Small Rubber Cap Large Rubber Cap

WIRE CONNECTION

Refer to the illustration below and connect the hardwire cables to the Ghost Box. Re-assemble everything and close the lid.

NOTE: Hardwire cables are not included. Please refer to the below chart and choose the correct wire size according to your 12V powered accessories to prevent the Ghost Box from entering sleep mode due to "voltage drop". You can also adjust the low voltage protection settings inside the PROJECT X App.

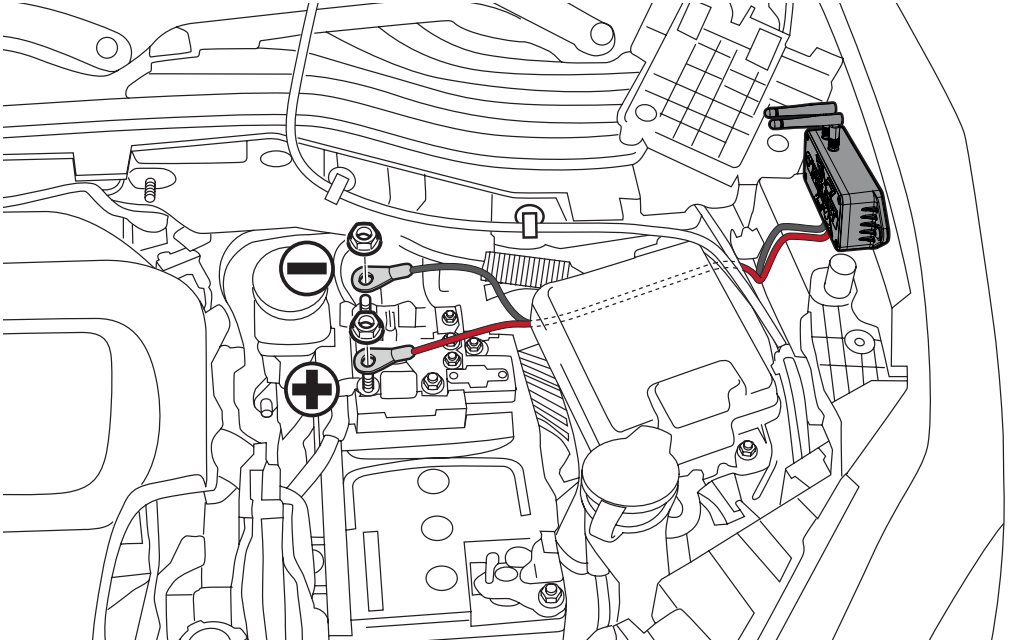


*Suggested gauge of wire for direct connection: 10 AWG

REMARK: For wire gauge under 10 AWG a terminal block connection is recommended.

		Length of wire (Feet)						
		0-4	4-7	7-10	10-15	15-20	20-25	25-30
Current (Amp)	0-5	16 AWG	16 AWG	16 AWG	16 AWG	14 AWG	12 AWG	12 AWG
	5-10	16 AWG	16 AWG	14 AWG	12 AWG	10 AWG	10 AWG	10 AWG
	10-15	14 AWG	14 AWG	12 AWG	10 AWG	10 AWG	8 AWG	8 AWG
	15-20	14 AWG	12 AWG	12 AWG	10 AWG	8 AWG	6 AWG	6 AWG
	20-25	12 AWG	10 AWG	10 AWG	8 AWG	6 AWG	6 AWG	6 AWG
	25-30	10 AWG	10 AWG	10 AWG	8 AWG	6 AWG	6 AWG	4 AWG
	30-40	8 AWG	8 AWG	8 AWG	6 AWG	6 AWG	4 AWG	4 AWG

WIRING - GHOST BOX



Ghost Box hardwire cables are color coded, **RED** for POSITIVE (+) and **BLACK** for NEGATIVE (-). Connect the **RED** cable to the POSITIVE (+) battery clamp as illustrated. The POSITIVE battery post will be slightly larger than the NEGATIVE post, and will be marked with a PLUS (+) sign. There may also be a **RED** protective cover over the positive battery post. Connect the **BLACK** cable to the NEGATIVE (-) battery clamp as illustrated. The NEGATIVE will be marked with a MINUS (-) sign. There may also be a **BLACK** plastic protective cover over the negative battery post.

Every installation is unique. This diagram is meant to be for illustrative purposes only. Professional installation is highly recommended.

NOTE:

After connecting the Ghost Box to the car battery, the LED power indicator will flash Green. If the LED power indicator does not flash once connected, please double check your power connections.

The Ghost Box has built-in voltage protection to prevent the vehicle battery from draining in case an accessory controlled by the Ghost Box is accidentally left on. LED indicator will turn off automatically and the Ghost Box will be on sleep mode when the voltage drops to approximately 12.2V. Once on sleep mode, do not turn on the Ghost Box until you start the engine again or until the battery is recharged to 13V or higher.

The Ghost Box has a small parasitic draw that will not affect your vehicle if driven regularly. If you are planning to store your vehicle or leave it non-operational for a long period of time, we recommend either hooking it up to a battery charger or removing the fuses in each Ghost Box to avoid draining the battery.

WARNING: DO NOT mix up the cables or allow the metal ends to touch together because this may damage the battery, charging system and/or electronics on your vehicle. When installing, please make sure the battery is disconnected.

BUTTON FUNCTIONS

Button Functions	BLE Status	Description	LED status and color
Press Once	Standby Mode	Ghost Box is on and providing output power	On
Press again	Standby Mode	Ghost Box turns off output power	On
Press and Hold for 3 Sec	Pairing Mode	Ghost Box enters Pairing Mode	Blinking (0.25sec.)
Press and Hold for 8 Sec	Sleep Mode	1. Ghost Box enters Sleep Mode to reduce power drainage 2. Ghost Box returns to Standby Mode when voltage is over 13V (e.g. when the engine starts)	Off
Press and Hold for 15 Sec	Reset	Ghost Box resets to factory settings	Flash Green

DOWNLOAD APP



**PROJECT X
OFF-ROAD**



Compatible with iPhone 4s and higher, iPad3, iPad Mini, iPad Air and higher, and iPod touch 5th Generation and higher. Requires iOS 9.0 or higher.



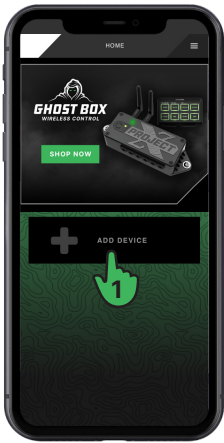
Compatible with phones with Android™ 5.0 or higher.

Scan the above QR code or search "PROJECT X Off-Road" in the App Store or Google Play. Download and install the App. Once installed, open the App and begin enjoying your PROJECT X Off-Road App.

NOTE: The App is only available on smartphones with apple iOS 9 or newer, and Android 5.0 or newer. The PROJECT X Off-Road App is not accessible from browsers or PCs.

ADD DEVICE

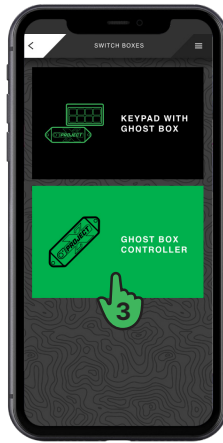
We recommend you to connect a battery charger to the vehicle during the set up and pairing process if your vehicle is not running. Follow these instructions to add the Ghost Box to the App.



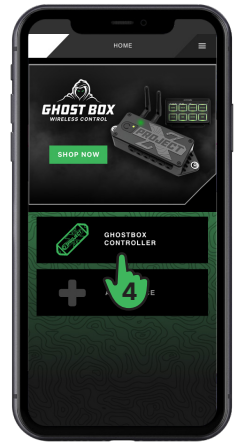
1. Tap **ADD DEVICE** on home page.



2. Tap **GHOST BOX SYSTEM**.



3. Tap **GHOST BOX CONTROLLER**.



4. Ghost Box is added to the list of device. Tap **GHOST BOX CONTROLLER** again to start customizing your 12V accessories.

NOTE: For detailed instructions on customizing your accessories with the PROJECT X Off-Road App, check out our video library at www.projectxoffroad.com.

CAUTIONS

1. Do not install or the use the product if it, in any way, impairs the safe operation of your vehicle.
2. Follow manufacturer's instructions to ensure the product is properly and safely installed.
3. Check your state or provincial laws before installing. Vehicle owner must comply with all applicable laws.
4. This product is intended solely for off-road purposes. Manufacturer and seller assume no liability for installation or use, which are solely the responsibility of the purchaser.
5. This product is not DOT approved and is designed and intended for off-road uses only.
6. The manufacturer and seller are not responsible or liable for consequential, incidental, or indirect damages, whether to person or property, resulting from the installation or improper use of this product.

▲ WARNING: This product can expose you to chemicals including Di(2-ethylhexyl) phthalate (DEHP) and Diisonyl Phthalate (DINP), which are known to the State of California to cause cancer and birth defects or other reproductive harm.

For more information go to www.P65Warnings.ca.gov.

WARRANTY

This PROJECT X product carries a 1 year warranty on Ghost Box, as referenced on the website:

www.projectxoffroad.com/pages/returns-warranty

DISCLAIMER OF WARRANTIES, INCLUDING WARRANTY OF MERCHANTABILITY AND WARRANTY OF FITNESS FOR PARTICULAR PURPOSE: EXCEPT AS SPECIFICALLY SET FORTH HEREIN, NO WARRANTY OR REPRESENTATION, EXPRESS OR IMPLIED, IS MADE AS TO THE GHOST BOX. PROJECT X AND/OR ITS AFFILIATES EXPRESSLY DISCLAIMS, WITHOUT LIMITATION, ANY STATUTORY WARRANTIES AND ALL IMPLIED WARRANTIES, INCLUDING ANY IMPLIED WARRANTY OF MERCHANTABILITY OR FITNESS FOR A PARTICULAR PURPOSE.

PROJECT X
2975 Red Hill Ave.
Ste. 100
Costa Mesa, CA 92626
USA

FCC COMPLIANCE STATEMENT

This device complies with Part 15 of the FCC rules. Operation is subject to the following two conditions:

- (1) This device may not cause harmful interference, and
- (2) this device must accept any interference received, including interference that may cause undesired operation.

WARNING: Changes or modifications to this unit not expressly approved by the party responsible for compliance could void the user's authority to operate the equipment. The manufacturer is not responsible for any radio or TV interference caused by unauthorized modifications or change to this equipment. Such modifications or change could void the user's authority to operate the equipment.

NOTE: This equipment has been tested and found to comply with the limits for a Class B digital device, pursuant to part 15 of the FCC Rules. These limits are designed to provide reasonable protection against harmful interference in a residential installation. This equipment generates, uses and can radiate radio frequency energy and, if not installed and used in accordance with the instructions, may cause harmful interference to radio communications. However, there is no guarantee that interference will not occur in a particular installation. If this equipment does cause harmful interference to radio or television reception, which can be determined by turning the equipment off and on, the user is encouraged to try to correct the interference by one or more of the following measures:

- Reorient or relocate the receiving antenna.
- Increase the separation between the equipment and the receiver.
- Connect the equipment into an outlet on a circuit different from that to which the receiver is connected.
- Consult the dealer or an experienced radio/TV technician for help.

This equipment complies with FCC RF radiation exposure limits set forth for an uncontrolled environment. In order to avoid the possibility of exceeding the FCC radio frequency exposure limits, human proximity to the antenna shall not be less than 20cm during normal operation.