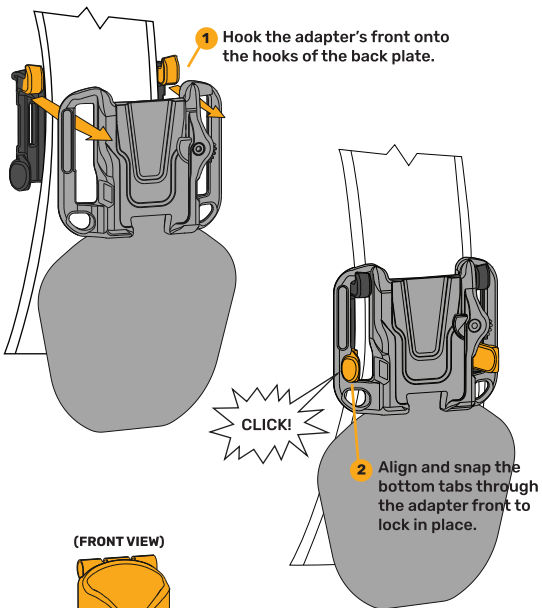


HOW TO:

ATTACH BACKPACK ADAPTER & INSERT CAMERA HOLSTER



(FRONT VIEW)

(BACK VIEW)

- 3 Slide the holster into the backpack adapter. It will lock into place.

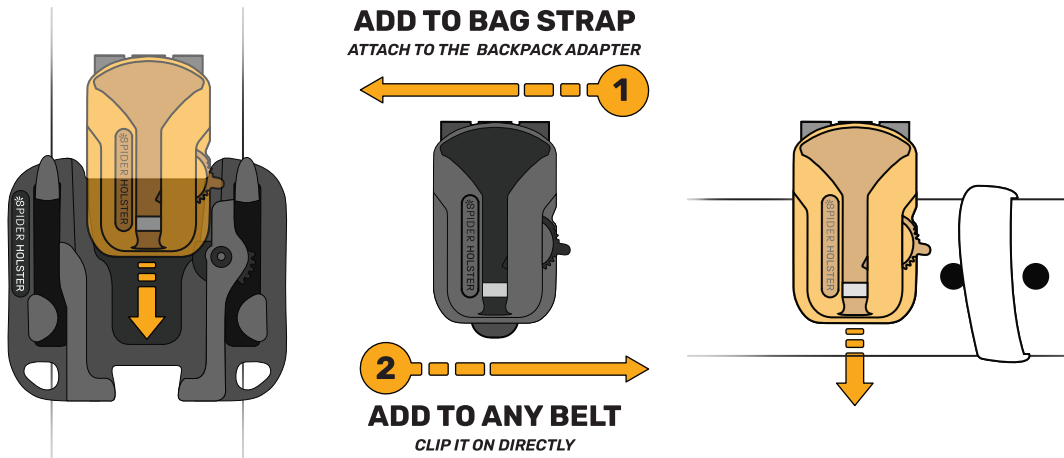
NOTE:
The camera holster's clip **MUST** slide behind the backpack adapter.



YOU CAN EASILY SWITCH THE CAMERA HOLSTER FROM THE BACKPACK ADAPTER TO YOUR BELT IN SECONDS.

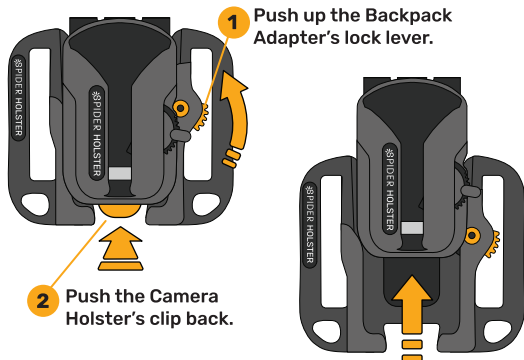
ADD TO BAG STRAP

ATTACH TO THE BACKPACK ADAPTER



HOW TO:

REMOVE CAMERA HOLSTER FROM BACKPACK ADAPTER



- 3 The Camera Holster can now be removed so you can attach it to a belt.

UNLOCKED
(QUICK ACCESS)

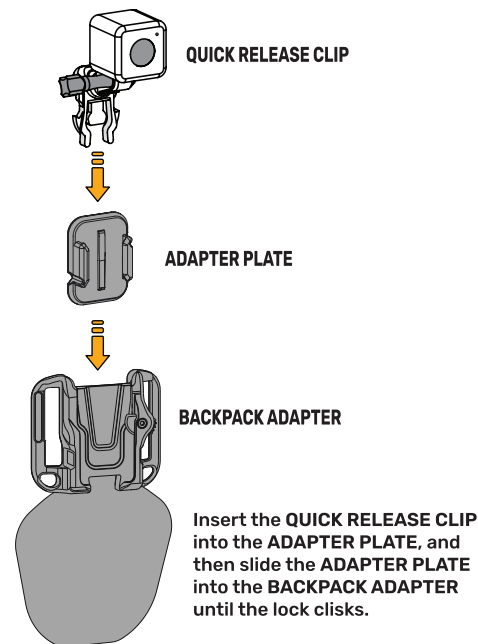
LOCKED
(SELF LOCKING)

HOW TO USE THE CAMERA HOLSTER LOCK

FOR QUICK-DRAW ACCESS, LEAVE THE HOLSTER IN THE "UNLOCKED" POSITION.

HOW TO:

INSTALL THE GOPRO ADAPTER



WARRANTY INFORMATION

Spider Gear LLC, ("Spider Gear") warrants these products against defects in material or workmanship for a period of (1) year from the original purchase of the product. Pursuant to this Limited Warranty, Spider Gear will, at its option, (i) repair the product using new or refurbished parts or (ii) replace the product with a new or refurbished product. In the event of a defect, these are your exclusive remedies. For purposes of this Limited Warranty, "refurbished" means a product or part that has been returned to its original specifications. The warranty provided is for repair or replacement of the product only. Any parts or products replaced under this Limited Warranty will be the property of Spider Gear.

LIMITATIONS ON DAMAGES:

Spider Gear shall not be liable for any direct, indirect, incidental, special, or consequential damages for breach of any express or implied warranty or contract or tort claim on this product.

Register your purchase and activate your limited lifetime warranty at:
<https://www.spiderholster.com/register>

Our warranty can be found at:
<https://www.spiderholster.com/warranty>

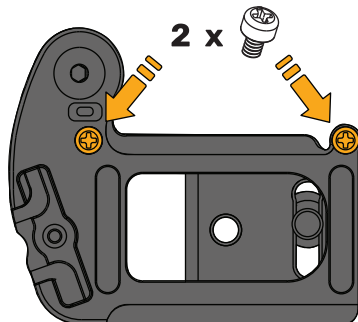
U.S. AND INTERNATIONAL PATENTS PENDING
COPYRIGHT ©2020 SPIDER GEAR LLC.
ALL RIGHTS RESERVED.

Improper installation and use of this product will void your warranty. For instructions on how to properly carry your camera on our products, see the front panel "HOW TO: PROPERLY CARRY YOUR CAMERA ON THE SPIDER X HOLSTER."

HOW TO:

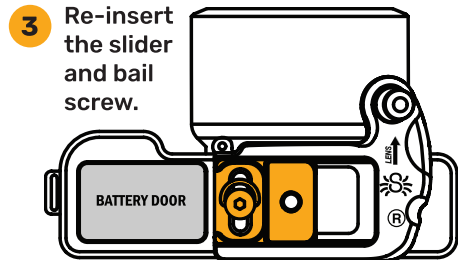
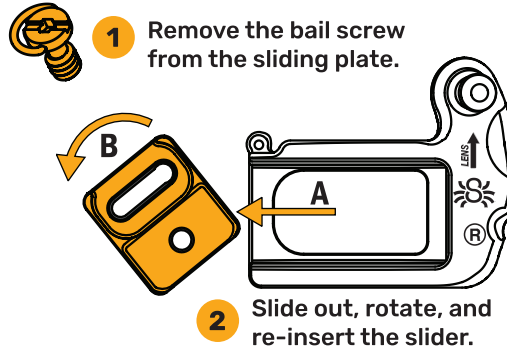
ATTACH CAMERA PLATE TO A LARGER BODIED CAMERA

For small DSLR'S and MIRRORLESS CAMERAS WITH BATTERY GRIPS, remove the two screws as shown:

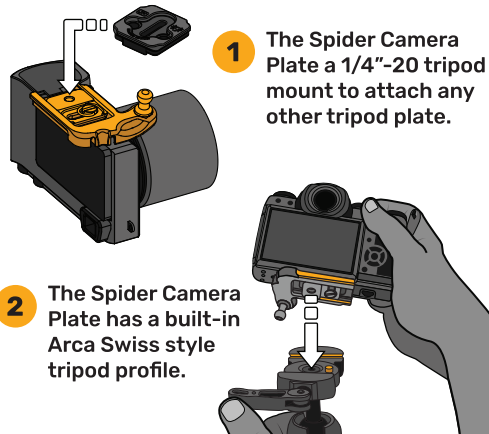


HOW TO:

ATTACH THE CAMERA PLATE TO A CAMERA THAT HAS THE TRIPOD MOUNT CLOSE TO THE BATTERY DOOR

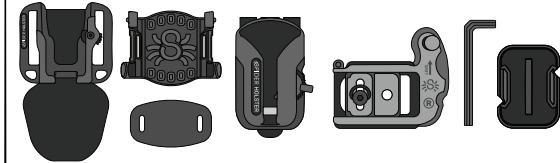


TRIPOD COMPATIBILITY



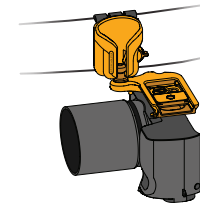
SPIDER CAMERA HOLSTER

SPIDER X
HOLSTER SET / BACKPACKER KIT INSTRUCTIONS

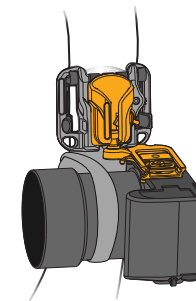


HOW TO:

PROPERLY CARRY YOUR CAMERA ON THE SPIDER X HOLSTER



ON THE BELT
The camera should be carried upside down, with the lens facing towards the back.



ON A BAG STRAP
The camera should be carried upside down, with the lens facing towards your chest, with the security strap securing the lens to the adapter pad.

DISCLAIMER:

WARNING! IMPROPER INSTALLATION AND USE OF THIS PRODUCT WILL VOID YOUR WARRANTY.

WEIGHT LIMIT = 3.5 LBS / 1.5 KG