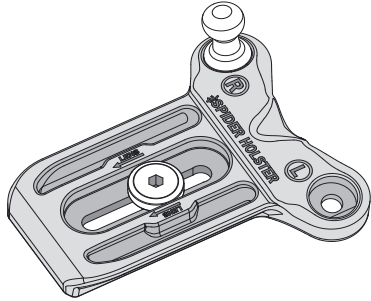


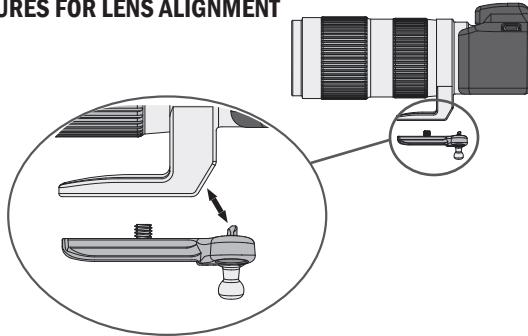
LENS COLLAR PLATE (INCLUDED WITH DUAL CAMERA SYSTEMS)

LENS COLLAR PLATE (LCP)

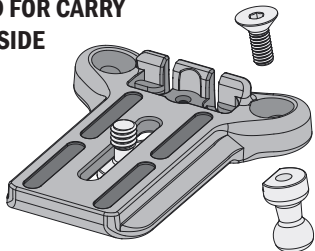
- DESIGNED FOR LONG ZOOM LENSES WITH LENS COLLARS
- COMPATIBLE WITH ARCA SWISS™ STYLE TRIPODS
- SPIDERWEB CONNECTION KIT COMPATIBLE



1 DESIGNED WITH ANTI-ROTATION FEATURES FOR LENS ALIGNMENT



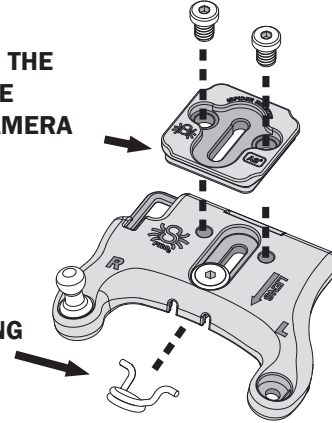
2 PIN CAN BE MOVED FOR CARRY ON RIGHT OR LEFT SIDE



ACCESSORIES & ADAPTER PLATES (AVAILABLE SEPARATELY)

ADAPTER PLATES MOUNT ON THE SPIDERPRO PLATE OR CAN BE ATTACHED DIRECTLY TO A CAMERA

SPIDERWEB CONNECTION ALLOWS YOU TO ATTACH A SPIDERWEB TETHER OR SLING STRAP SECURELY



ACCESSORIES

SPIDERWEB CONNECTION KIT

- DESIGNED FOR THE SPIDER WEB TETHER
- DOES NOT INTERFERE WITH TRIPOD USE
- COMPATIBLE WITH SLING STYLE CAMERA STRAPS

ADAPTER PLATES

AS² TRIPOD ADAPTER PLATE

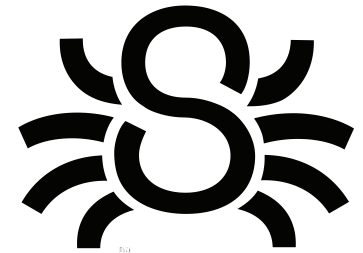
- COMPATIBLE WITH ARCA SWISS™ STYLE TRIPODS

AS-RC2 TRIPOD ADAPTER PLATE

- COMPATIBLE WITH:
 - ARCA SWISS™ STYLE TRIPODS
 - MANFROTTO RC2™ STYLE TRIPODS

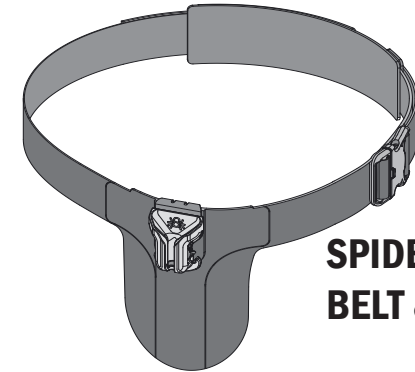
TETHER CABLE ATTACHMENT PLATE

- SECURES TETHER CABLES TO THE CAMERA
- MOUNTS ON ARCA SWISS™ STYLE TRIPODS



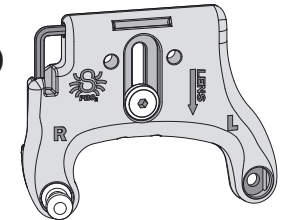
SPIDERPRO SINGLE & DUAL CAMERA SYSTEM

For Professional DSLR Cameras



SPIDERPRO BELT & HOLSTER

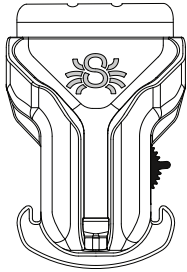
SPIDERPRO PLATE



Activate your limited lifetime warranty at:
<http://www.spiderholster.com/register>

U.S. AND INTERNATIONAL PATENTS PENDING
COPYRIGHT ©2017 SHAI GEAR LLC.
ALL RIGHTS RESERVED.

HOLSTER LOCK OPERATION

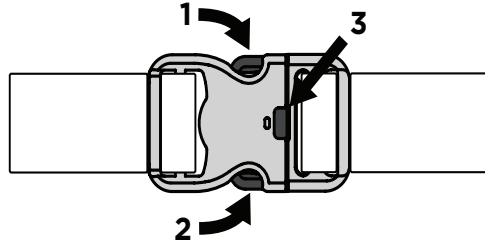


- 1 ROTATE UPWARDS TO REMOVE CAMERA
- 2 CONTINUE ROTATING TO UNLOCK THE HOLSTER FOR QUICK-DRAW

SECURE: LOCK ENGAGES EVERY TIME
QUICK-DRAW: LOCK IS DISENGAGED

SPIDERPRO BELT

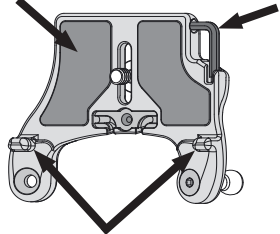
FOR SECURITY UNDER ALL CONDITIONS
THERE ARE **THREE** LOCKS ON THE BELT BUCKLE



SPIDERPRO PLATE

ANTI-SLIP
RUBBER GRIPS

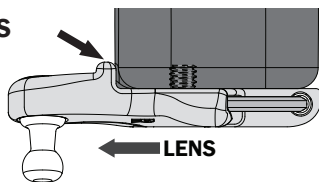
WRENCH STOWS
IN THE PLATE



THREADED HOLES
FOR TRIPODS

ANTI-ROTATION
FEATURES*

ANTI-TWIST
PIN DESIGN

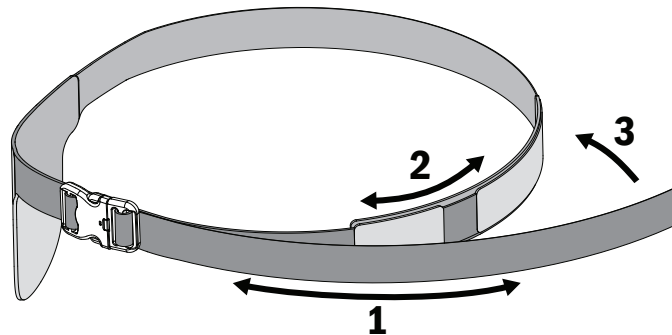


*ANTI-ROTATION FEATURES
KEEP THE PLATE ALIGNED
WITH YOUR CAMERA...

...MAKE SURE THEY ARE TIGHT
AGAINST THE CAMERA BODY

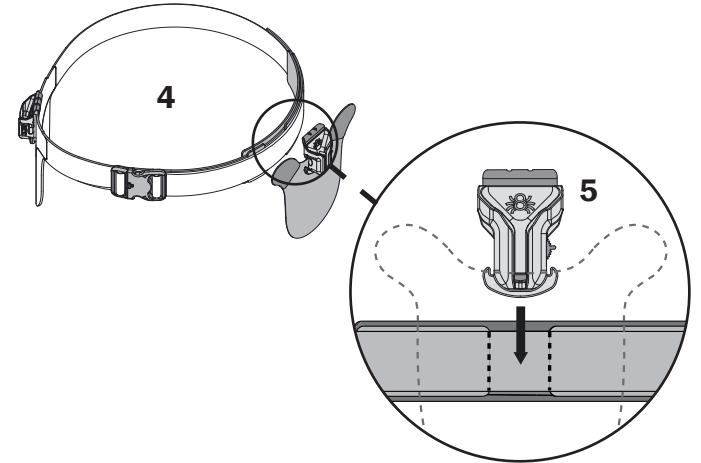
BELT SIZING

- 1 PEEL APART THE VELCRO WEBBING AND ADJUST THE SIZE UNTIL IT FITS SNUGLY ON YOUR HIPS
- 2 POSITION THE BELT PADDING OVER YOUR LEFT HIP
- 3 RECONNECT THE VELCRO WEBBING



ADDING A SECOND HOLSTER (DUAL CAMERA SYSTEM)

- 4 AFTER BELT SIZING:
BE SURE TO POSITION THE BELT PADDING WHERE
YOU WANT THE SECOND HOLSTER TO BE LOCATED.
- 5 SLIDE THE HOLSTER CLIP THROUGH THE GAP IN
THE BELT PADDING AS SHOWN



- 6 INSERT THE PAD EARS UNDER
THE OUTER BELT WEBBING

