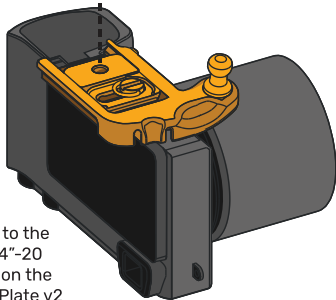


## UNIVERSAL TRIPOD COMPATIBILITY

**SPIDER**  
AS<sup>2</sup> Plate  
(Arca Swiss)

**SPIDER**  
Arca Swiss +  
Manfrotto RC2 Plate

**ANY**  
Third Party  
Tripod Plate



Attach your tripod plate to the universal 1/4"-20 connection on the Lens Collar Plate v2

## WARRANTY INFORMATION

Spider Gear LLC., ("Spider Gear") warrants these products against defects in material or workmanship for a period of (1) year from the original purchase of the product. Pursuant to this Limited Warranty, Spider Gear will, at its option, (i) repair the product using new or refurbished parts or (ii) replace the product with a new or refurbished product. In the event of a defect, these are your exclusive remedies. For purposes of this Limited Warranty, "refurbished" means a product or part that has been returned to its original specifications. The warranty provided is for repair or replacement of the product only. Any parts or products replaced under this Limited Warranty will become the property of Spider Gear.

### LIMITATIONS ON DAMAGES:

Spider Gear shall not be liable for any direct, indirect, incidental, special, or consequential damages for breach of any express or implied warranty or contract or tort claim on this product.

Our full warranty can be found at:

<https://www.spiderholster.com/pages/warranty-and-return-policy>

U.S. AND INTERNATIONAL PATENTS PENDING

COPYRIGHT ©2021 SPIDER GEAR LLC.

ALL RIGHTS RESERVED.

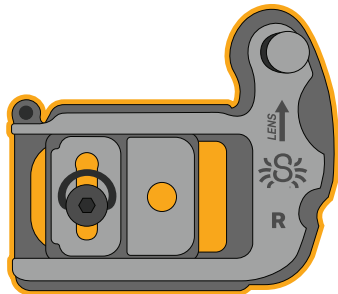
### DISCLAIMER:

Improper installation and use of this product will void your warranty. For instructions on how to properly carry your camera on our products, or for videos on how to properly assemble your gear, visit our website.

# SPIDER

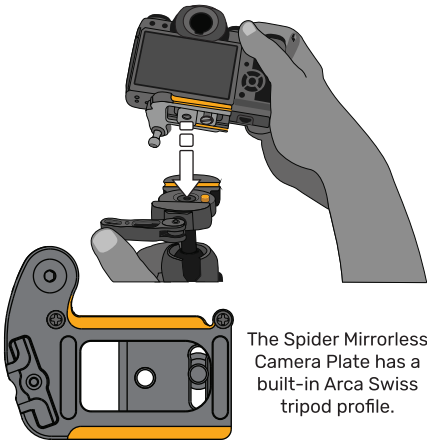
CAMERA HOLSTER

## MIRRORLESS CAMERA PLATE PRODUCT INSTRUCTIONS



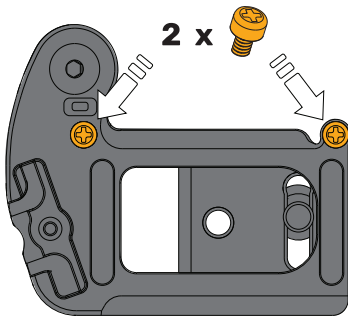
Compatible with all Spider Camera Holsters.  
(SpiderPro, Spider X, SpiderLight, BlackWidow)

## ARCA SWISS COMPATIBILITY



The Spider Mirrorless Camera Plate has a built-in Arca Swiss tripod profile.

## HOW TO: INSTALL CAMERA PLATE TO A LARGER BODIED CAMERA



For small bodied **DSLR CAMERAS** and **MIRRORLESS CAMERAS WITH BATTERY GRIPS**, remove the two screws as shown.

## HOW TO: INSTALL THE CAMERA PLATE TO A CAMERA THAT HAS THE TRIPOD MOUNT CLOSE TO THE BATTERY DOOR

