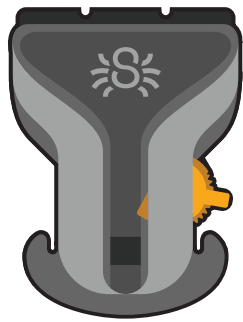


SPIDERPRO CAMERA HOLSTER

HOW TO USE THE HOLSTER LOCK



- 2 UNLOCKED
- 1 LOCKED



Rotate the lock lever up to remove your camera.

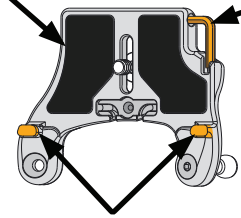


Keep rotating the lock up until it ***clicks*** and the holster will remain unlocked.

DSLR CAMERA PLATE

Anti-Slip Rubber Grips

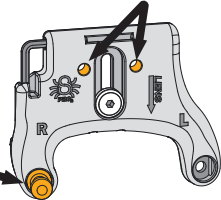
Wrench stows inside the plate



Universal 1/4"-20 threaded tripod plate mounts

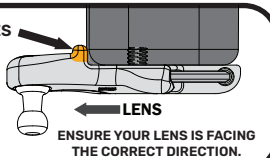
Anti-Rotation Features*

Anti-Twist Pin



*ANTI-ROTATION FEATURES KEEP THE PLATE ALIGNED WITH YOUR CAMERA.

MAKE SURE THE PLATE IS FLUSH AGAINST THE CAMERA BODY.

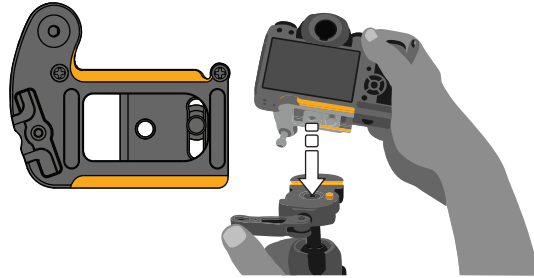


ENSURE YOUR LENS IS FACING THE CORRECT DIRECTION.

DISCLAIMER:
WARNING! IMPROPER INSTALLATION AND USE OF THIS PRODUCT WILL VOID YOUR WARRANTY

MIRRORLESS CAMERA PLATE

ARCA SWISS COMPATIBILITY



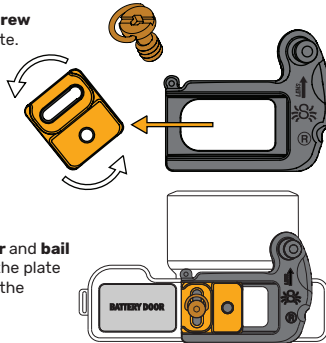
The Spider Mirrorless Camera Plate has a built-in Arca Swiss tripod profile.

HOW TO: INSTALL THE CAMERA PLATE TO A CAMERA THAT HAS THE TRIPOD MOUNT CLOSE TO THE BATTERY DOOR

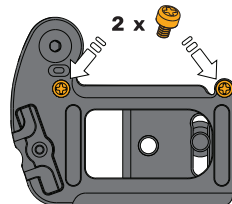
1 Remove the **bail screw** from the sliding plate.

2 Slide out, rotate, and re-insert the **slider plate**.

3 Re-insert the **slider** and **bail screw**, and install the plate as shown, clearing the battery door.



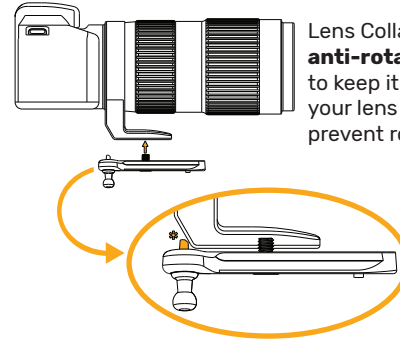
HOW TO: INSTALL CAMERA PLATE TO A LARGER BODIED CAMERA



For small bodied DSLR cameras and MIRRORLESS CAMERAS WITH BATTERY GRIPS, remove the two screws as shown.

LENS COLLAR PLATE V2

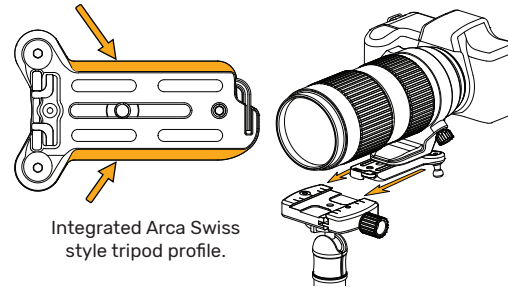
HOW TO: INSTALL THE LENS COLLAR PLATE



Lens Collar Plate has an **anti-rotation feature** to keep it aligned with your lens and help prevent rotation.

* Lens Collar Plate's **RAISED FEATURE** must be in contact with the back of the lens collar.

ARCA SWISS COMPATIBILITY

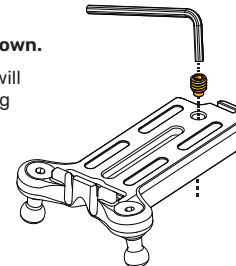


Integrated Arca Swiss style tripod profile.

HOW TO: PROPERLY USE THE SAFETY STOP SCREW

Use wrench to adjust as shown.

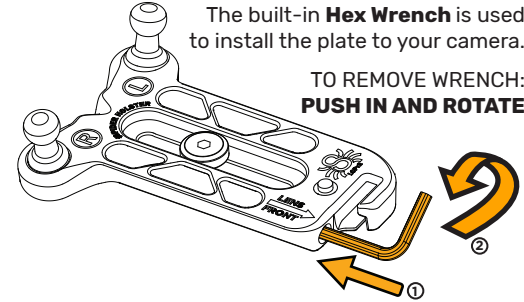
The **SAFETY STOP SCREW** will prevent the accidental sliding of the tripod plate from your Arca Swiss tripod.



BUILT-IN HEX WRENCH

The built-in **Hex Wrench** is used to install the plate to your camera.

TO REMOVE WRENCH: **PUSH IN AND ROTATE**

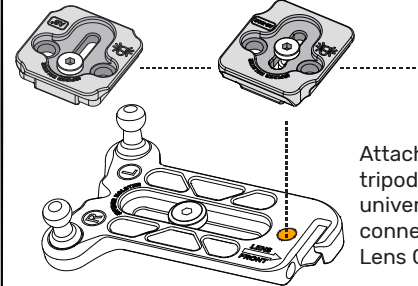


UNIVERSAL TRIPOD COMPATIBILITY

SPIDER AS² Plate (Arca Swiss)

SPIDER Arca Swiss + Manfrotto RC2 Plate

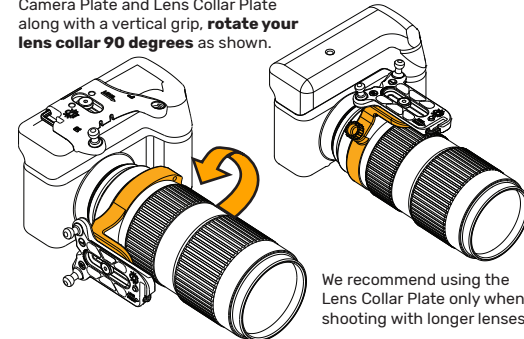
ANY Third Party Tripod Plate



Attach your tripod plate to the universal 1/4"-20 connection on the Lens Collar Plate v2

USE WITH: A CAMERA EQUIPPED WITH A VERTICAL GRIP

When operating with BOTH a DSLR Camera Plate and Lens Collar Plate along with a vertical grip, **rotate your lens collar 90 degrees** as shown.

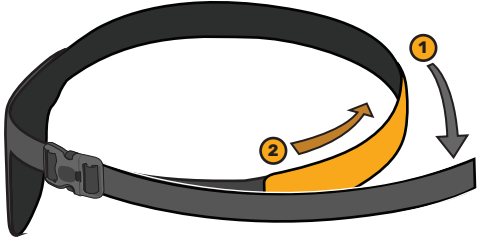


We recommend using the Lens Collar Plate only when shooting with longer lenses.

SPIDERPRO CAMERA BELT

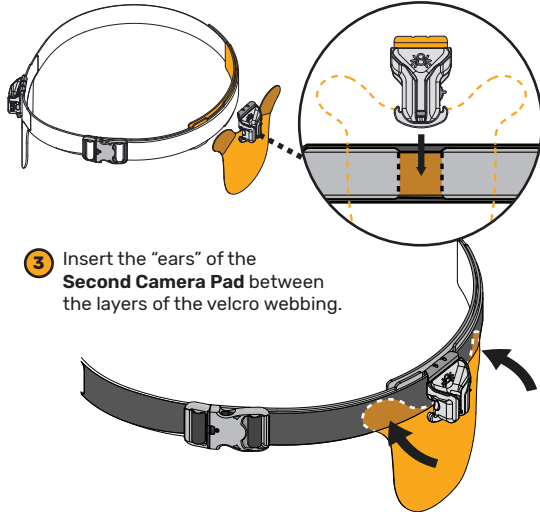
BELT SIZING

- 1 Peel apart the velcro webbing and adjust the size until it fits snugly on your hips.
- 2 Position the **SLIDING CAMERA PAD** so that it sits over your left hip. After, reconnect the velcro webbing.



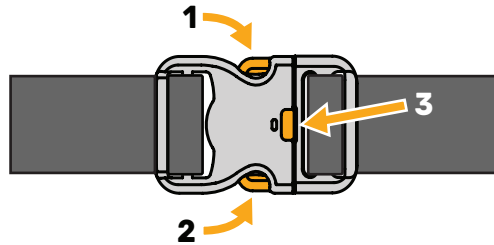
ADD THE SECOND CAMERA PAD (DUAL CAMERA SYSTEM)

- 1 **AFTER BELT SIZING:**
Be sure to position the belt padding over your right hip, this will be where you holster the second camera.
- 2 Slide the **HOLSTER CLIP** through the gap in the middle of the Sliding Camera Pad as shown.



BELT LOCK

To maximize security under all conditions, there are **THREE** locks on the belt buckle.



Press all three buttons at the same time to unlock.

WARRANTY INFORMATION

Spider Gear LLC., ("Spider Gear") warrants these products against defects in material or workmanship for a period of (1) year from the original purchase of the product. Pursuant to this Limited Warranty, Spider Gear will, at its option, (i) repair the product using new or refurbished parts or (ii) replace the product with a new or refurbished product. In the event of a defect, these are your exclusive remedies. For purposes of this Limited Warranty, "refurbished" means a product or part that has been returned to its original specifications. The warranty provided is for repair or replacement of the product only. Any parts or products replaced under this Limited Warranty will become the property of Spider Gear.

LIMITATIONS ON DAMAGES:

Spider Gear shall not be liable for any direct, indirect, incidental, special, or consequential damages for breach of any express or implied warranty or contract or tort claim on this product.

Our full warranty can be found at:
<https://www.spiderholster.com/pages/warranty-and-return-policy>

U.S. AND INTERNATIONAL PATENTS PENDING
COPYRIGHT ©2021 SPIDER GEAR LLC.
ALL RIGHTS RESERVED.

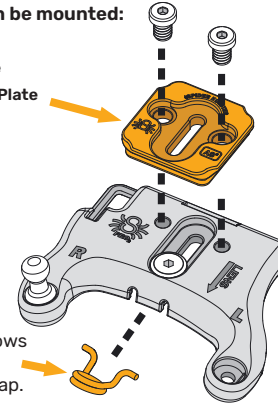
DISCLAIMER:

Improper installation and use of this product will void your warranty. For instructions on how to properly carry your camera on our products, or for videos on how to properly assemble your gear, visit our website.

SPIDER TRIPOD PLATES & ACCESSORIES (AVAILABLE SEPARATELY)

Spider Adapter Plates can be mounted:

- Directly to the camera body
- On to the **DSLR Camera Plate**
- On to the **Mirrorless Camera Plate**



Tether Bail connection allows you to attach a **SpiderWeb Tether** or security sling strap.

FOR TETHER USERS

SPIDER TETHER BAIL KIT

- Designed for the **Spider Web Tether**
- Compatible with Spider **DSLR Camera Plate**, **Mirrorless Camera Plate**, **Lens Collar Plate**
- Does not interfere with tripod use
- Compatible with sling style camera straps

SPIDER TRIPOD PLATES

AS² TRIPOD ADAPTER PLATE

- Compatible with Arca Swiss style tripods.

AS-RC2 TRIPOD ADAPTER PLATE

- Compatible with:
- Arca Swiss style tripods
 - Manfrotto RC2 style tripods

TETHER CABLE ADAPTER PLATE

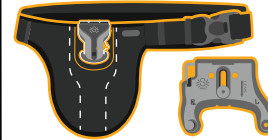
- Compatible with Arca Swiss style tripods.
- Secures your tether cable to the camera
- Helps prevent expensive damage

SPIDER CAMERA HOLSTER

PRODUCT INSTRUCTIONS

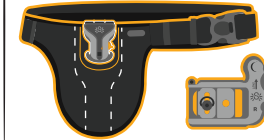
DSLR SINGLE CAMERA SYSTEM v2

- (1) SpiderPro Belt + Camera Holster
(1) DSLR Camera Plate



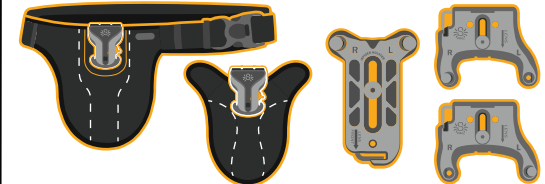
MIRRORLESS SINGLE CAMERA SYSTEM v2

- (1) SpiderPro Belt + Camera Holster
(1) Mirrorless Camera Plate



DSLR DUAL CAMERA SYSTEM v2

- (1) SpiderPro Belt + Camera Holster
(1) Left Side Camera Pad + Camera Holster
(1) Lens Collar Plate v2
(2) DSLR Camera Plates



MIRRORLESS DUAL CAMERA SYSTEM v2

- (1) SpiderPro Belt + Camera Holster
(1) Left Side Camera Pad + Camera Holster
(1) Lens Collar Plate v2
(2) Mirrorless Camera Plates

