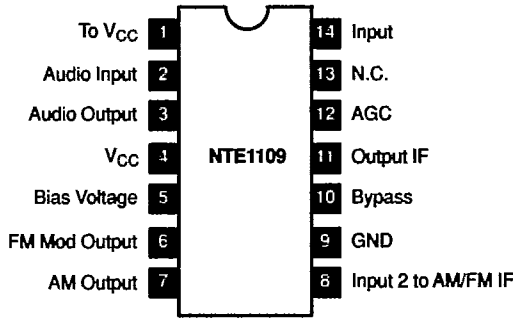


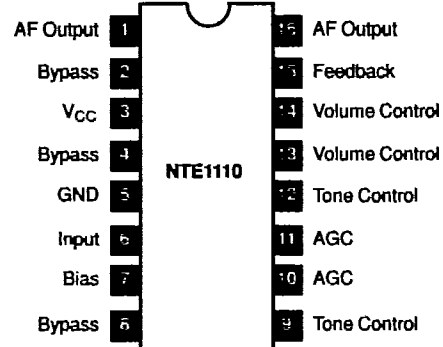
LINEAR INTEGRATED CIRCUITS

T-77-01

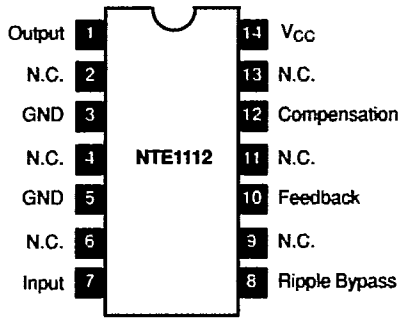
AM/FM IF Amp/DeT/AF/Amp 14-Lead DIP, See Diag. 247



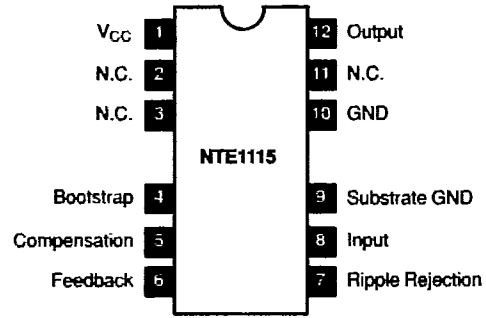
Audio Power Amp, 2W, V_{CC} = 12V 16-Lead DIP, See Diag. 265



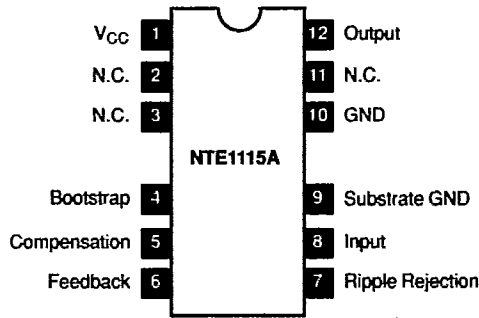
Audio Amp, 4W @ 24V, 2.2W @ 18V 14-Lead DIP, See Diag. 247



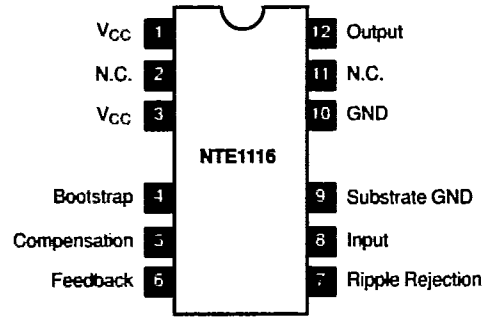
Audio Power Amp, 7W, */Heat Sink Tabs 12-Lead DIP, See Diag. 262
V_{CC} = 20V



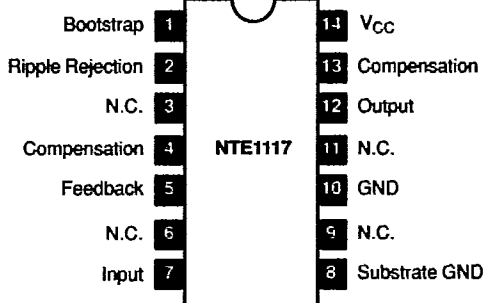
Audio Power Amp, 7W, */Heat Sink Tabs 12-Lead DIP, See Diag. 261
V_{CC} = 20V



Audio Power Amp, 5W, */Heat Sink Tabs 12-Lead DIP, See Diag. 261
V_{CC} = 30V



Audio Power Amp, 2W, V_{CC} = 16V Max 14-Lead DIP, See Diag. 247



Hybrid, 2-Stage Audio Amp 7-Lead SIP, See Diag. 218

