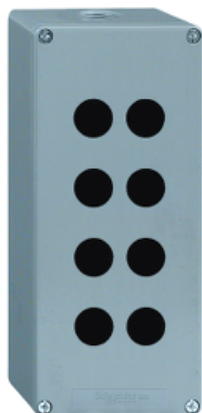


Price* : 69.20 GBP



Main

| | |
|-----------------------------|---|
| Range of product | Harmony XAP |
| Product or component type | Die-cast empty control station |
| Device short name | XAPM |
| Product destination | For Ø 22 mm control and signalling units |
| Product front plate size | 80 x 220 mm |
| Usable depth | 74.5 mm |
| Number of cut-out | 8 cut-outs |
| Colour of base of enclosure | Blue |
| Colour of cover | Blue |
| Material | Zinc alloy |
| Cable entry | 1 hole without blanking plug for ISO 429248 cable gland 25 mm |
| Device mounting | Flush |
| IP degree of protection | IP69 conforming to NF C 20-010 IP65 conforming to IEC 60529 IP69K |

Complementary

| | |
|-------------------------|---------|
| Number of vertical rows | 2 |
| Product weight | 1.37 kg |

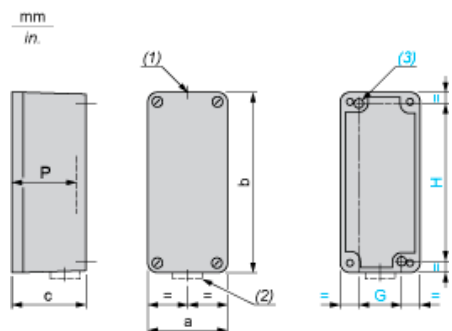
Environment

| | |
|---------------------------------------|--|
| Protective treatment | TC |
| Ambient air temperature for storage | -40...70 °C |
| Ambient air temperature for operation | -40...70 °C |
| Overtoltage category | Class I conforming to NF C 20-030 Class I conforming to IEC 60536 |

Contractual warranty

| | |
|-----------------|-----------|
| Warranty period | 18 months |
|-----------------|-----------|

Dimensions and Fixing

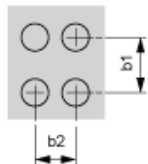


- (1) 1 hole, without blanking plug, for cable gland with 18 mm/0.71 in. maximum clamping capacity
- (3) 2 x Ø 5.6 mm/0.22 in. holes, depth 20 mm/0.78 in.
- P Usable depth

| a | | b | | c | | G | | H | | P | |
|----|------|-----|------|----|------|----|------|-----|------|------|------|
| mm | in. | mm | in. | mm | in. | mm | in. | mm | in. | mm | in. |
| 80 | 3.15 | 220 | 6.89 | 77 | 3.03 | 50 | 1.97 | 205 | 8.07 | 74.5 | 2.93 |

Refer to the product characteristics to get the number of cut-outs.

Cut-out interaxis dimensions (vertical mounting)



- b1 Vertical interaxis: 40 mm/1.57 in.
- b2 Horizontal interaxis: 30 mm/1.18 in.