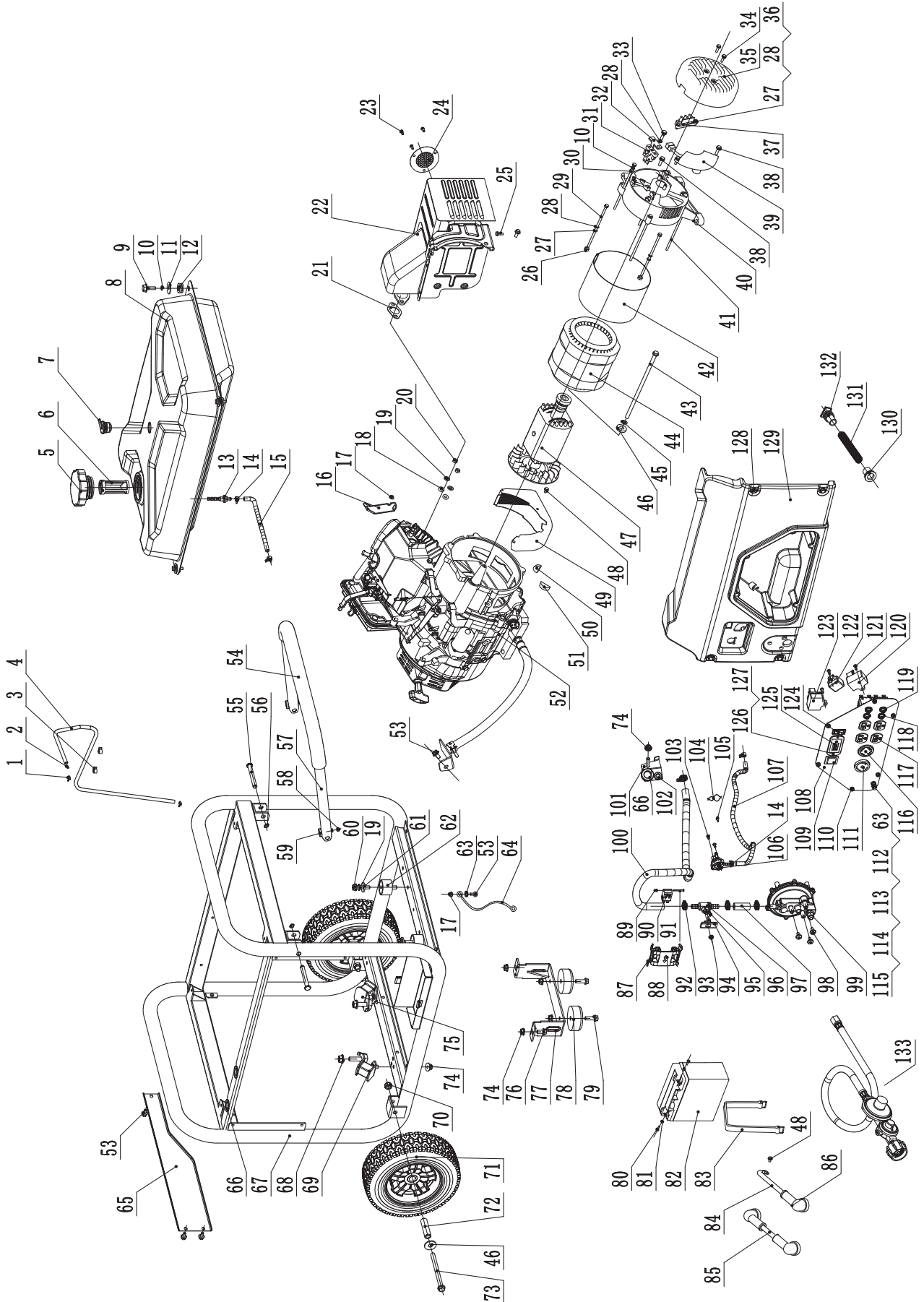


SPECIFICATIONS

Parts Diagram

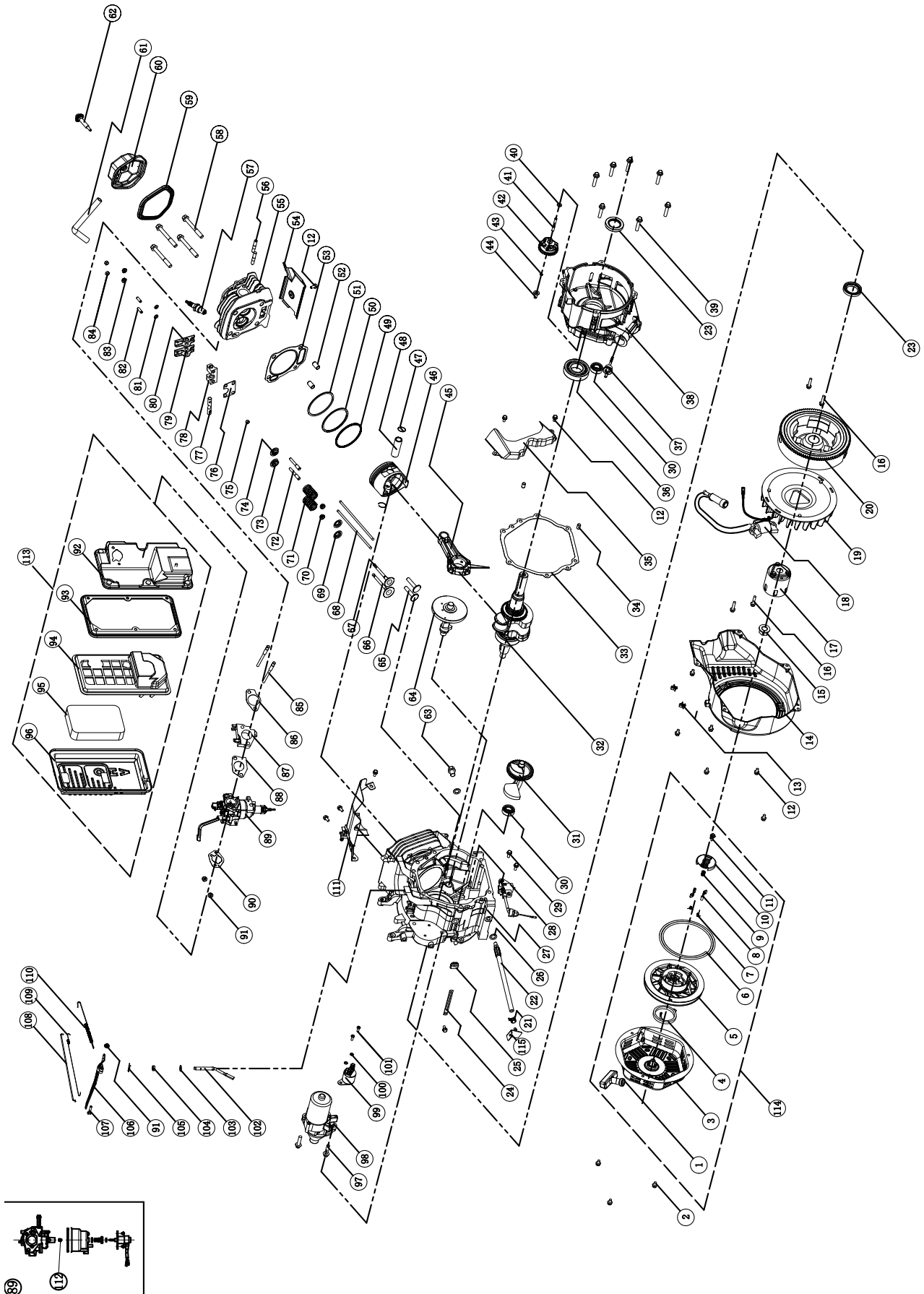


#	Part Number	Description	Qty
1	2.06.006	Clamp (Ø7xØ1)	1
2	24.070030.00	Hole, Breather Tube	1
3	2.05.001	Clamp (Ø8x6.5)	2
4	152.070014.06	Pipe, Reversal Valve (730mm)	1
5	122.070100.07	Fuel Tank Cap	1
6	122.070300.03	Fuel Filter	1
7	24.070800.00	Reversal Valve	1
8	152.071000.31.48	Fuel Tank, Yellow	1
9	1.5789.0620.1	Flange Bolt M6x20, Black	4
10	1.93.06	Spring Washer Ø6	8
11	2.03.004.1	Washer Ø6, Black	4
12	122.070015.01	Mount Vibration, Fuel Tank	4
13	21.070600.01	Connect (Copper)	1
14	2.06.016	Clamp (Ø8.7xb6)	4
15	152.070011.08	Pipe, Fuel (265mm)	1
16	45.090006.20	Holder, Air Cleaner	1
17	1.6177.1.06	Flange Lock Nut M6	2
18	1.848.08	Washer Ø8	2
19	1.93.08	Spring Washer Ø8	4
20	1.6175.08	Nut M8	2
21	46.100001.07	Muffler Gasket	1
22	46.101000.00.2	Muffler Assembly	1
23	1.9074.4.0510	Screw And Washer Assembly M5x10	3
24	46.101300.00	Spark Arrester Assembly	1
25	1.16674.0820	Flange Bolt M8x20	2
26	1.6175.05	Nut M5	2
27	1.97.1.05	Washer Ø5	4
28	1.93.05	Spring Washer Ø5	5
29	2.08.035	Bolt M5x214	2
30	1.97.1.06	Washer Ø6	4
31	152.190300.00	Carbon Brush Assembly	1
32	122.190004.01	Pinch, Carbon Brush	1
33	1.5783.0520	Bolt M5x20	1
34	1.16674.0512.2	Flange Bolt M5x12	2
35	152.190003.00.48	Generator End Cover, Yellow	1
36	1.5783.0516	Bolt M5x16	2
37	122.190400.00	Terminal Block	1
38	1.16674.0516	Flange Bolt M5x16	3
39	153.190200.03	AVR (6KW)	1
40	152.190002.00	End Housing	1
41	2.08.032	Flange Bolt M6x179	4
42	152.191002.00	Stator Cover	1
43	2.08.034	Flange Bolt M10x265	1
44	152.191200.26	Stator Assembly, Al, 140 mm	1
45	1.7244.10	Locking Washer Ø10	1
46	1.96.10	Washer Ø10	3
47	152.191100.26	Rotor Assembly, Al, 140 mm	1
48	1.5789.0608	Flange Bolt M6x8	4
49	152.192300.00	Air Guide	1
50	152.190005.00	Rubber, Fore-Cover, A	1
51	152.190005.01	Rubber, Fore-Cover, B	1
52	47.690	Engine	1
53	1.5789.0612.1	Flange Bolt M6x12, Black	4
54	152.200702.02	Cover, Handle	1
55	152.200703.03	Long Pin, Handle	2
56	1.894.1.10	Circlip Ø10	2
57	152.200701.14	Handle, U Style	1
58	1.894.1.08	Circlip Ø8	2
59	152.200703.02	Short Pin, Handle	2
60	1.5789.0835	Flange Bolt M8x35	2
61	1.96.08	Big Washer Ø8	2
62	152.201200.00	Motor Mount	2
63	1.862.06	Lock Washer Ø6	2
64	5.1900.026	Grounding Line 150mm	1
65	152.200800.09.2	Decorative Plate	1
66	152.070031.00	Jacket, LPG Hose	3
67	6.5.232.402.2	Frame	1
68	1.6177.1.10	Flange Lock Nut M10	2
69	152.201200.03	Motor Mount,	1

#	Part Number	Description	Qty
70	1.6182.10	Lock Nut M10	2
71	152.201701.09	9.5in PU Wheel	2
72	122.200016.01	Bush Ø16xØ10.5x59	2
73	1.5782.10120	Bolt M10x120	2
74	1.6177.1.08	Flange Lock Nut M8	9
75	152.201200.04	Motor Mount,	1
76	1.5789.0816	Flange Bolt M8x16	2
77	152.200002.01.2	Support Leg	1
78	152.201400.00	Rubber, Support	2
79	1.5789.0825	Flange Bolt M8x25	2
80	1.9074.3.0510	Bolt And Washer Assembly M5x10	2
81	1.6177.1.05	Flange Lock Nut M5	2
82	9.1000.150	Battery 12V15AH	1
83	152.200904.00	Pinch, Rubber	1
84	5.1900.014	Black Wire, 320mm, Battery	1
85	5.1900.021	Red Wire, 480mm, Battery	1
86	152.200013.01	Jacket, Wire	3
87	152.201004.00	Lock Catch	2
88	152.200019.00.48	Switch Handle, Yellow	1
89	1.6170.03	Nut M3	1
90	5.1050.000	Switch	1
91	1.819.1.0330	Screw M3x30	1
92	2.06.023	Clip Ø20	4
93	1.6182.05	Lock Nut M5	1
94	122.070025.02	Knob	1
95	1.823.0408	Screw M4x8	2
96	122.074000.01	Cut-off Valve, B	1
97	152.070012.05	Pipe (40mm)	1
98	2.08.055.1	Bolt M6x14, Black	3
99	47.136000.01	Pressure-reducing Valve	1
100	152.070012.06	Pipe (750mm)	1
101	152.200018.00	Supporter	1
102	152.070031.01	Jacket, Fuel Hose	1
103	1.845.4816	Screw ST4.8x16	2
104	2.06.050	Clip (Ø8xØ18)	1
105	1.845.3513	Screw ST3.5x13	2
106	122.070400.06	Fuel Cock	1
107	152.070011.09	Pipe, Fuel (480mm)	1
108	152.199.01.2	Control Panel	1
109	5.1000.001.3	Ignition Switch	1
110	1.9074.4.0514.1	Screw M5x14, Black	6
111	5.1120.008	Receptacle L5-30R	1
112	1.5783.0622.3	Bolt M6x22, Green	1
113	1.6175.06.3	Nut M6, Green	2
114	1.97.1.06.3	Washer Ø6, Green	2
115	1.93.06.3	Spring Washer Ø6, Green	2
116	5.1120.009	Receptacle L14-30R	1
117	5.1120.010	Receptacle 5-20R Duplex	2
118	5.1210.925	A.C 25A Breaker, Push Button	2
119	5.1210.920	A.C 20A Breaker, Push Button	2
120	5.1810.001	Over Voltage Protector	1
121	1.823.0514	Screw M5x14, Black	3
122	5.1800.004	Rectifier	1
123	5.1820.001	Charger	1
124	5.1000.000.3	Switch, Battery	1
125	5.1430.002	Intelligauge	1
126	1.9074.4.0414.1	Screw And Washer Assembly M4x14, Black	2
127	1.6177.1.04.1	Flange Lock Nut M4, Black	10
128	1.5789.0615.1	Flange Bolt M6x15, Black	4
129	152.210002.17	Control Box	1
130	122.210003.01	Plug, Control Box	1
131	5.1330.017	Sheath, Wire	1
132	152.210003.02	Plug, End Cover	1
133	47.130021.00	LPG Hose with regulator 3.3 ft. (1 m)	1

SPECIFICATIONS

Engine Parts Diagram



#	Part Number	Description	Qty
1	21.061300.00	Recoil Handle	1
2	1.5789.0608	Flange Bolt M6x8	3
3	46.061100.00.2	Recoil Starter Cover, Black	1
4	45.060005.00	Recoil Starter Spring	1
5	45.061102.00	Recoil Starter Reel	1
6	2.10.003	Rope (Ø5x1550)	1
7	45.060003.00	Spring, Ratchet	2
8	45.060002.00	Starter Ratchet (Iron)	2
9	45.060009.00	Spring, Ratchet Guide	1
10	45.060007.00	Ratchet Guide	1
11	45.060008.00	Screw, Ratchet Guide	1
12	1.5789.0612	Flange Bolt M6x12	12
13	2.05.009	Clamp (12.5x7)	2
14	47.080100.01.48	Fan Cover, Yellow	1
15	2.02.007	Nut (M16x1.5)	1
16	1.5789.0629	Flange Bolt M6x29	4
17	45.060001.00	Pulley, Starter	1
18	46.123000.03	Ignition Coil	1
19	47.080001.00	Cooling Fan	1
20	46.120100.05	Flywheel (Electric Start EPA)	1
21	2.06.013	Clamp (Ø13.5xb10)	1
22	45.032000.00	Oil Drain Hose Assembly	1
23	2.11.007	Oil Seal (Ø35xØ52x8)	2
24	2.05.050	Wire clip, 100 mm	1
25	45.030032.00	Sheath, Wire	1
26	2.03.023	Washer (Ø12.5xØ20x2)	2
27	47.030100.01	Crankcase	1
28	45.127000.01	Oil Level Sensor	1
29	1.5789.0615	Flange Bolt M6x15	2
30	1.276.6202	Bearing 6202	2
31	47.050006.00	Weight Balancer	1
32	47.050100.01	Crankshaft	1
33	46.030008.00	Gasket, Crankcase Cover	1
34	2.04.001	Dowel Pin (Ø9x14)	2
35	46.080600.00	Air Guide, Right Side	1
36	1.276.6207	Bearing 6207	1
37	46.031000.01.48	Oil Dipstick Assembly, Yellow	1
38	45.030007.00	Cover, Crankcase	1
39	1.5789.0840.0.8	Flange Bolt M8x40	7
40	2.03.021.1	Washer (Ø6.4xØ13x1)	1
41	45.110013.00	Shaft, Governor Gear	1
42	45.110100.00	Gear, Governor	1
43	21.110011.00	Clip, Governor Gear	1
44	45.110012.00	Bushing, Governor Gear	1
45	47.050200.00	Connecting Rod	1
46	47.050005.01	Piston	1
47	2.09.004	Circlip (Ø21xØ1)	2
48	45.050003.00	Wrist Pin	1
49	46.050303.02	Ring, Oil	1
50	46.050302.02	Ring, Second Piston	1
51	46.050301.02	Ring, First Piston	1
52	2.04.004	Dowel Pin (Ø12x20)	2
53	46.030009.02	Gasket, Cylinder Head	1
54	46.080400.00	Air Guide, Lower	1
55	47.010100.01	Cylinder Head	1
56	2.01.010	Stud Bolt (M8x35)	2
57	2.15.002(F6RTC)	Spark Plug (F6RTC)	1
58	2.08.014	Flange Bolt M10x80	4
59	46.020002.00	Gasket, Cylinder Head Cover	1
60	47.021000.00	Cylinder Head Cover (CPE)	1
61	45.020001.02	Breather Tube	1

#	Part Number	Description	Qty
62	47.020100.00	Bolt, Cylinder Head Cover	1
63	2.08.039	Bolt, Drain (M12x1.5x15)	1
64	47.041000.01	Camshaft (EPA)	1
65	47.040004.00	Lifter, Valve	2
66	47.040002.00	Valve, Intake	1
67	47.040006.00	Valve, Exhaust	1
68	46.040005.00	Push Rod	2
69	45.040015.00	Retainer, Valve Spring (Down)	2
70	45.040017.00	Oil Seal, Valve	2
71	45.040003.00	Spring, Valve	2
72	23.040010.00	Bolt, Rocker Arm	2
73	45.040001.00	Retainer, Intake Valve Spring (Up)	1
74	45.040007.00	Retainer, Exhaust Valve Spring (Up)	1
75	45.040008.00	Rotator, Exhaust Valve	1
76	46.040004.00	Guide Plate, Push Rod	1
77	46.040016.00	Shaft, Rocker Arm	1
78	46.040201.00	Retainer, Rocker Arm	1
79	46.040009.00	Rocker Arm, Intake Valve	1
80	46.040018.00	Rocker Arm, Exhaust Valve	1
81	1.97.1.06	Washer Ø6	2
82	22.040012.00	Screw, Valve Adjustment	2
83	1.6177.1.06	Flange Lock Nut M6	2
84	21.040021.00	Nut, Lock (M6x0.5)	2
85	2.01.008	Stud Bolt (M6xM8x105)	2
86	46.130002.20	Gasket, Insulator (No Asbestos)	1
87	45.130001.00	Insulator, Carburetor	1
88	46.130003.20	Gasket, Carburetor	1
89	47.131000.25	Carburetor	1
90	46.130004.20	Gasket, Air Cleaner	1
91	1.6177.06	Flange Nut M6	3
92	46.091100.03	Base, Air Cleaner	1
93	45.091002.20	Seal, Air Cleaner	1
94	45.091001.20	Separator, Air Cleaner	1
95	45.091003.20	Element, Air Cleaner	1
96	46.091200.04	Cover, Air Cleaner	1
97	1.5789.0835	Flange Bolt M8x35	2
98	45.125100.00	Starter Motor Assembly	1
99	45.125200.03	Relay, Starter (three gear)	1
100	1.93.05	Spring Washer Ø5	2
101	1.16674.0516	Flange Bolt M5x16	2
102	45.110001.00	Shaft, Governor Arm	1
103	2.03.019	Washer (Ø8.2xØ17x0.8)	1
104	2.11.006	Oil Seal (Ø7xØ14x5)	1
105	45.110008.00	Pin, Shaft	1
106	45.110003.00	Arm, Governor	1
107	2.08.040	Bolt, Governor Arm (M6x21)	1
108	45.110006.00	Rod Governor	1
109	45.110005.00	Spring, Throttle Return	1
110	45.110007.00	Spring, Governor	1
111	46.080300.20	Air Guide, Upper	1
112	47.131017.21	Standard Main Jet	1
	47.131017.21.01	Altitude Main Jet	/
113	46.091000.03	Air Cleaner Assembly	1
114	46.061000.00	Recoil Assembly	1
115	45.030200.00	Support	1

SPECIFICATIONS

Wiring Diagram

B	BLACK	Br	BROWN
Y	YELLOW	B/W	BLACK WHITE
L	BLUE	W/G	WHITE GREEN
G	GREEN	G/Y	GREEN YELLOW
R	RED	W/L	WHITE BLUE
W	WHITE	In	INDIGO
C	CARNATION	O	ORANGE

COMBINATION SWITCH					
1	2	3	4	5	6
OFF					
ON					
ST					

