

ADVANCED SIMRACING

# IM1 & IM3 ASSEMBLY GUIDE



NOT A RENDER

**\*\*\*WE NEED YOUR ATTENTION\*\*\***



**BEFORE**



**AFTER**

Please take note that we followed SimRacingGarages advice and changed our gussets for gusset with dents that helps the installation and stops the gusset from twisting under big pressure.

You will have to break some dents if you place the gussets upwards. In this case just brake them with a screw driver.

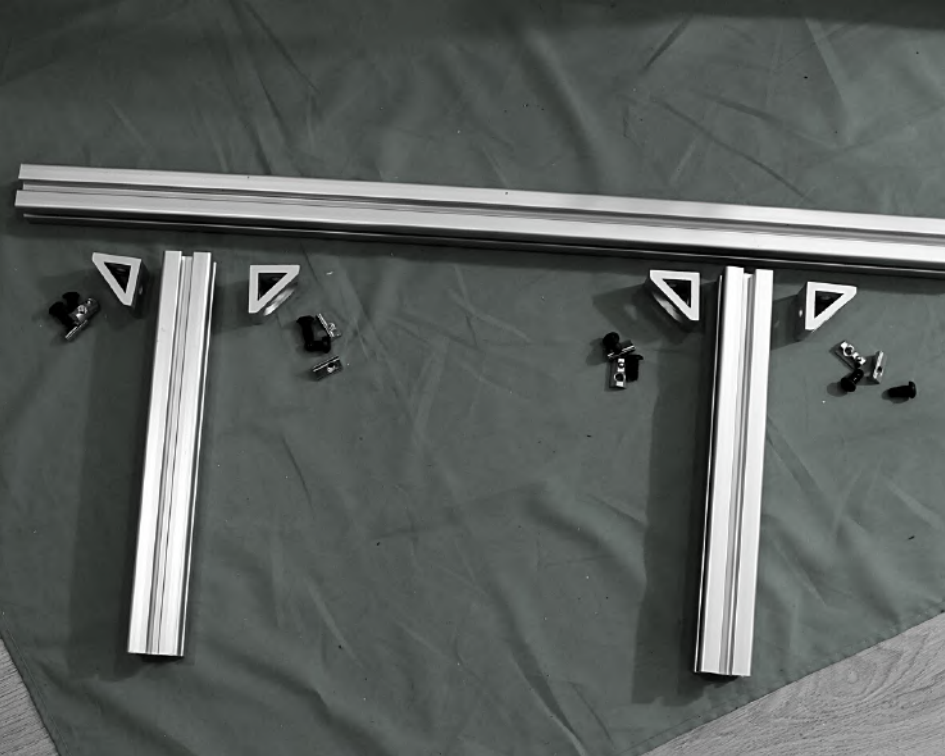
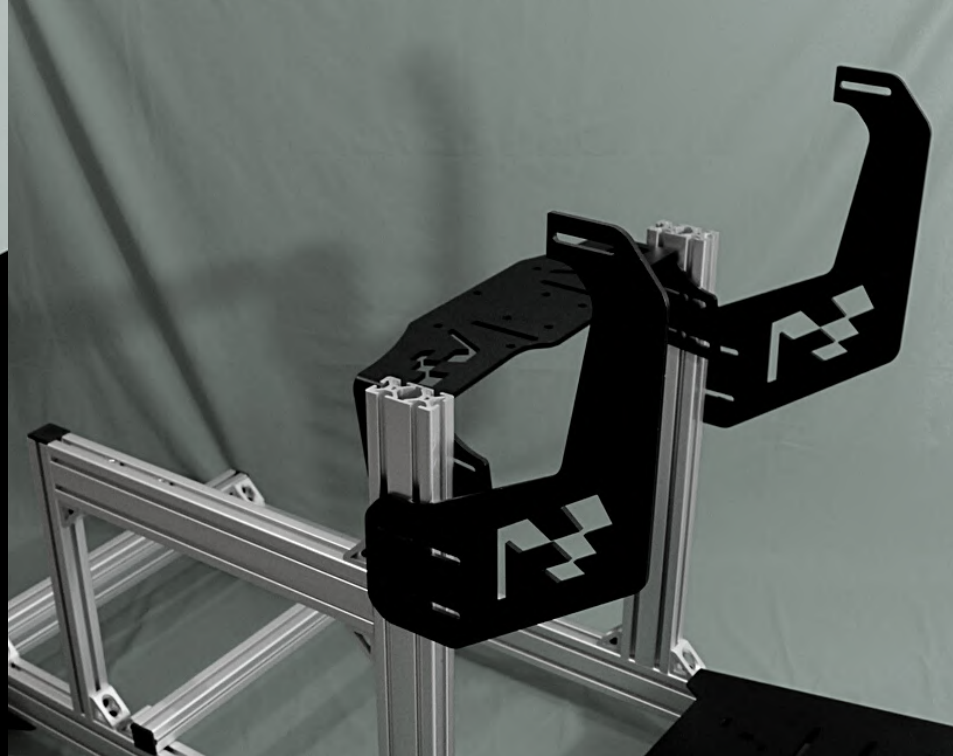


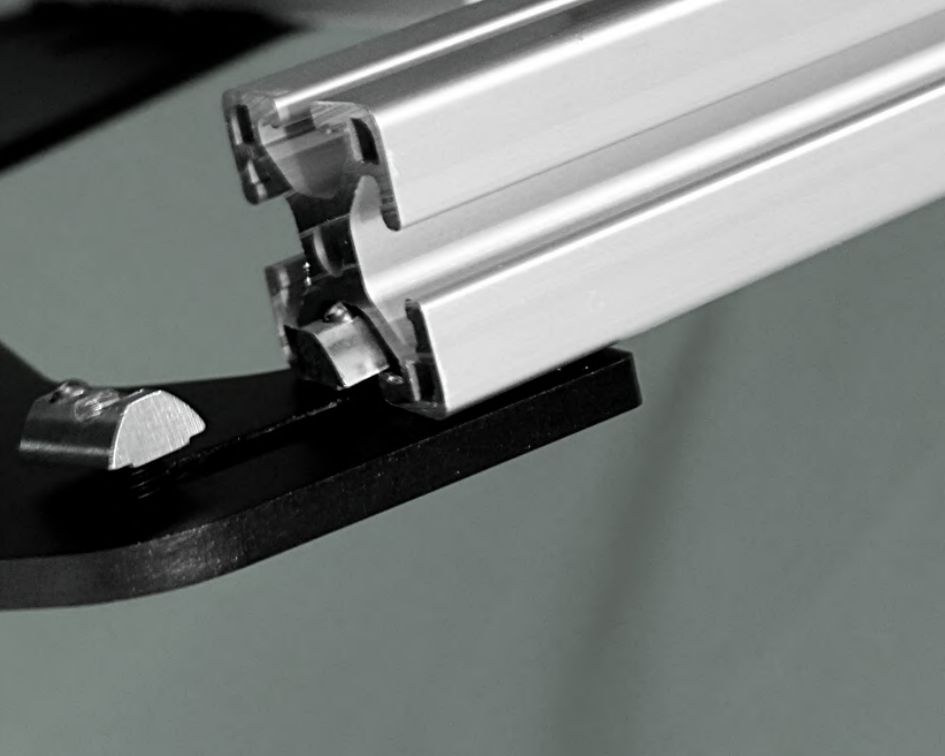
Tools  
- measuring tape  
- allen key 3/16

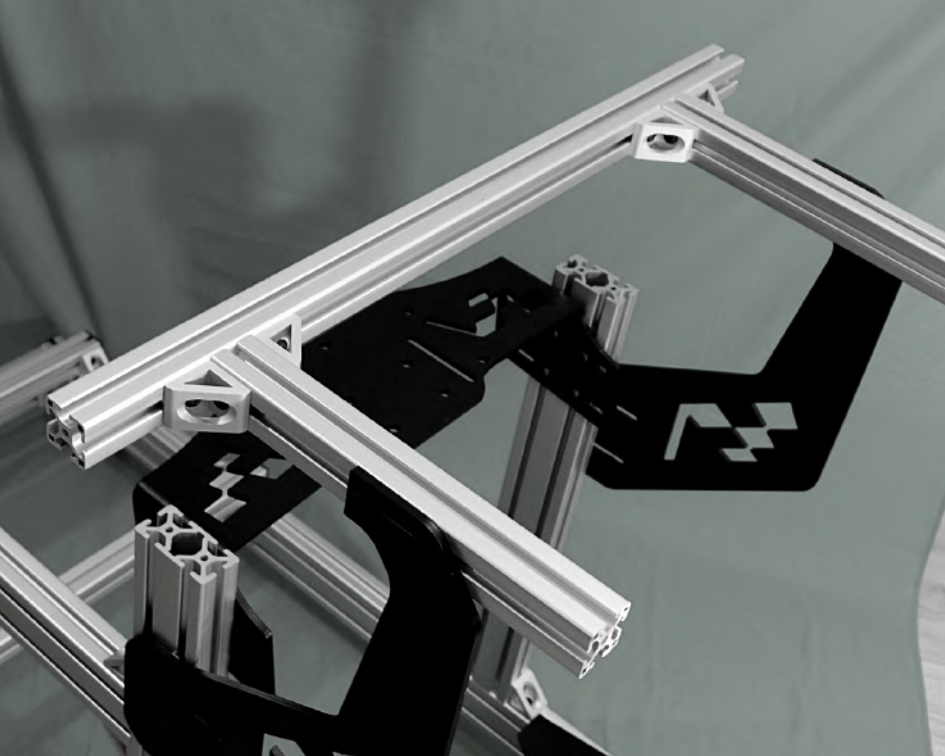


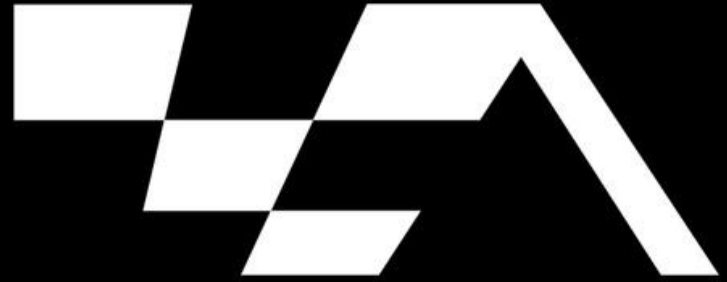
All the pieces











ADVANCED SIMRACING

# MC1 ASSEMBLY GUIDE



NOT A RENDER

