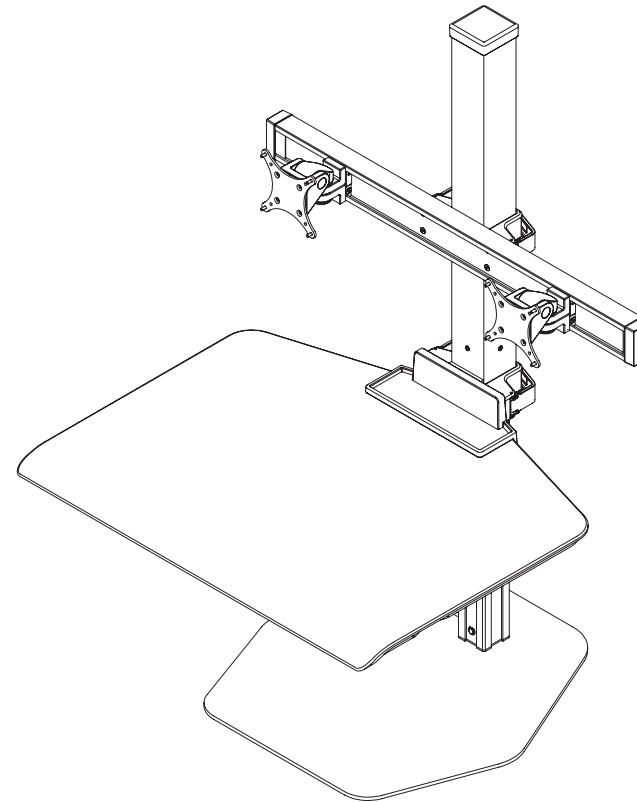


WNST-APL-1

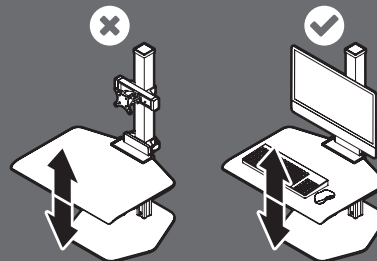


WNST-APL-2



CAUTION:

Mechanism can rise quickly with no equipment in place. User equipment must be properly installed, prior to height adjustment. Failure to do so may result in personal injury and/or property damage.



NOTE:

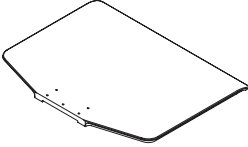
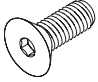
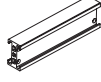

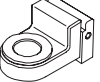
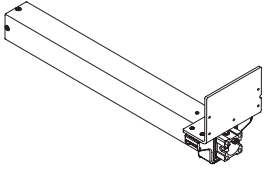
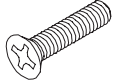
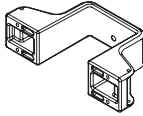

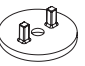

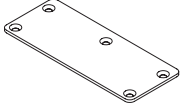




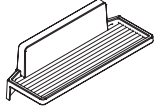
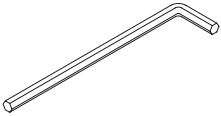
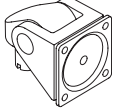

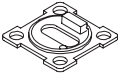
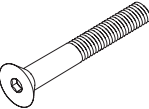
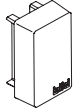
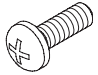
Depending on your Winston Workstation® configuration, **you may not receive all the parts shown** within this instruction booklet.

Installation may require two people.

Depending on your Winston Workstation® configuration, **you may not receive all parts** shown below.

WNST-APL-1 & WNST-APL-2

Winston Workstation® for Apple iMac | Parts List

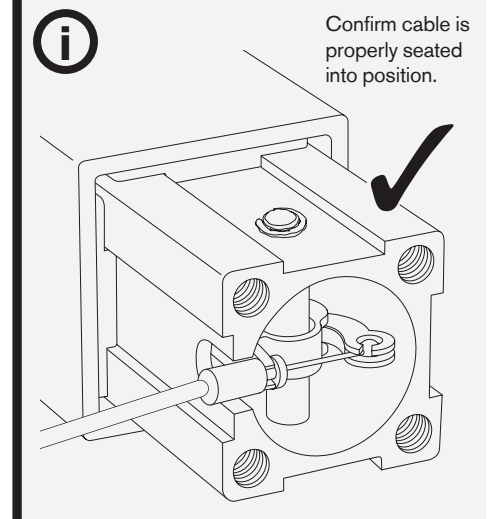
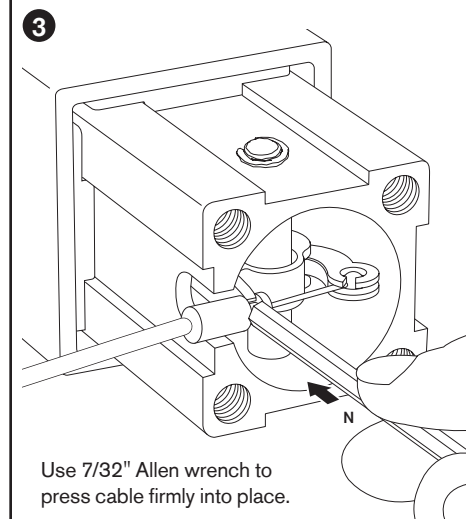
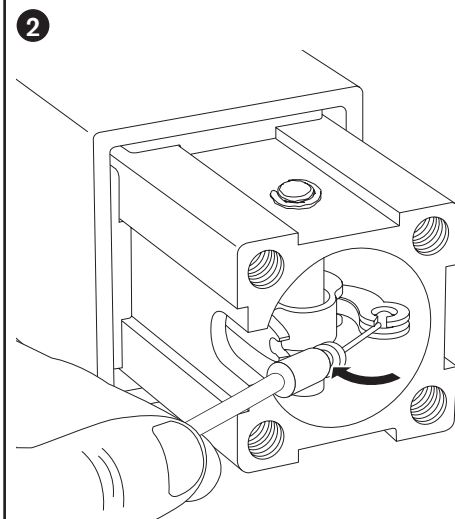
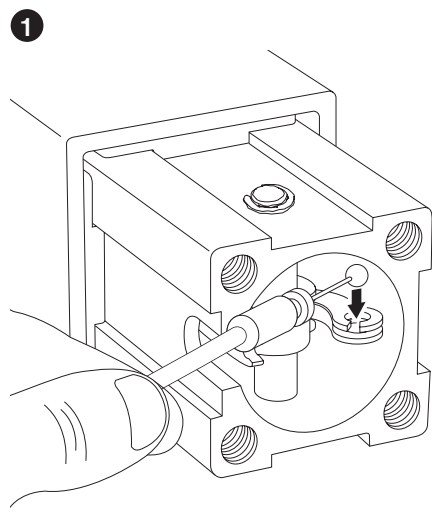
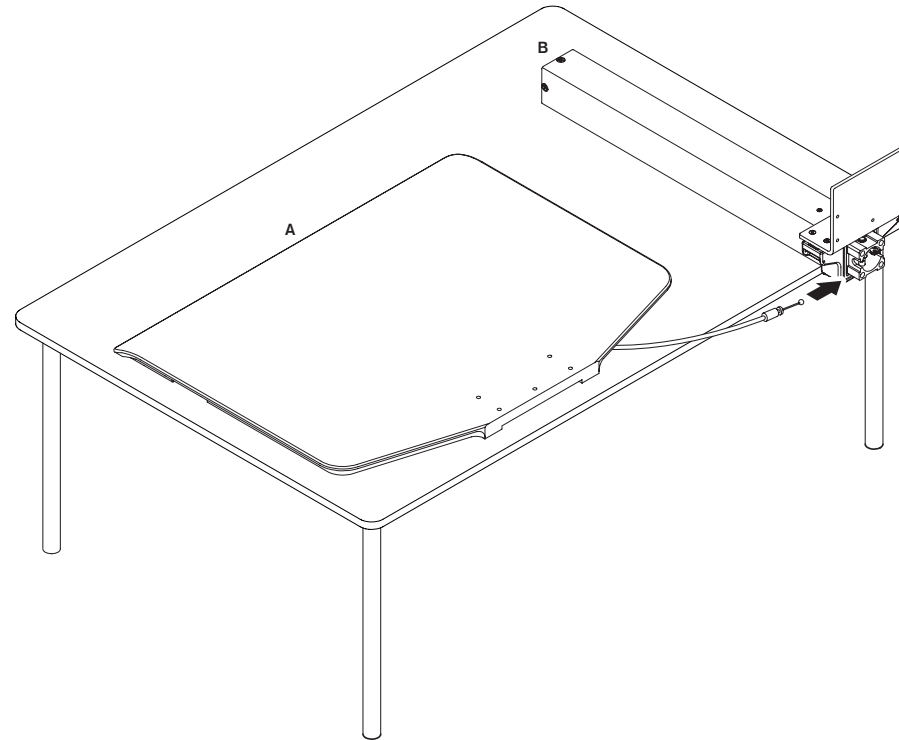
<p>A</p> <p>Work Surface 111435</p> 	<p>F</p> <p>3/8-16 x 1" FHSCS 701124</p> 	<p>K</p> <p>Center Beam (10" or 30") 111098-10 or 111098-30</p> 	<p>P</p> <p>Column Cap 111275-708</p> 	<p>U</p> <p>Monitor Cup 411351</p> 
<p>B</p> <p>Column 411470</p> 	<p>G</p> <p>Screws 713273</p> 	<p>L</p> <p>Column Clamp 111040</p> 	<p>Q</p> <p>10-32 x 3/8" PhFHS 702281</p> 	<p>V</p> <p>Dog Washer 111230-603</p> 
<p>C</p> <p>Felt Pad 111464</p> 	<p>H</p> <p>Top Plate 111736</p> 	<p>M</p> <p>1/8" Allen Wrench 701312</p> 	<p>R</p> <p>75/100 mm VESA Adapter 105587</p> 	<p>W</p> <p>10-32 x 1/2" FHSCS 711240</p> 
<p>D</p> <p>Freestanding Base 111248</p> 	<p>I</p> <p>Utility Tray 113025</p> 	<p>N</p> <p>7/32" Allen Wrench 701127</p> 	<p>S</p> <p>Standard Monitor Tilter 405397</p> 	<p>X</p> <p>Column Cable Clip 111203-708</p> 
<p>E</p> <p>Cable Retainer 111735</p> 	<p>J</p> <p>FHSCS 10-32 x 1-1/2" 711101</p> 	<p>O</p> <p>End Cap 111159-708</p> 	<p>T</p> <p>M4 x 12mm PhPHS 702096</p> 	

STEP 1

COLUMN

IMPORTANT: Do not pull excessively on cable – doing so may result in accidental actuation of column.

CAUTION: Do not press height adjust button until unit is fully assembled.

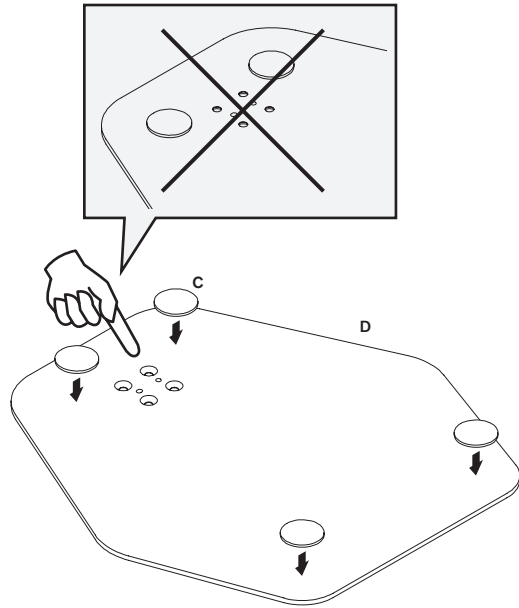


Confirm cable is properly seated into position.

STEP 2

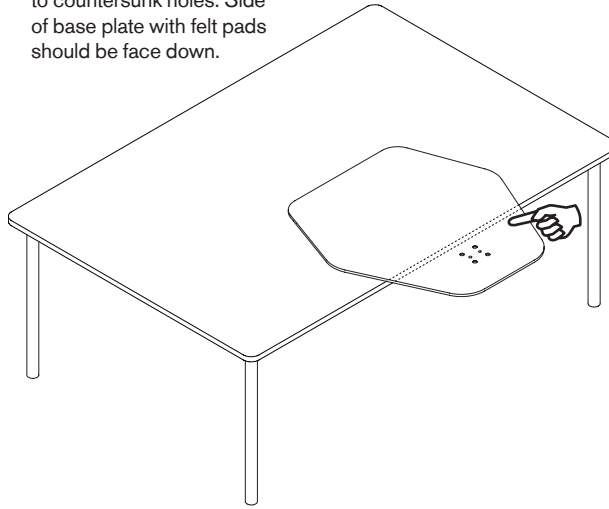
MOUNT

1



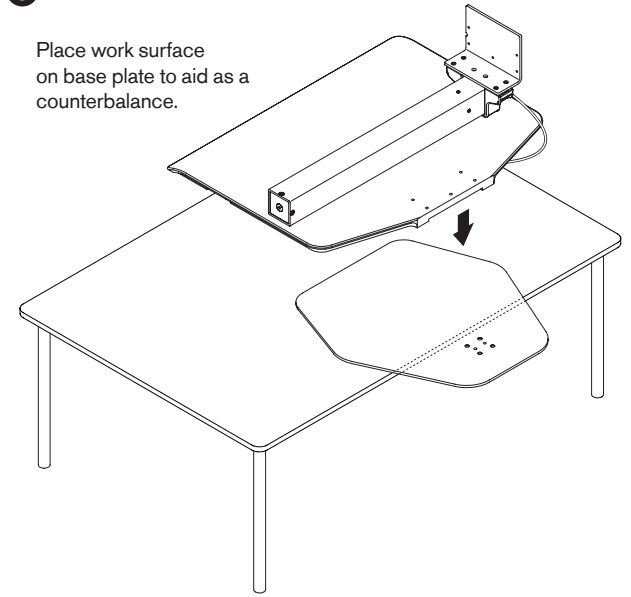
2

Hang base plate over edge of work surface to allow access to countersunk holes. Side of base plate with felt pads should be face down.

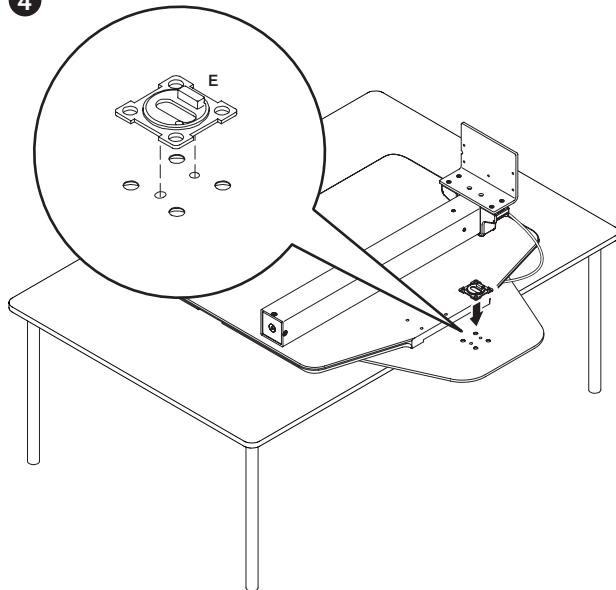


3

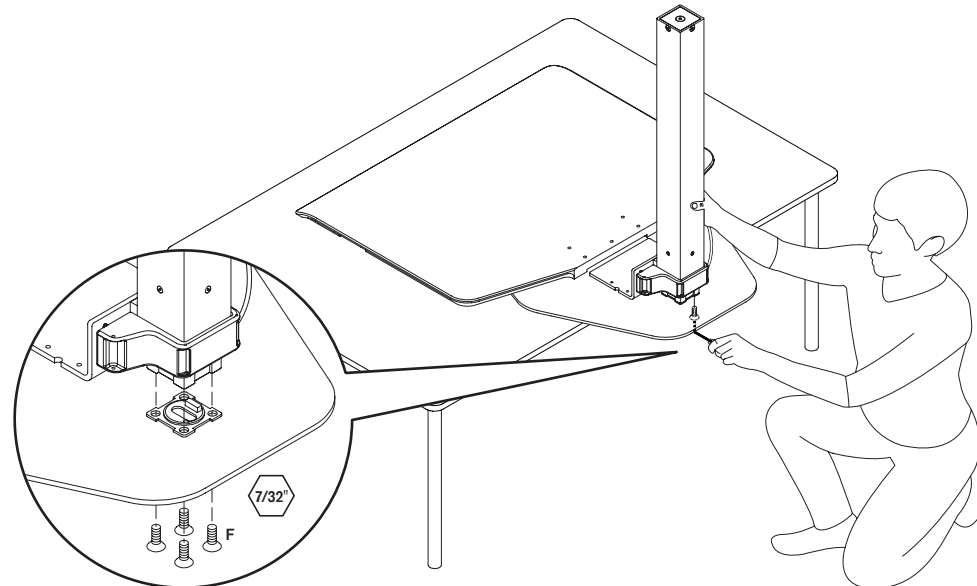
Place work surface on base plate to aid as a counterbalance.



4



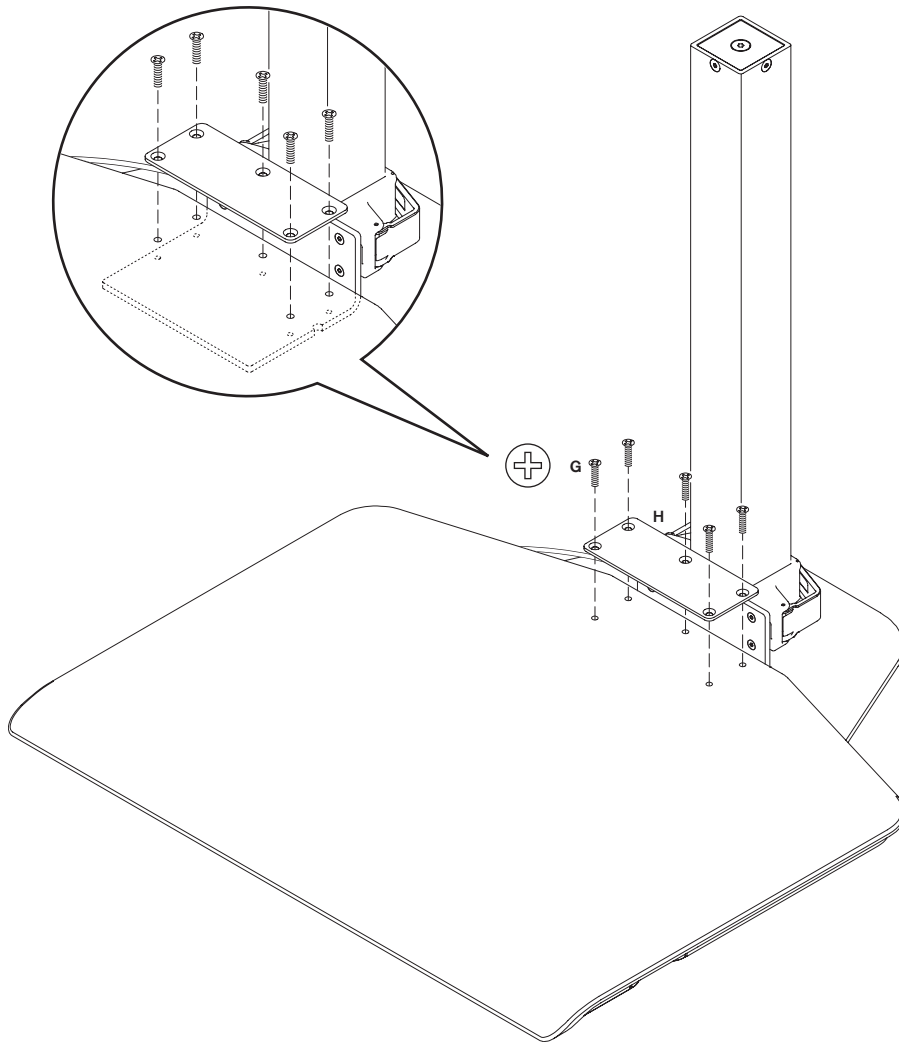
5



STEP 3

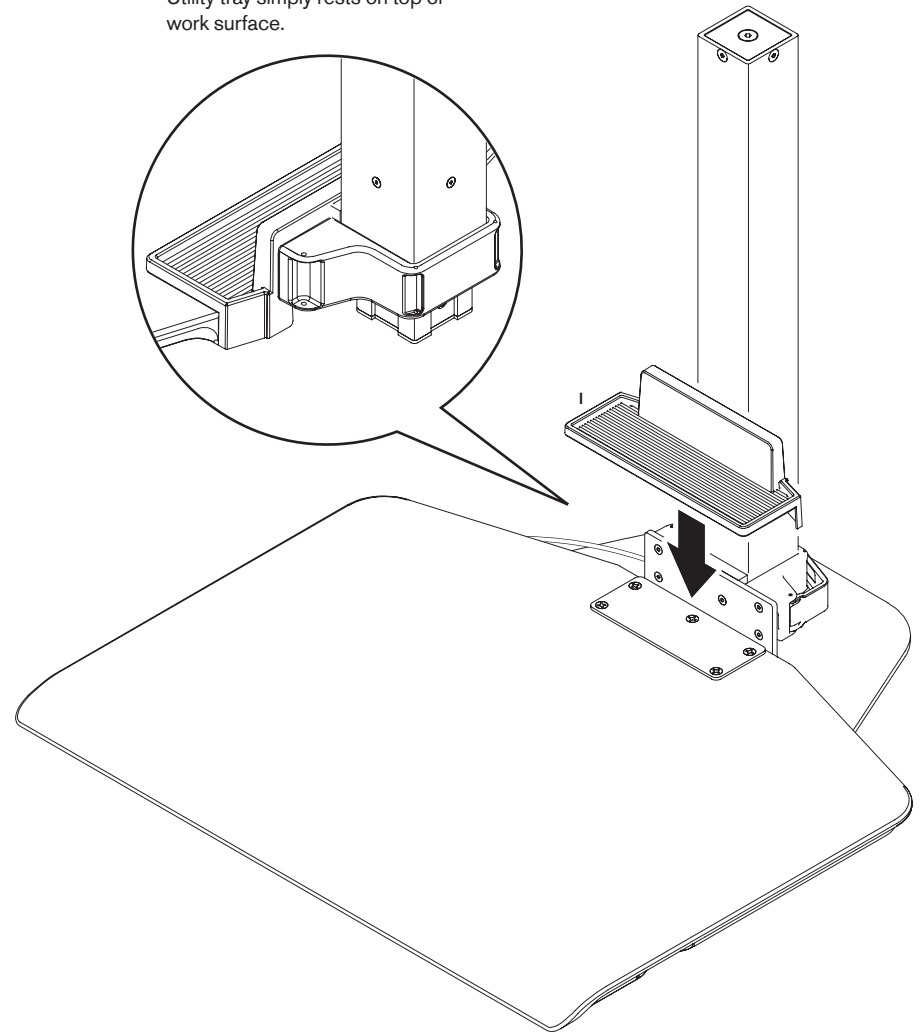
WORK SURFACE

1



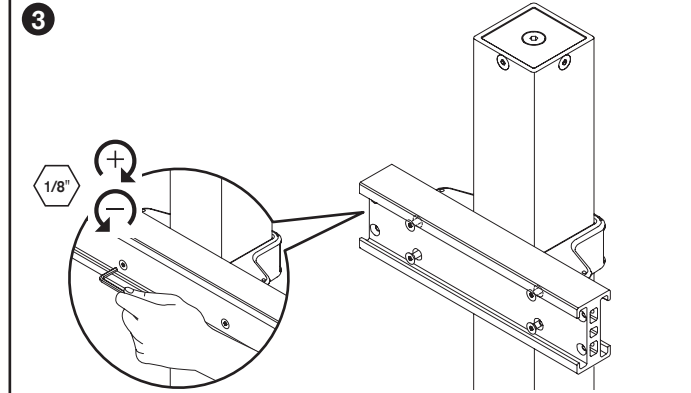
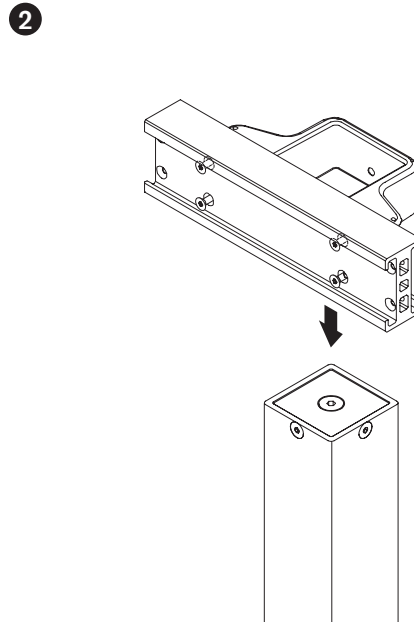
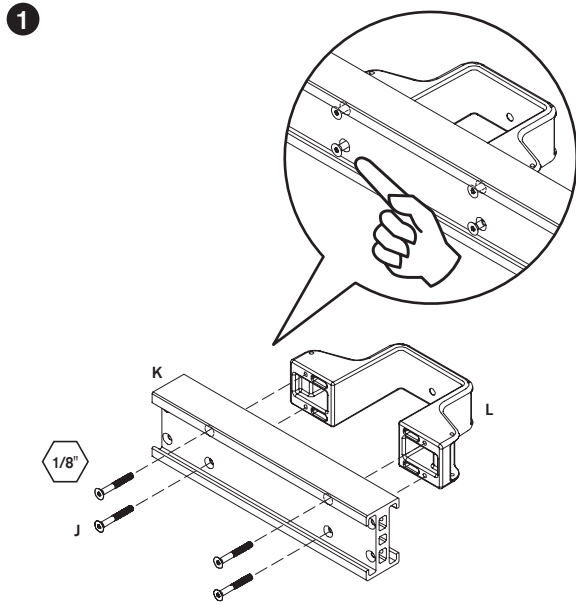
2

Slide utility tray onto work surface.
Utility tray simply rests on top of
work surface.

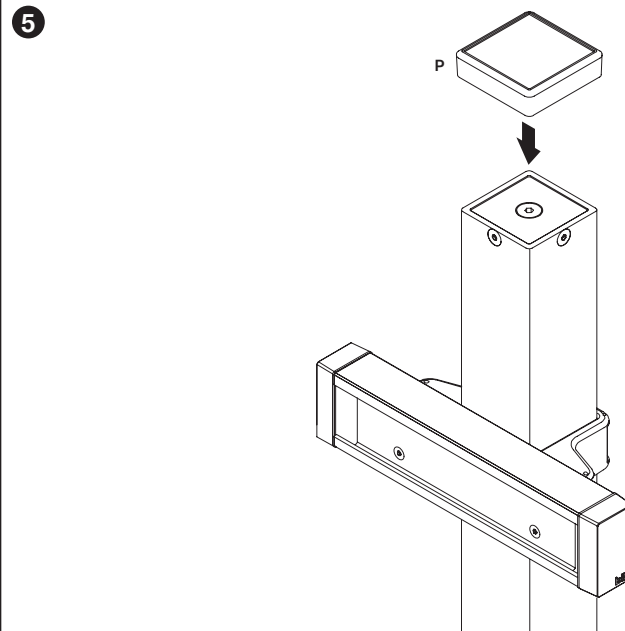
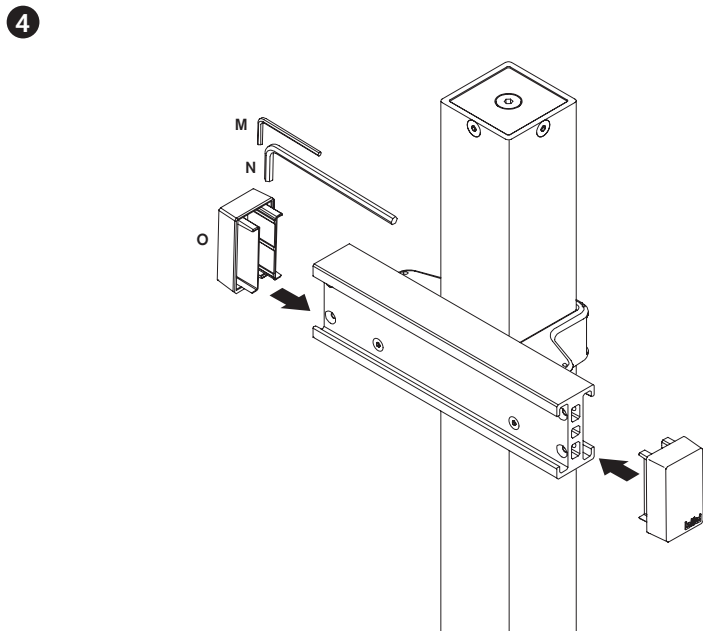
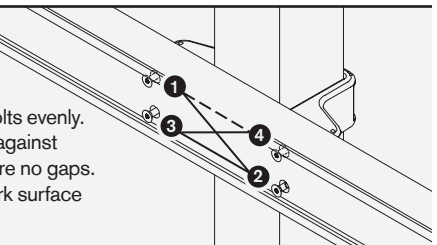


STEP 4

BEAM



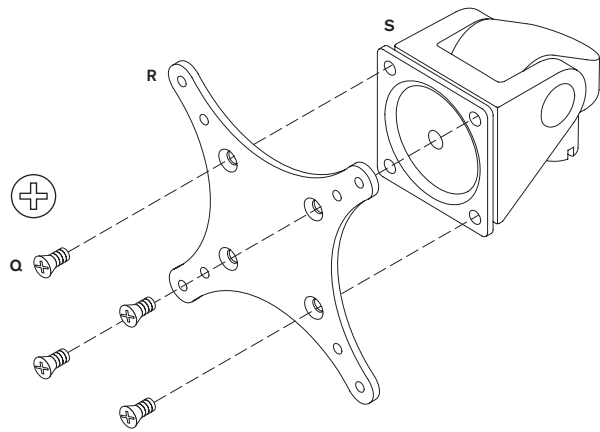
IMPORTANT: Tighten bolts evenly. The beam should sit flush against the column, ensure there are no gaps. Also, it is important the work surface clamp is level.



STEP 5

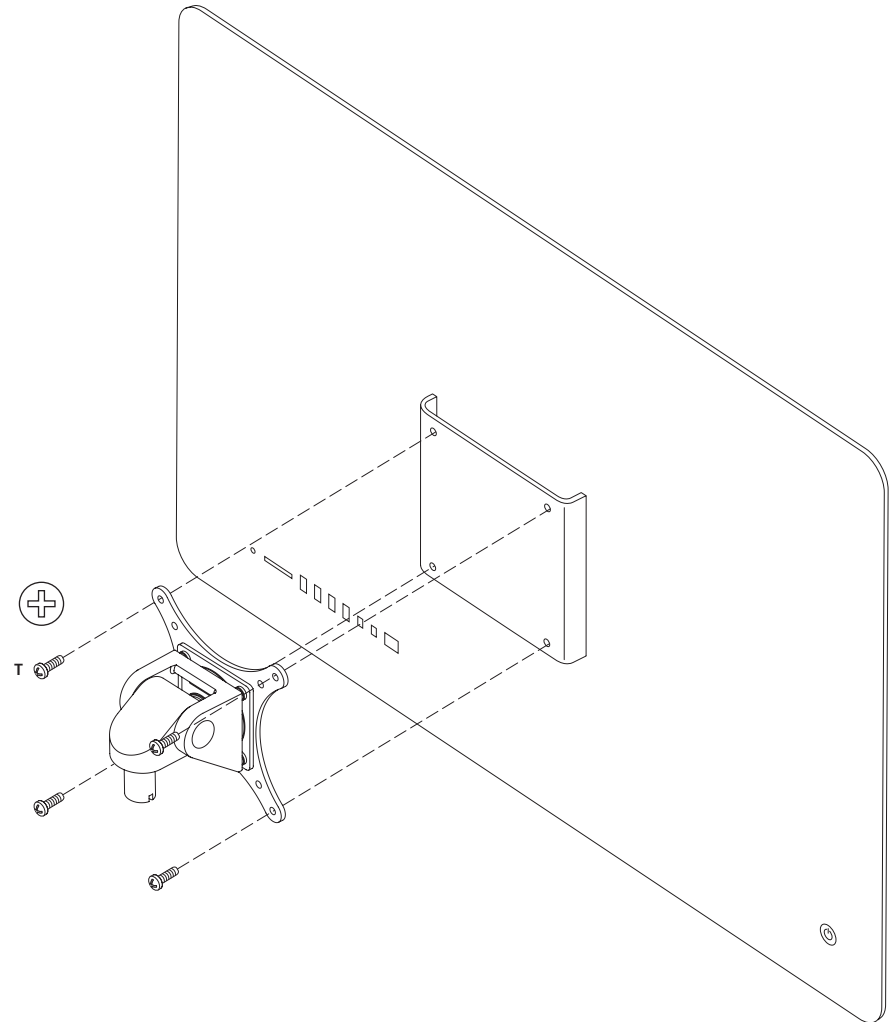
MONITOR TILTER

1



2

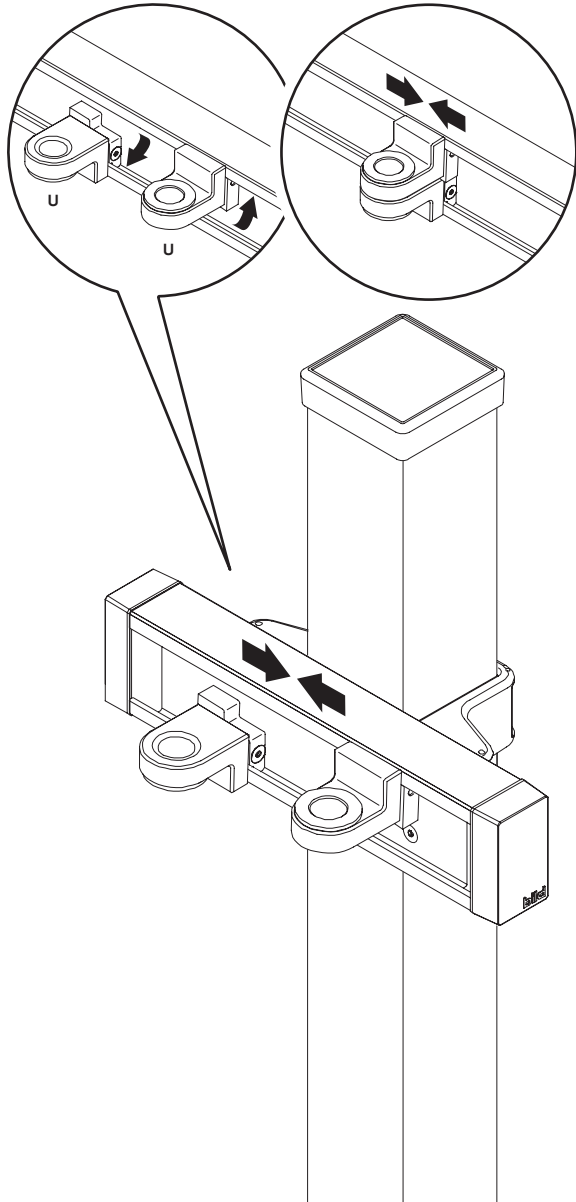
NOTE:
Requires VESA compatible iMac
or Apple VESA adapter
(not included).



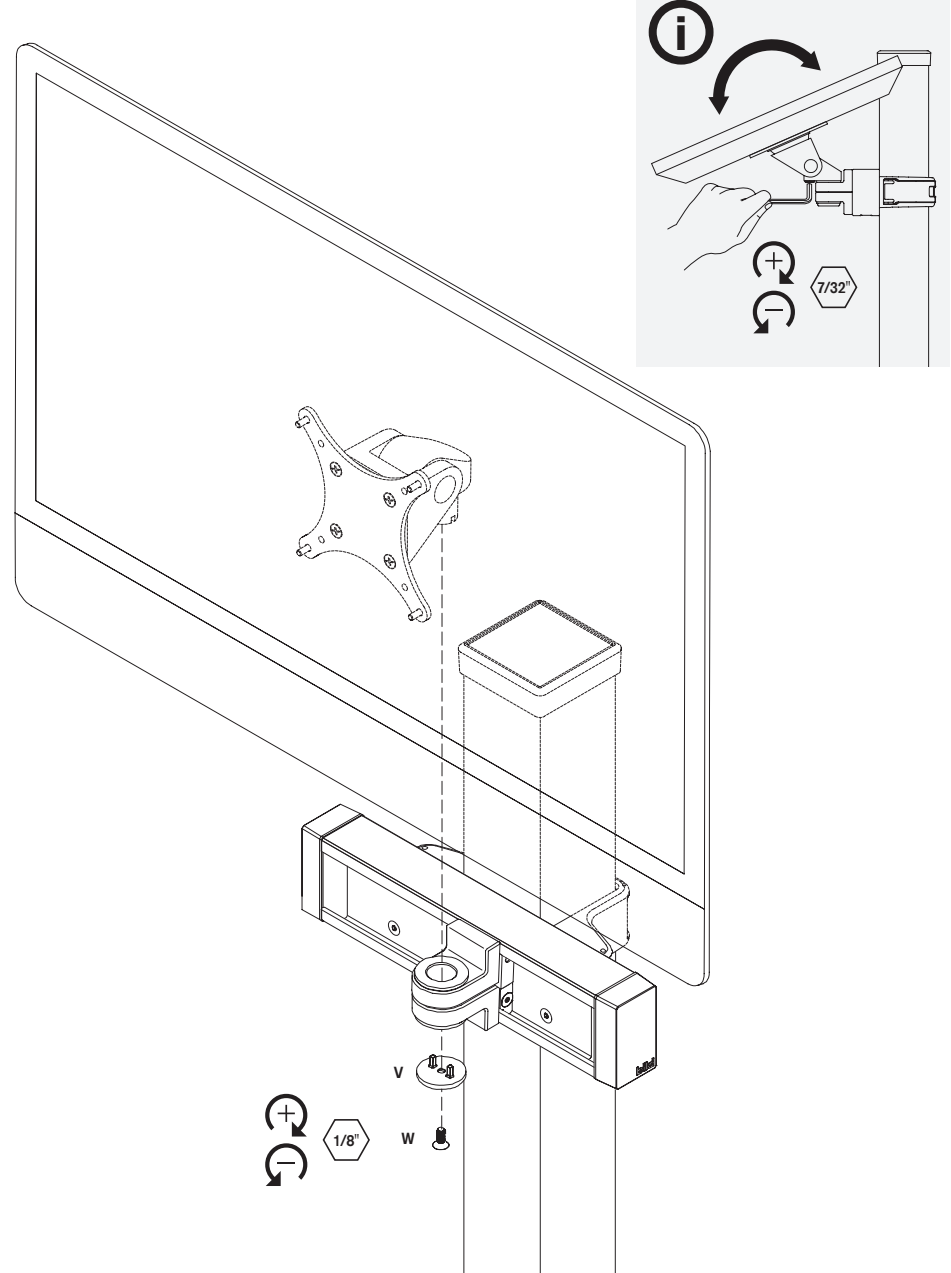
STEP 6

MONITOR CUPS

1



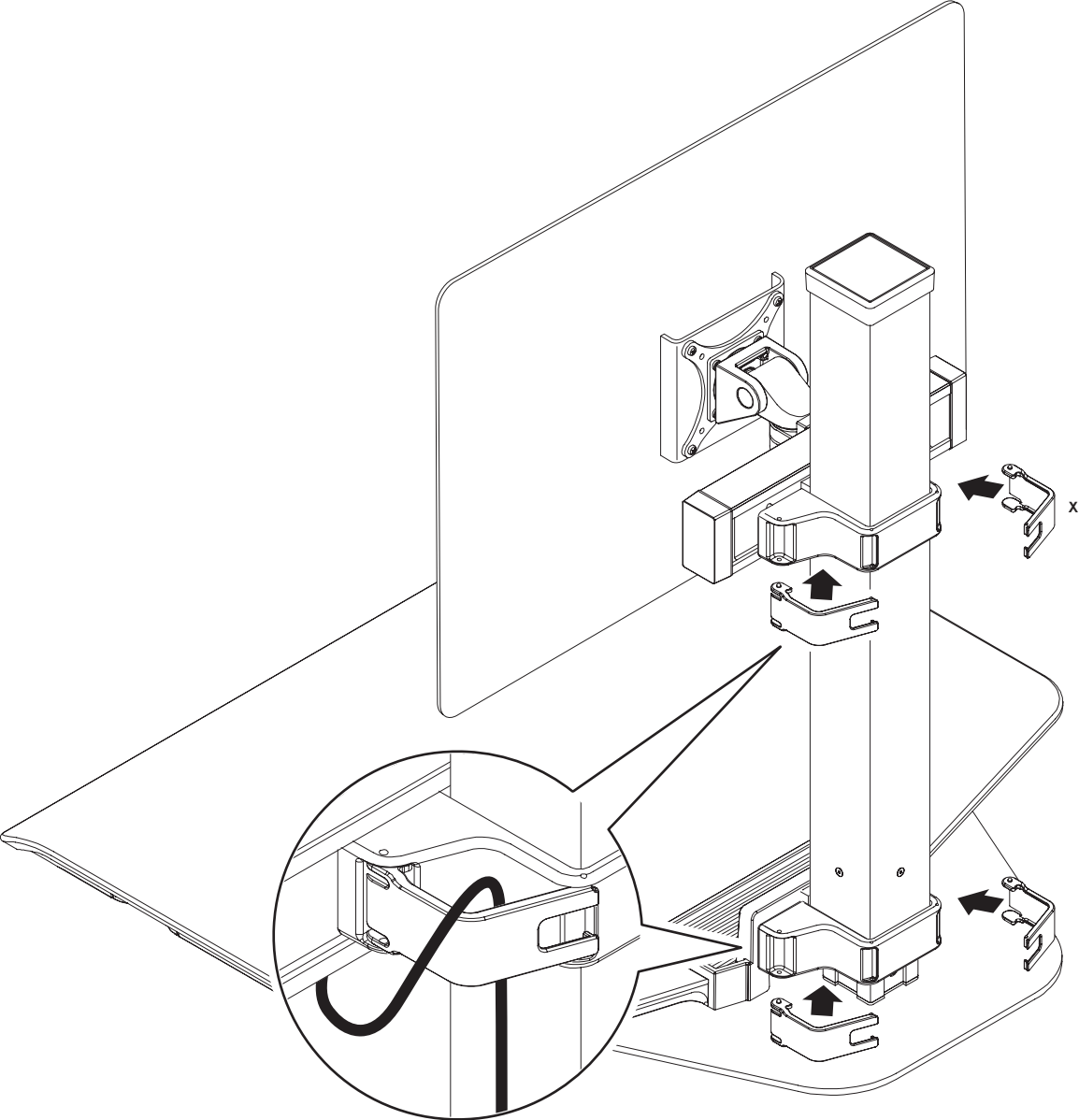
2



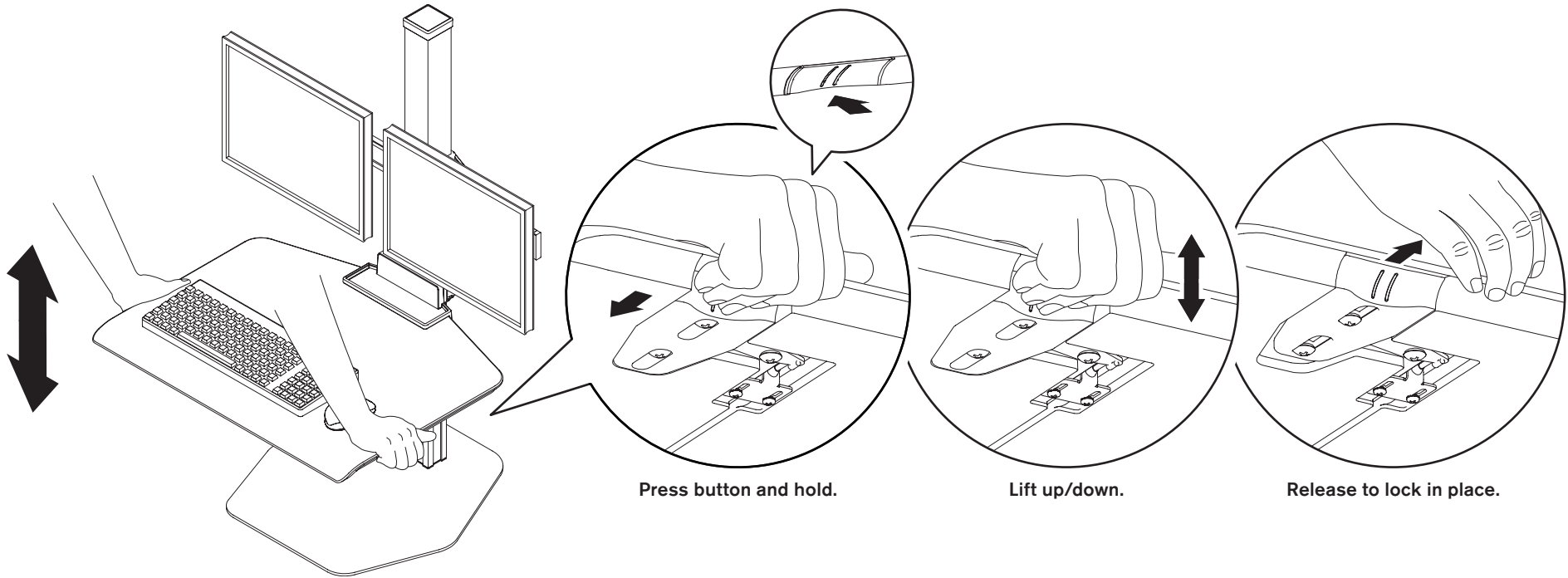
STEP 7

CABLE MANAGEMENT

1



HEIGHT ADJUSTMENT



i Is your height adjust button not working? If so, make the adjustments below.

- 1 Slide workstation so that the work surface hangs over desk edge to allow access to underneath the work surface.
- 2 Loosen the two screws as shown.
- 3 Slide bracket in the direction shown and tighten screws.
- 4 Test height adjust button – readjust by repeating the steps above as necessary.

