

WARNING



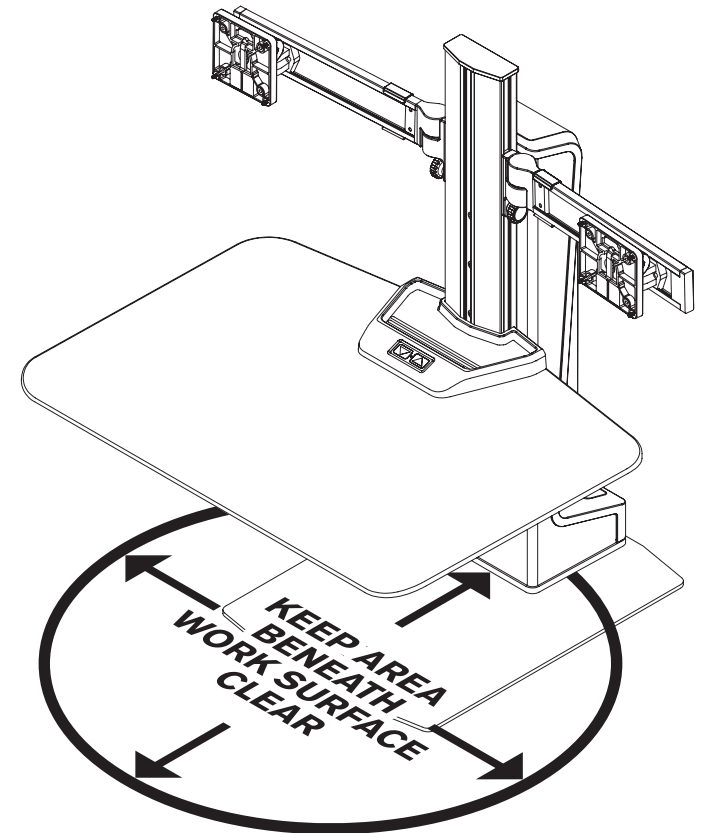
WARNING: FAILURE TO CAREFULLY FOLLOW ASSEMBLY, SAFETY, AND OPERATION INSTRUCTIONS AND WARNINGS REGARDING THIS PRODUCT MAY RESULT IN BODILY INJURY AND/OR PROPERTY DAMAGE.

Liability: The manufacturer does not accept warranty claims or liability claims for damages arising from improper use of Winston-E. For safe use, do not place any objects or body parts underneath the worksurface. Make sure no body parts, objects or furnishings are located above the Winston-E. When using Winston-E, make sure no hands, fingers or other body parts are near the lifting column or between the cross beam and worksurface. Winston-E must be set on a level, stable surface for safe use.

Additional Warning: Do not use Winston-E if it has a damaged cord or plug. Winston-E should not be carried by the cord. Pull on the plug, not the cord, to unplug Winston-E. Keep liquids away from Winston-E. Keep hair, loose clothing, fingers, and body parts away from openings and moving parts.

Switch off power supply and remove main power supply plug before installation or troubleshooting. Ensure no cables or cords can get jammed or stripped when raising or lowering Winston-E. Ensure all wires are not entangled in the Winston-E and have enough length when the unit is raised to the desired height.

WINSTON-E IS NOT A TOY. Children should not use Winston-E. Do not crawl, lie, or move around the unit. Do not sit, kneel, or stand on the worksurface. Do not use Winston-E if you are distracted or are under the influence of medications that can cause diminished control. Winston-E is not a toy and should only be installed and used by someone familiar with and capable of adhering to the warnings and instructions.

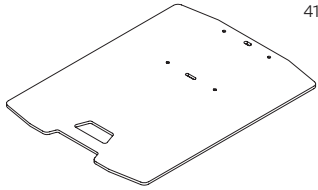


WARRANTY

Winston-E includes a 5 year limited warranty. This limited warranty covers any defects in materials and workmanship of the product. This limited warranty may not cover problems, damage or injuries caused by misuse, accidents or abuse. The manufacturer may require proof of purchase before performing any repairs or replacing products during the warranty period. This warranty is non-transferable and applies only to the original purchaser.

PARTS LIST

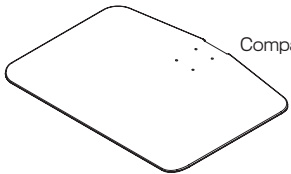
A Freestanding Base 1x
412268



B M6 x 1 x 16mm FPhMS 4x
702013



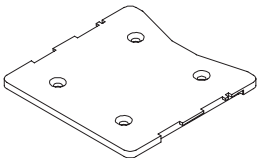
C Worksurface 1x
111700
or
Compact Worksurface
112896



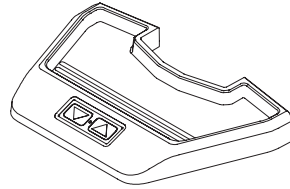
D M6 x 1 x 25mm FPhMS 4x
711870



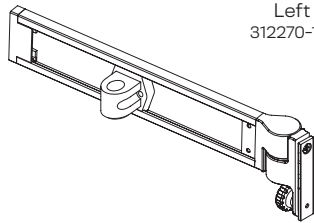
E Worksurface Plate 1x
111701



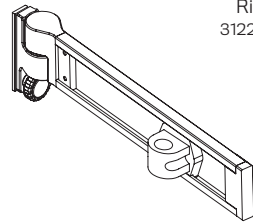
F Utility Tray 1x
412269



G Left Wing 1x
312270-12.5-L



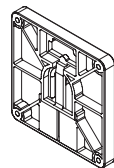
H Right Wing 1x
312270-12.5-R



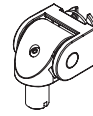
I Cap 1x
112057



J Quick Connect VESA Plate 2x
114808



K Monitor Tilter 2x
8500 Tilter



L M4 x 12mm Phillips Pan Head Screw (4-pack) 2x
702096



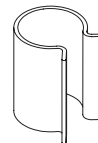
M Dog Washer 2x
111230-603



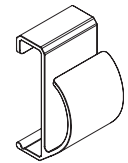
N 10-32 x 1/2" FHSCS 2x
711240



O Column Cable Clip 2x
112626



P Wing Cable Clip 2x
112082



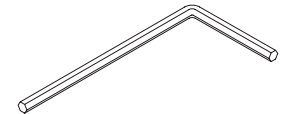
Q 3/32" Allen Wrench 1x
700146



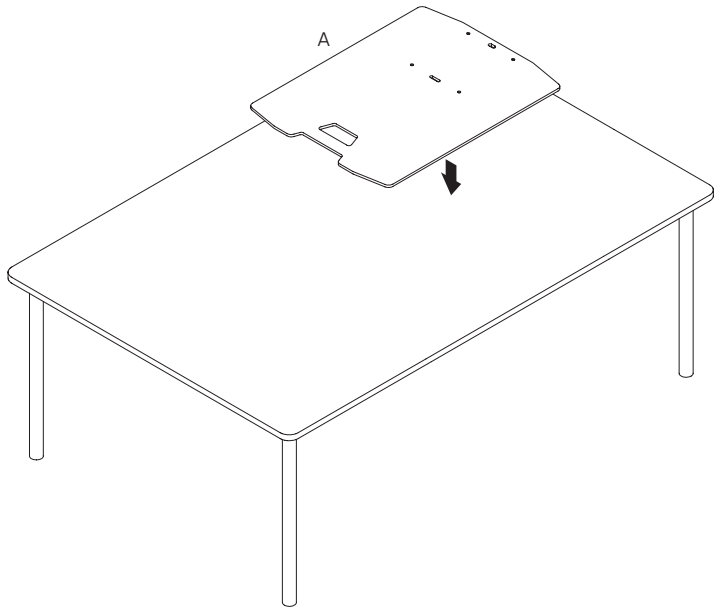
R 1/8" Allen Wrench 1x
701312



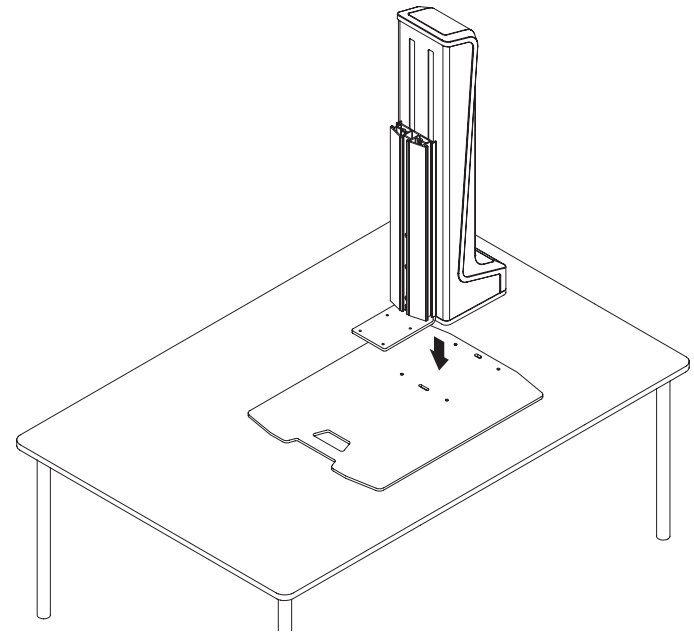
S 7/32" Allen Wrench 1x
701127



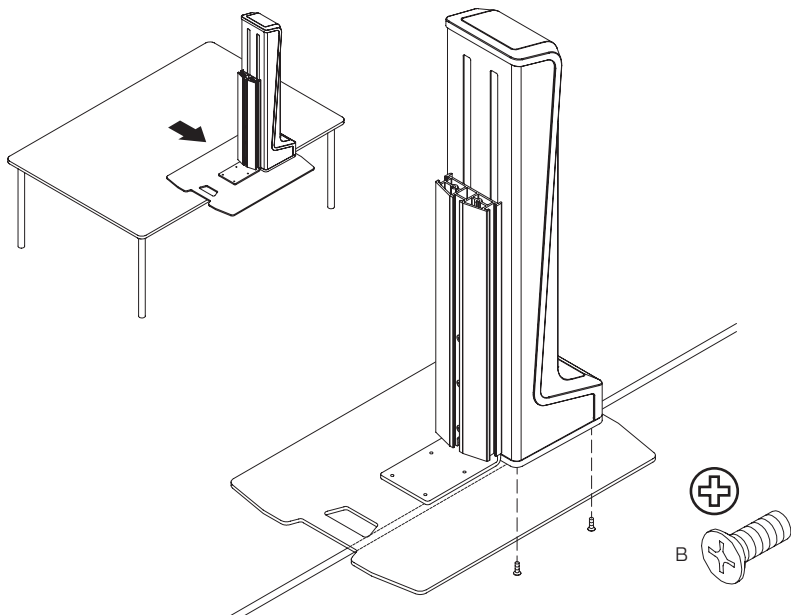
1



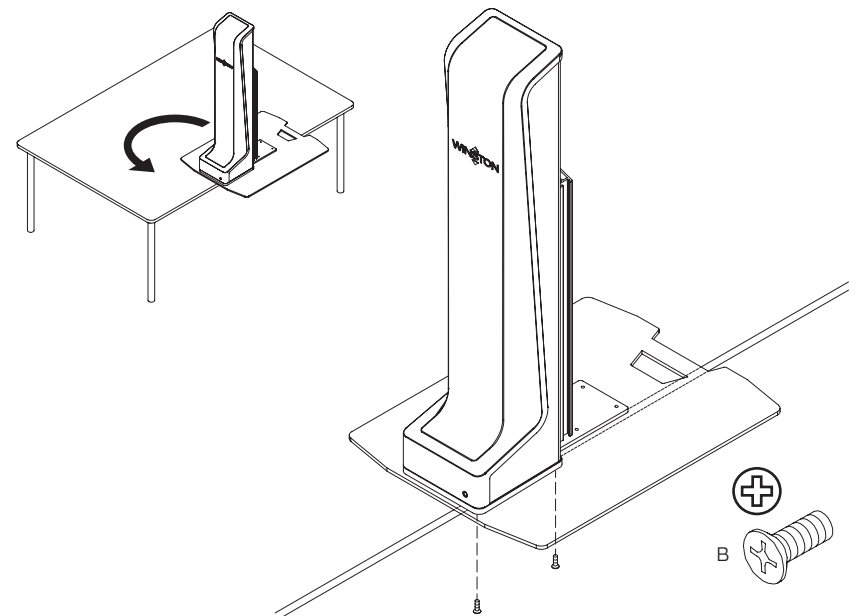
2



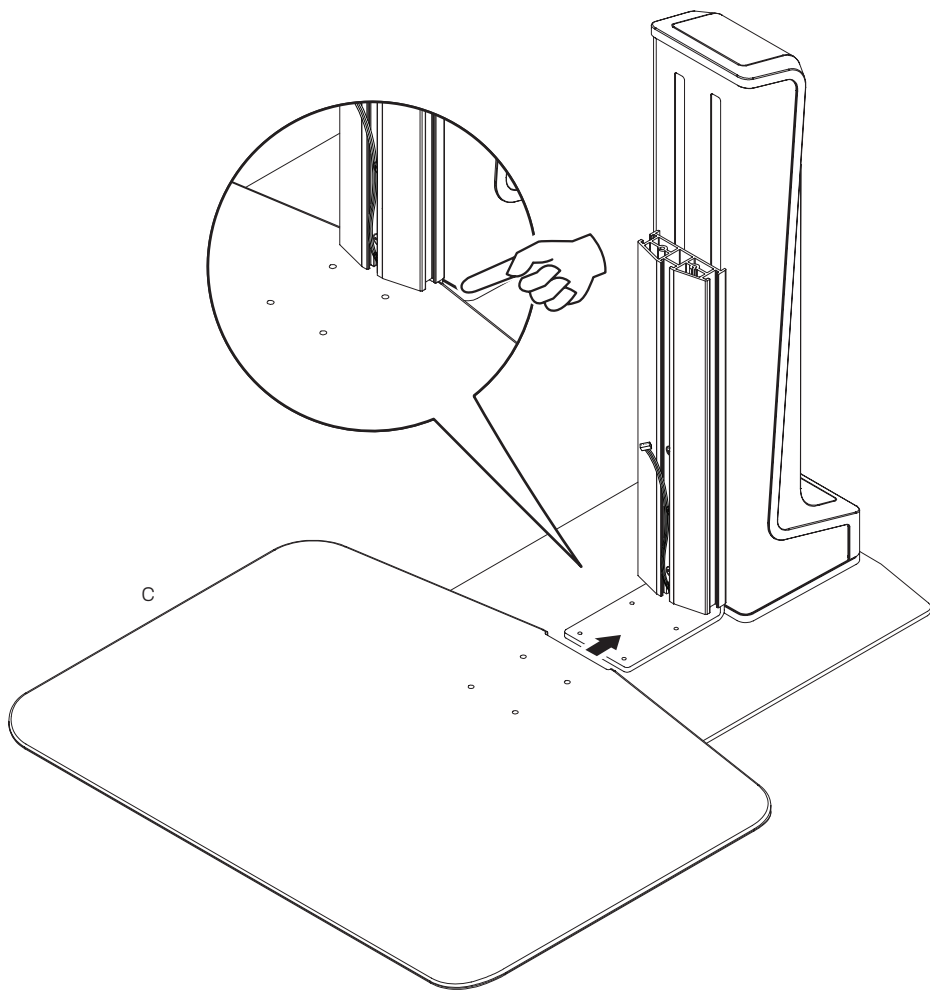
3



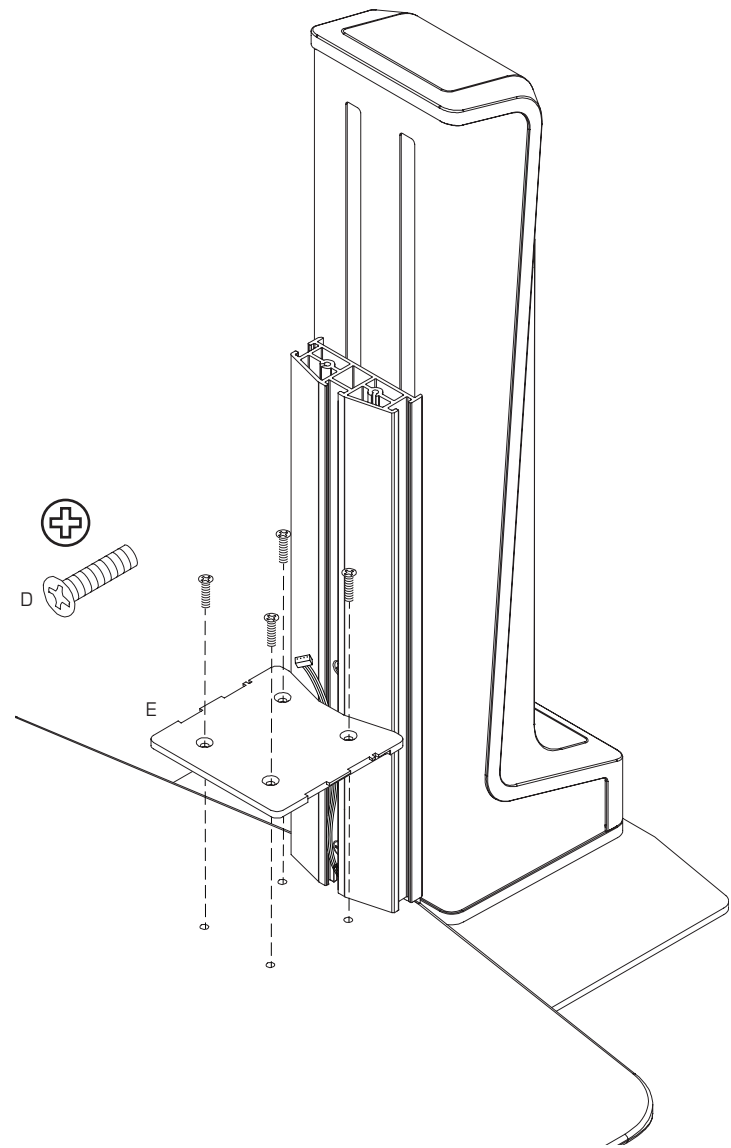
4



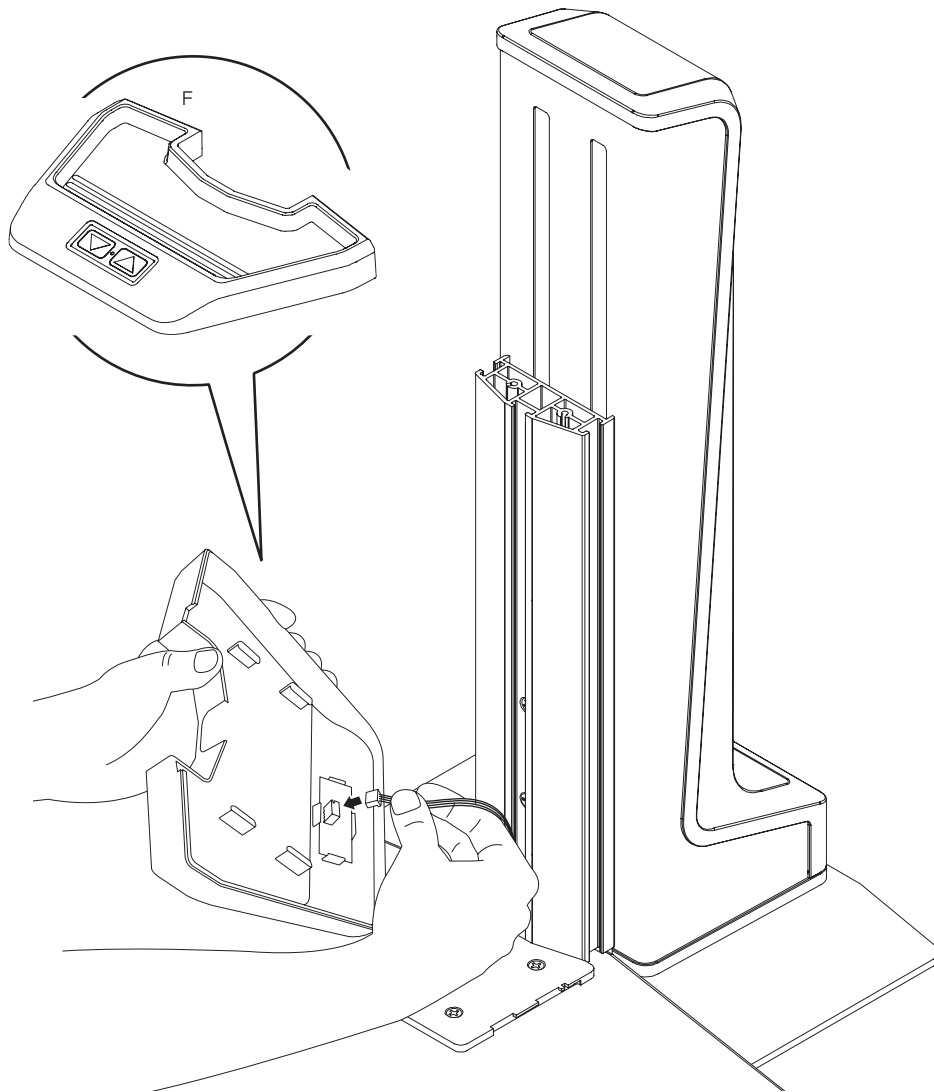
5



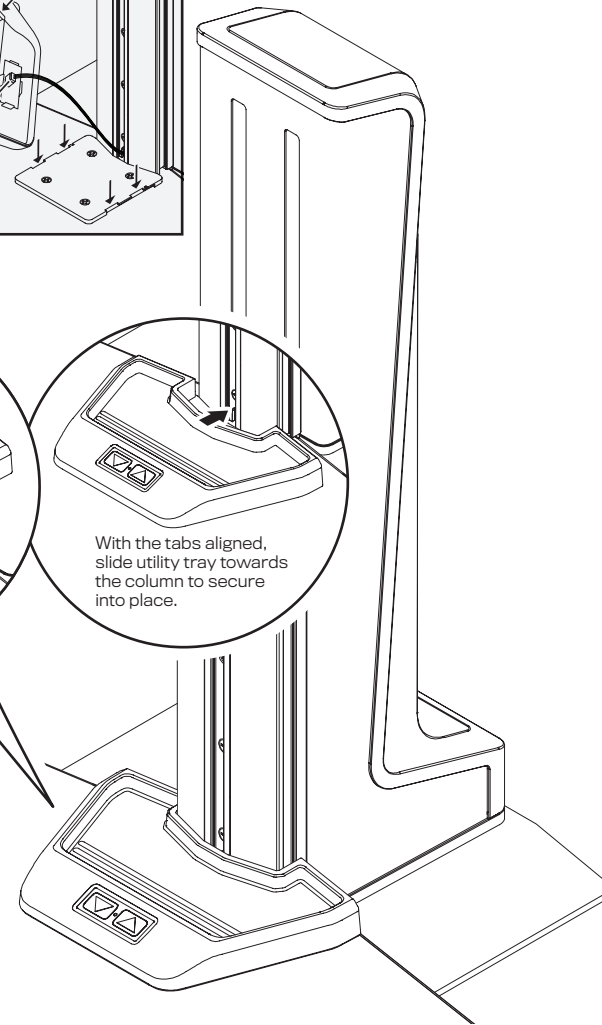
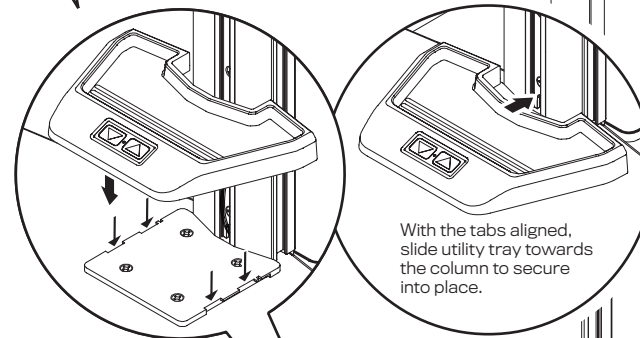
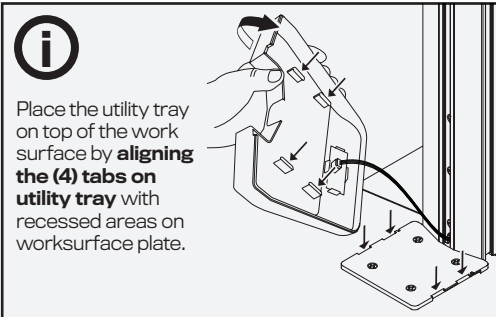
6



7

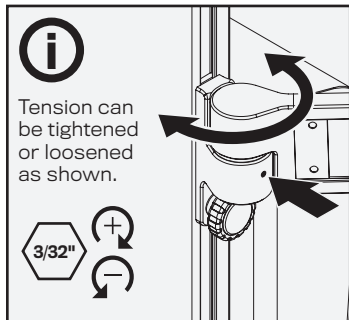
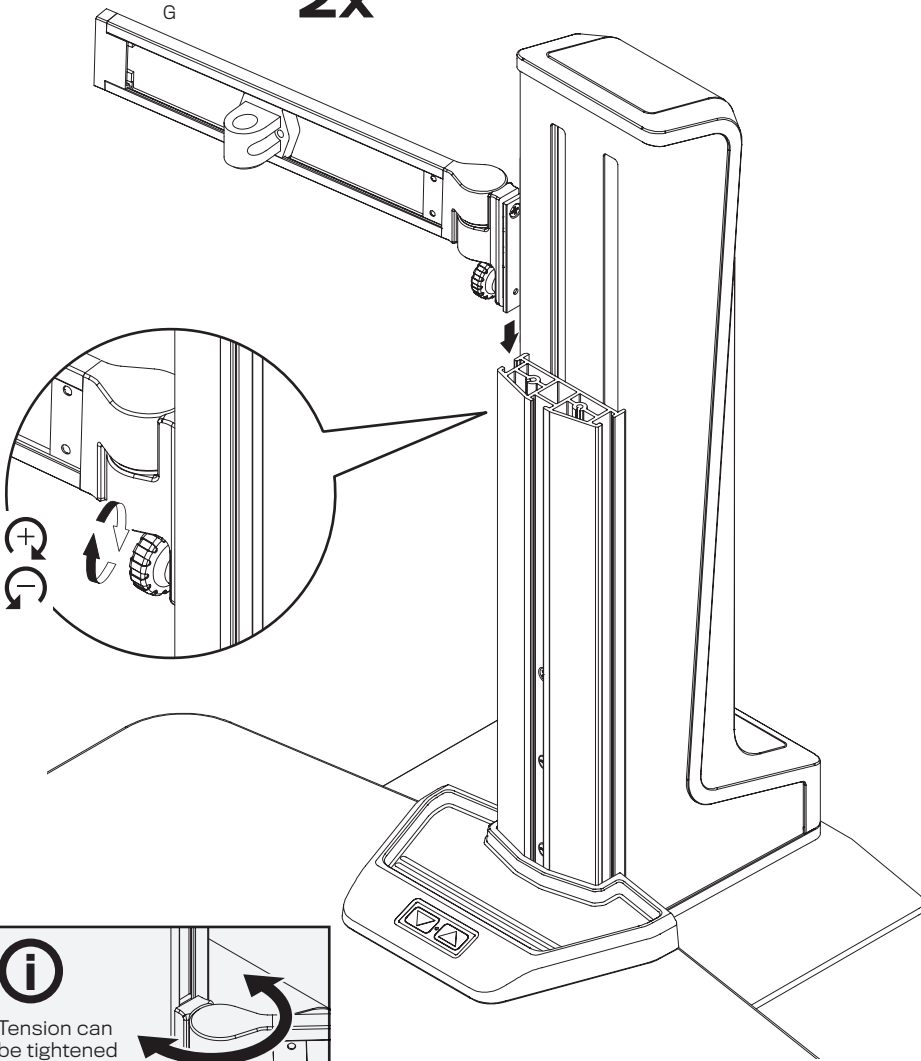


8

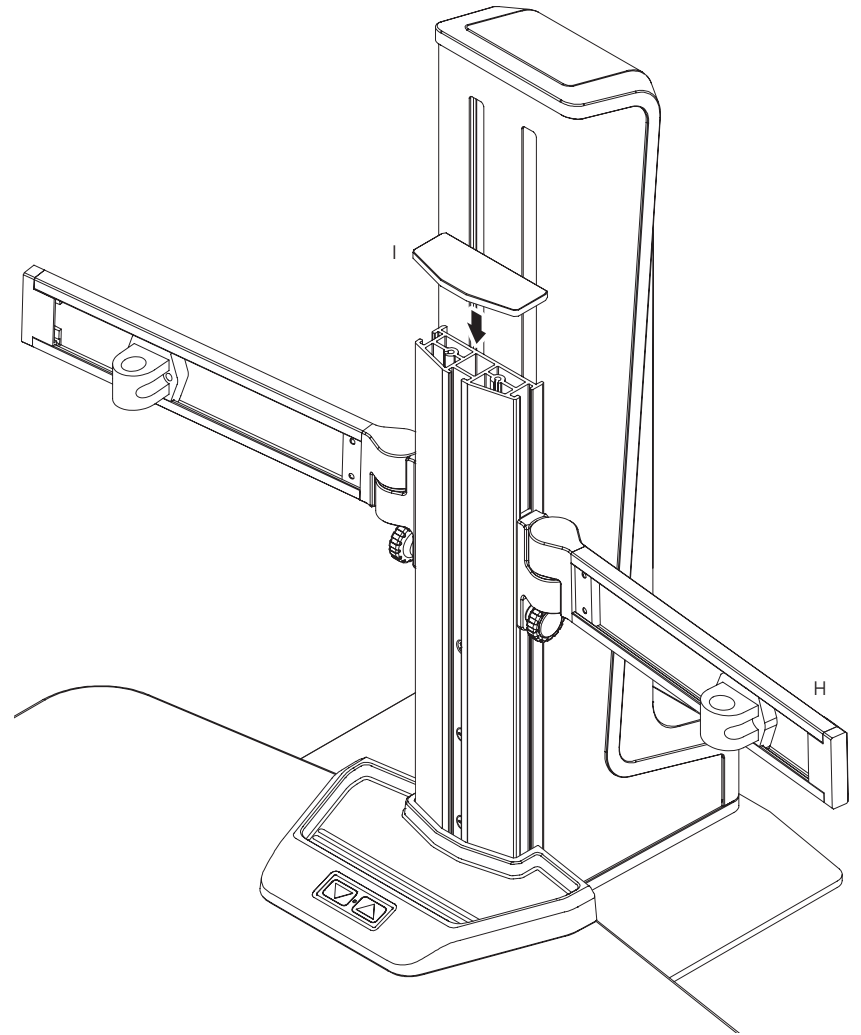


9

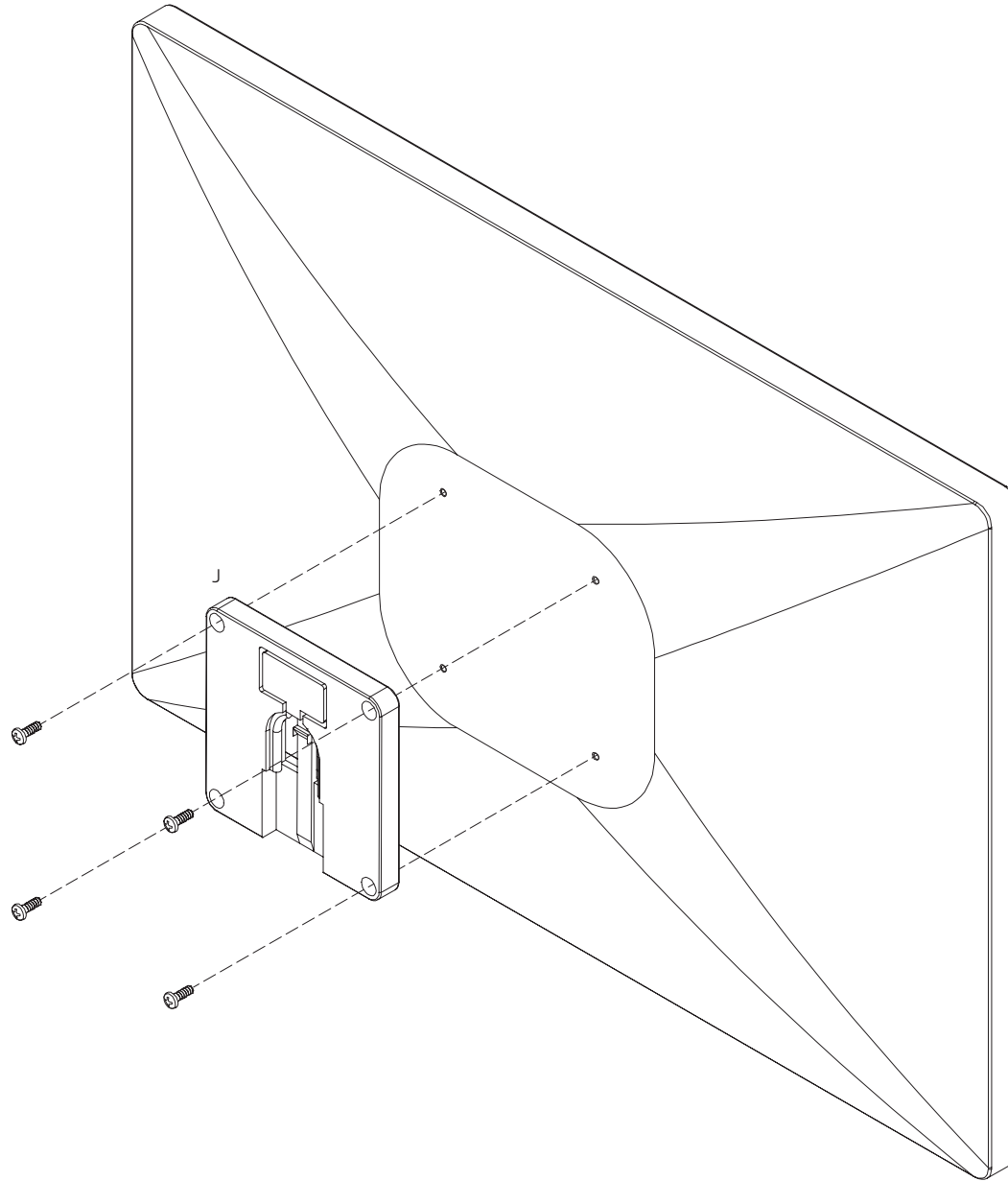
2x



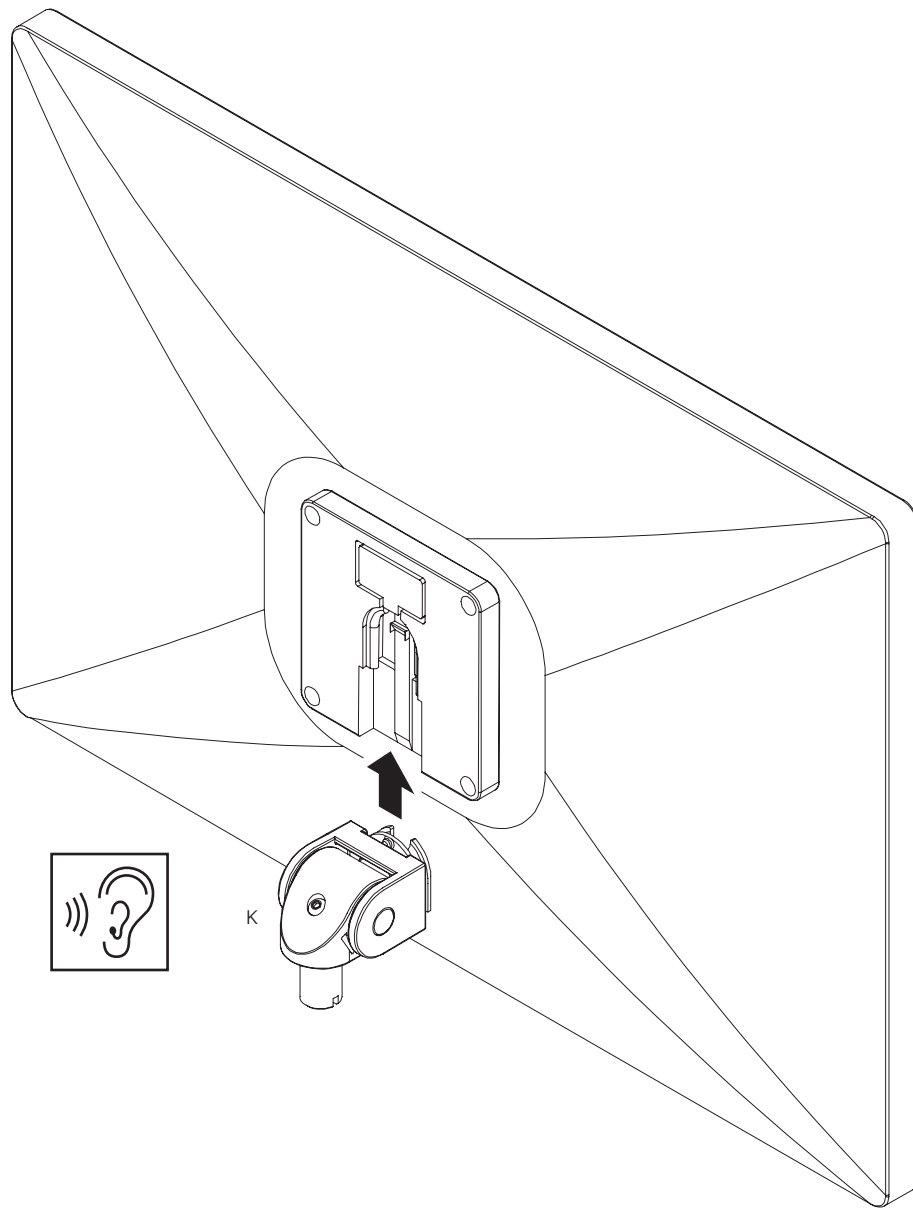
10



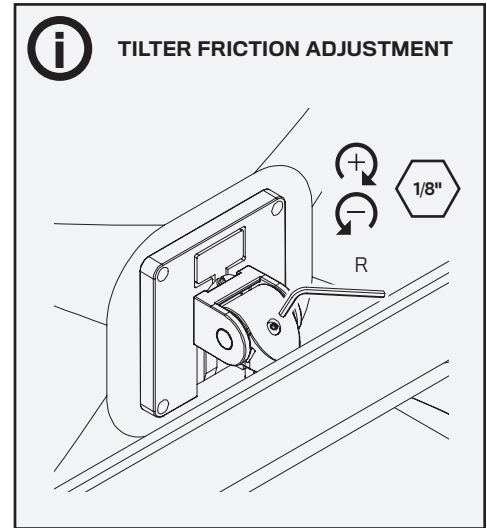
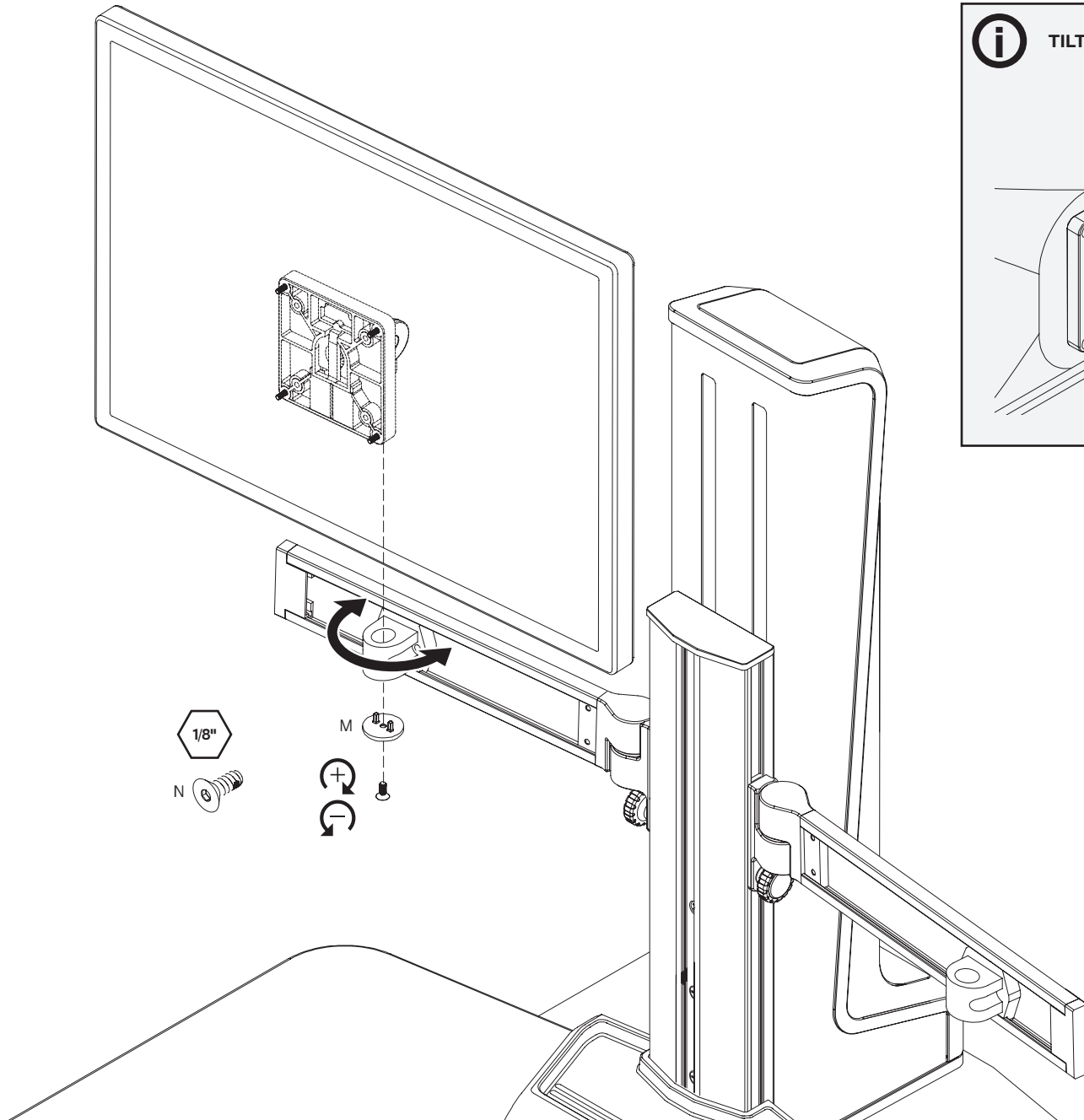
2x



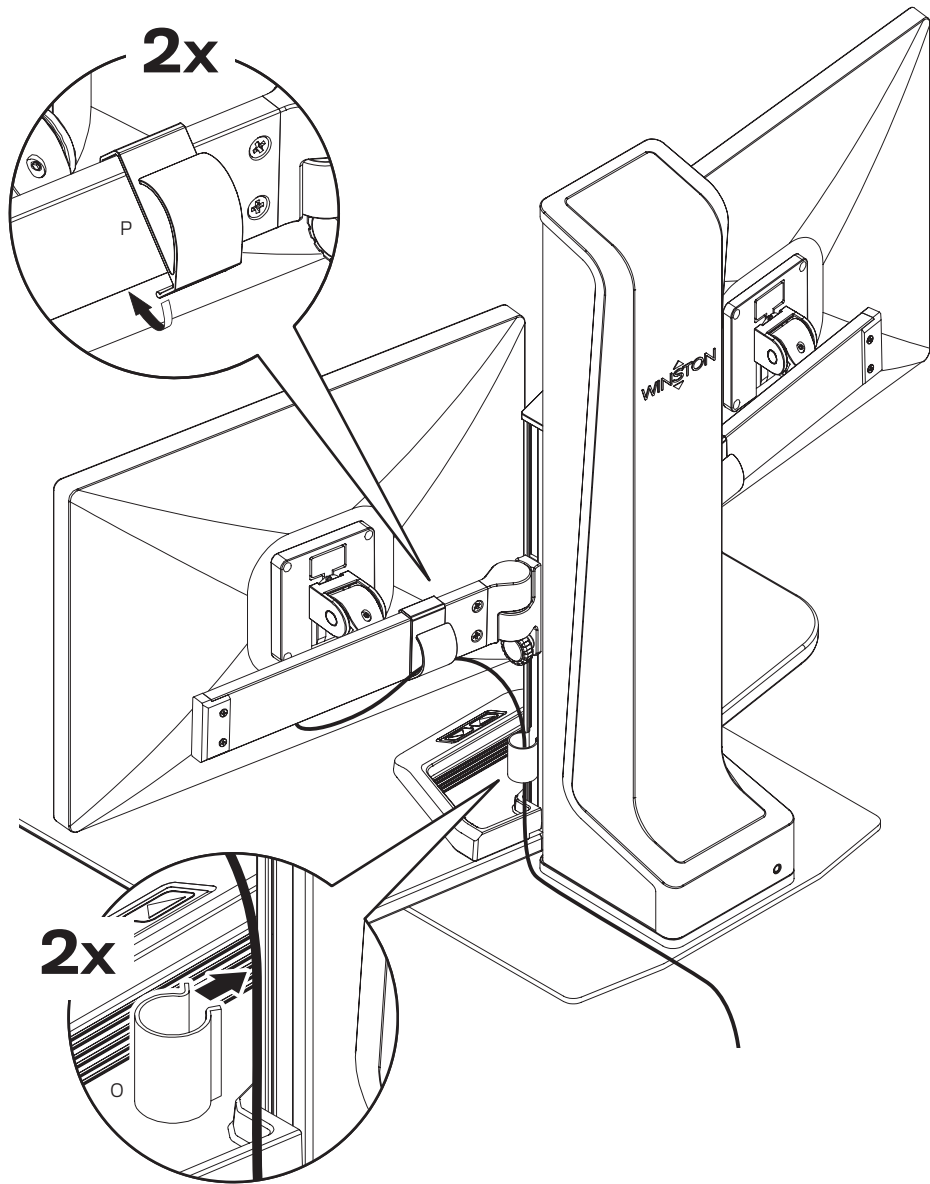
2x



2x



14



15

