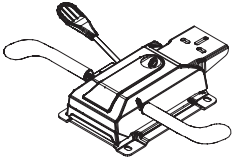
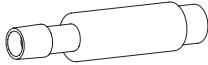

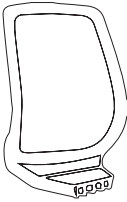
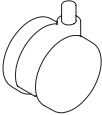
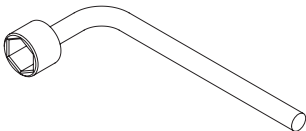

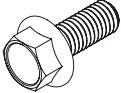
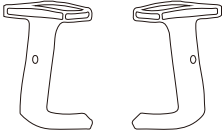
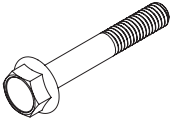
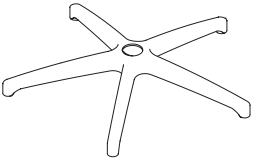
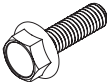
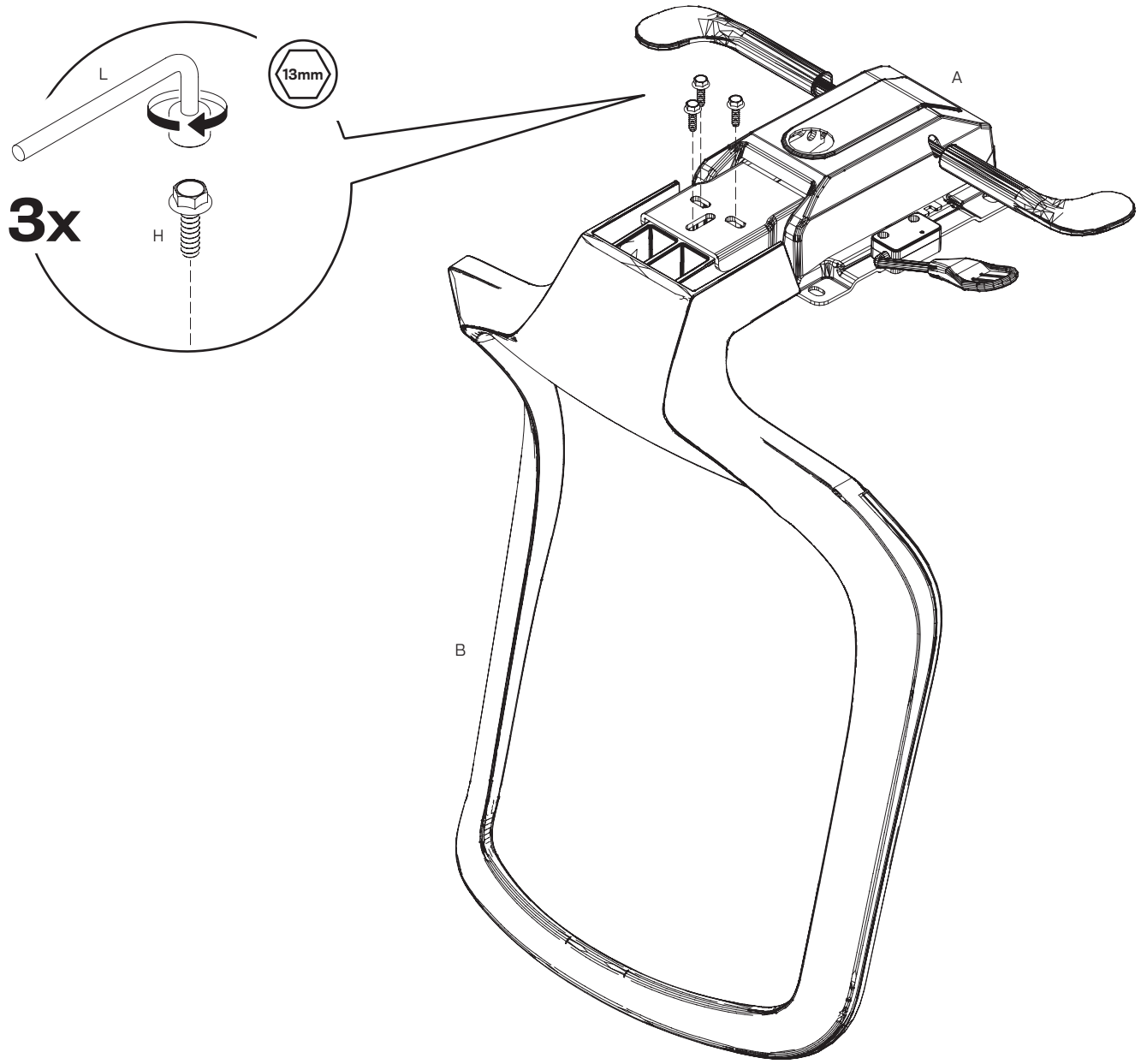


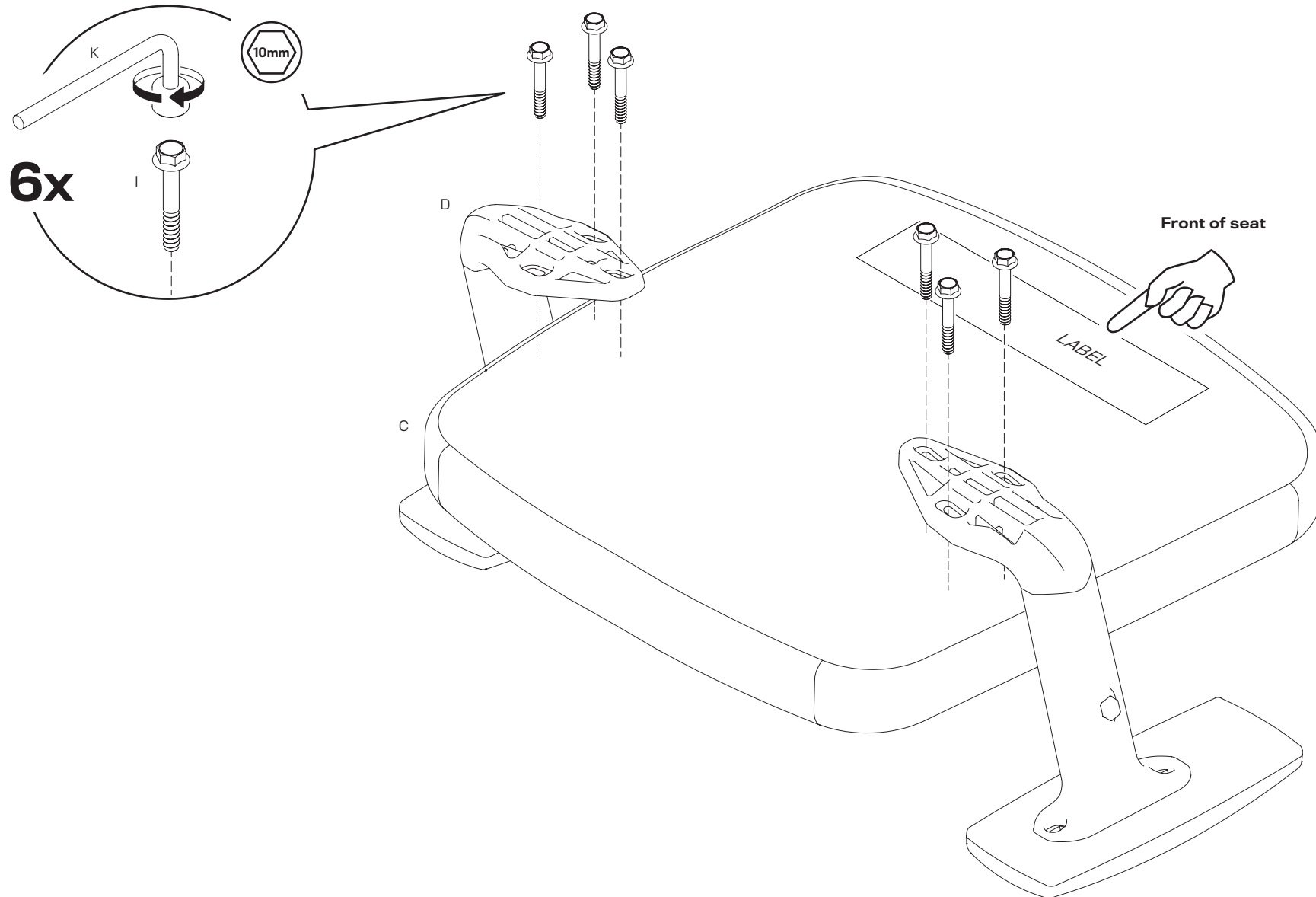


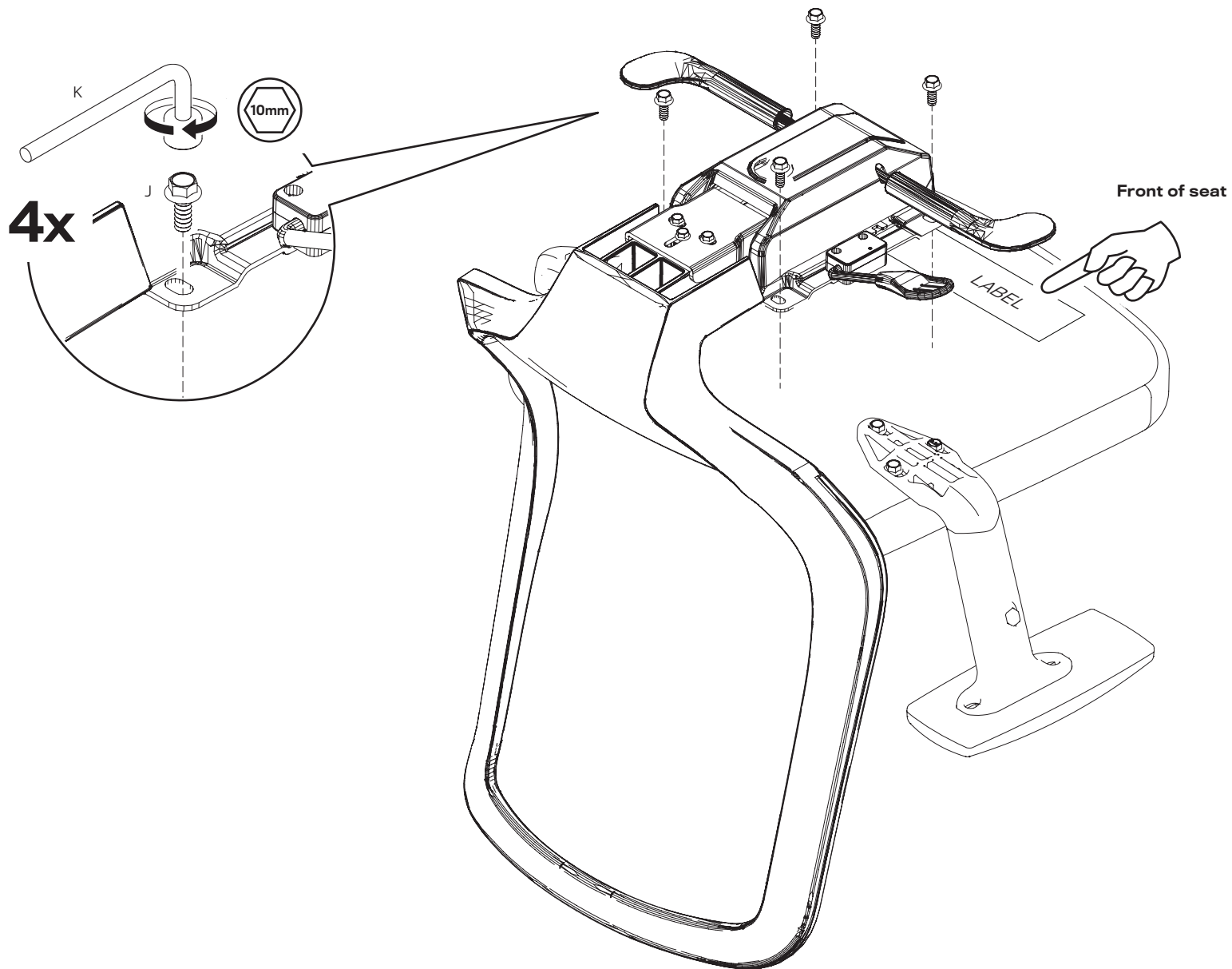
# PARTS LIST

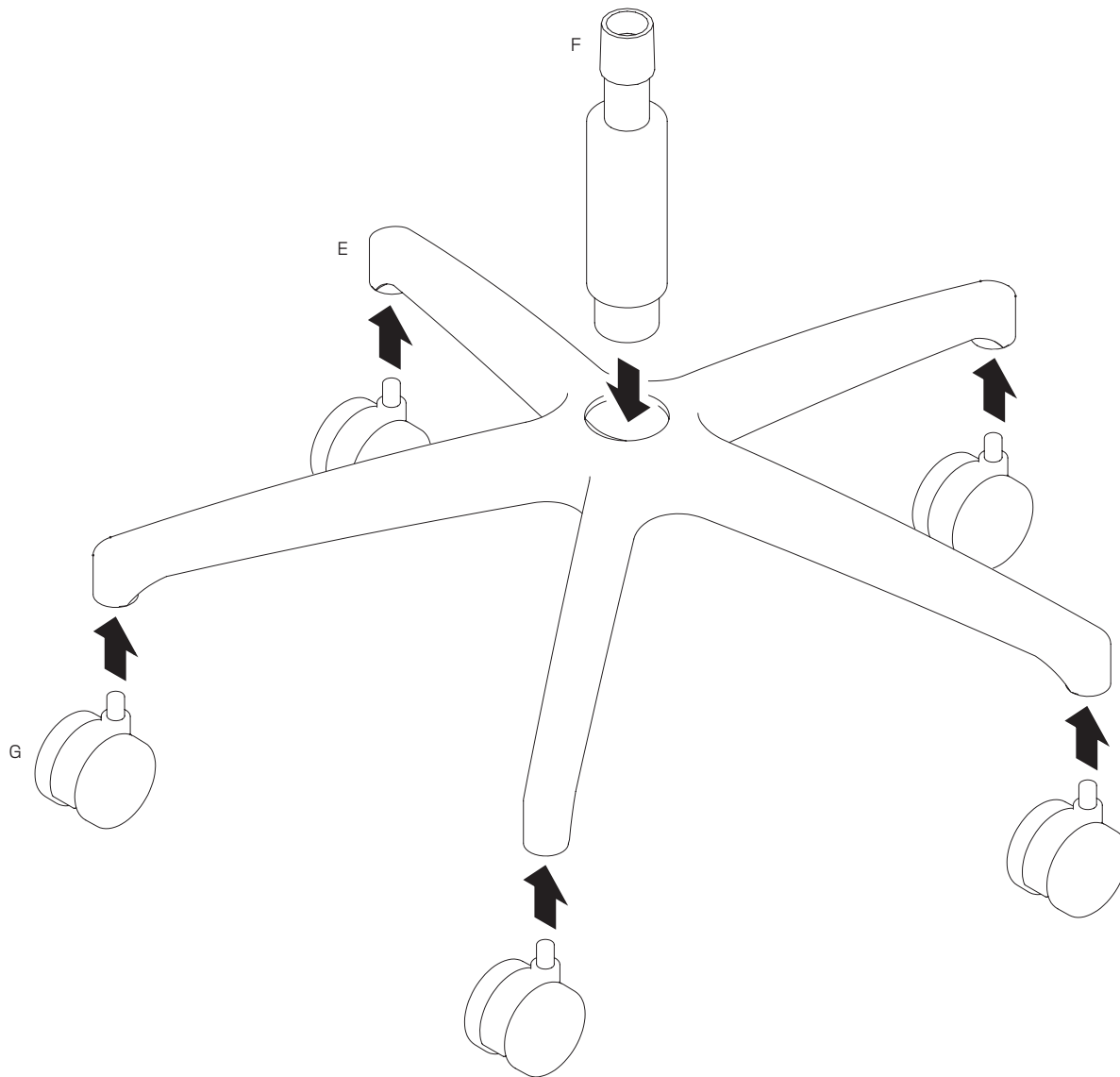
<p>A</p>  <p>Control 436152</p> <p>1x</p>	<p>F</p>  <p>Gaslift 377330</p> <p>1x</p>	<p>K</p>  <p>10mm Socket Wrench 387260</p> <p>1x</p>
<p>B</p>  <p>Backrest Black Frame, Black Mesh = 701150 Black Frame, Light Grey Mesh = 701151 Black Frame, Dark Grey Mesh = 701152 White Frame, Black Mesh = 701160 White Frame, Light Grey Mesh = 701161 White Frame, Dark Grey Mesh = 701162</p> <p>1x</p>	<p>G</p>  <p>Casters 336650</p> <p>5x</p>	<p>L</p>  <p>13mm Socket Wrench 387261</p> <p>1x</p>
<p>C</p>  <p>Seat Jet Upholstery = 463094-JET Iron Upholstery = 463094-IRON Alloy Upholstery = 463094-ALLOY</p> <p>1x</p>	<p>H</p>  <p>Backrest Bolt - M8 x 20mm (3-pack) 387150</p> <p>1x</p>	
<p>D</p>  <p>Armrests Black, Left Adjustable Arm = 310220 Black, Right Adjustable Arm = 310221 White, Left Adjustable Arm = 310222 White, Right Adjustable Arm = 310223</p> <p>2x</p>	<p>I</p>  <p>Armrest Bolt - M6 x 40mm (6-pack) 387502</p> <p>1x</p>	
<p>E</p>  <p>Base Black Nylon = 322100 Polished Aluminum = 324642</p> <p>1x</p>	<p>J</p>  <p>Control Bolt - M6 x 20mm (4-pack) 387460</p> <p>1x</p>	

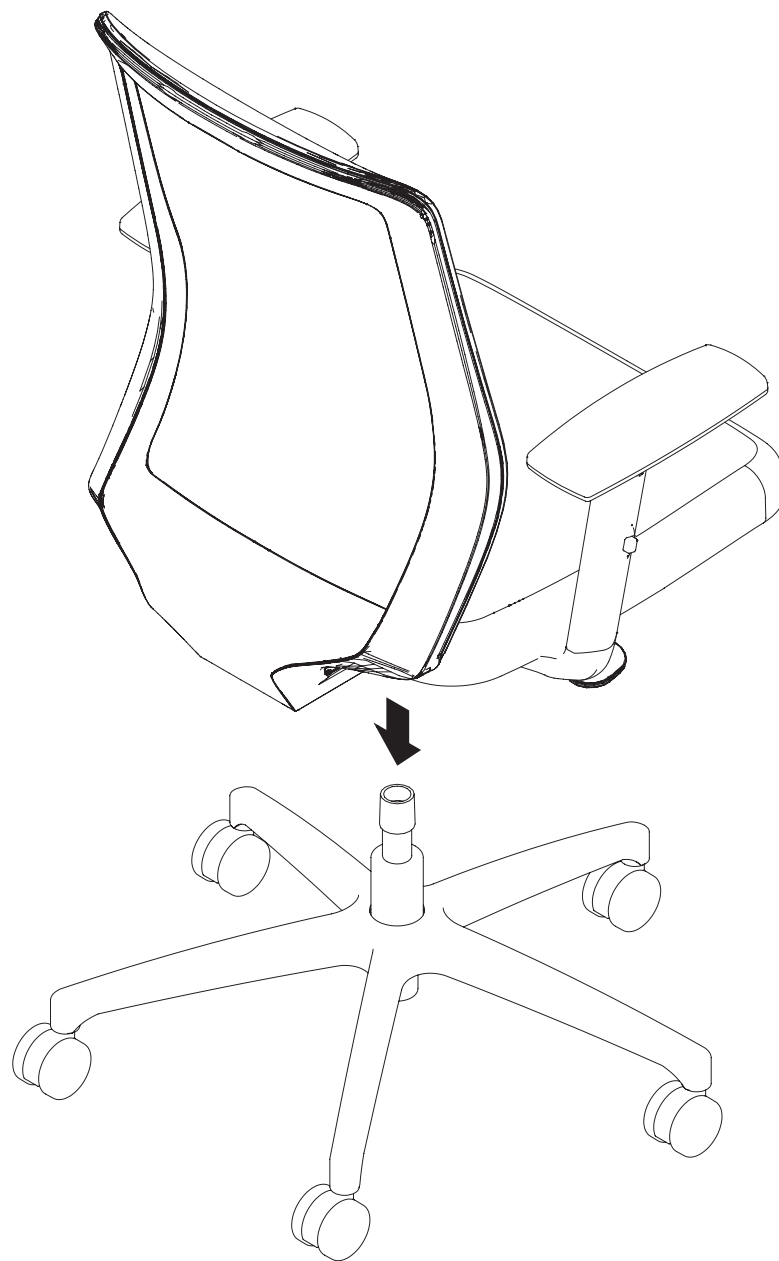
1











**Note:** Sit in the chair to ensure the connection between the gaslift and control is secure.





---

## SEAT ADJUSTMENTS

### 1 SEAT HEIGHT ADJUSTMENT

Adjust the seat height by lifting your weight out of the chair and pulling up on the paddle. Proper seat height is realized when the top of your legs are somewhat parallel to the floor.

### 2 BACK TILT LOCK ADJUSTMENT (4 POSITION)

Rotate lever upward to unlock back tilt, lean back or forward to your desired position, rotate lever down to lock.

### 3 SEAT DEPTH ADJUSTMENT

Pull up on paddle while shifting your weight forward to move your seat forward. Shift backward to move your seat back.

