

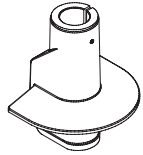
**32"**  
MAX

  
**2.2-20lbs**  
RATED

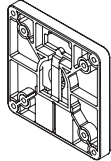
**Human Active Technology**  
800 524 2744  
customerservice@team-hat.com  
team-hat.com

# PARTS LIST

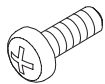
A Top Down Mount 1x  
8524



B Quick Connect VESA Plate 1x  
114808



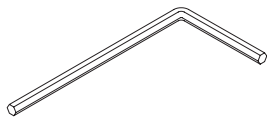
C M4 x 12mm Phillips Pan Head Screw 4x  
701153



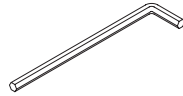
D 3/32" Allen Wrench 1x  
700146



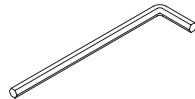
E 7/32" Allen Wrench 1x  
701127



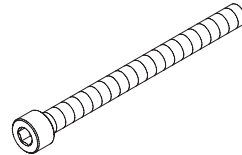
F 4mm Allen Wrench 1x  
709877



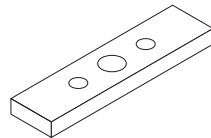
G 5mm Allen Wrench 1x  
710838



H\* M8 x 95mm SCHS 1x  
716061



I\* Spacer 1x  
701544

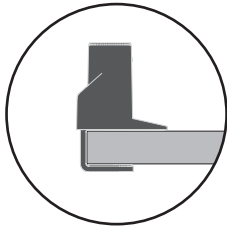


J\* Lock Nut 1x  
710015

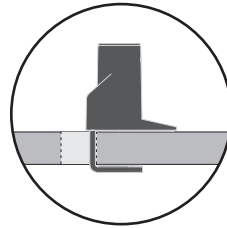


# DESK CLAMP CONFIGURATION

1

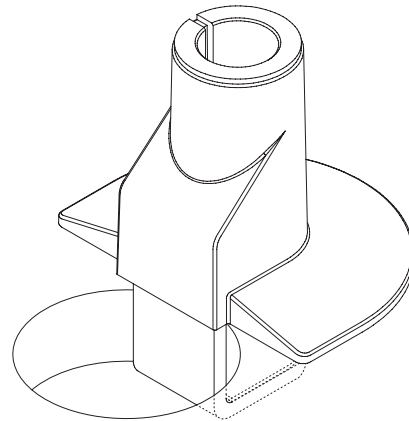
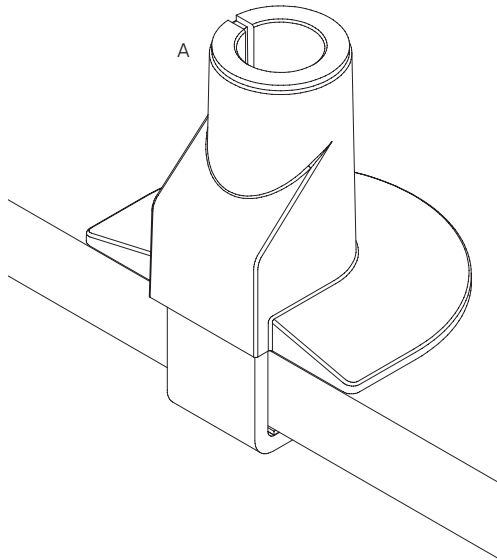


Desk thickness up to 1.5" (3.8 cm)



Desk thickness up to 1.5" (3.8 cm)

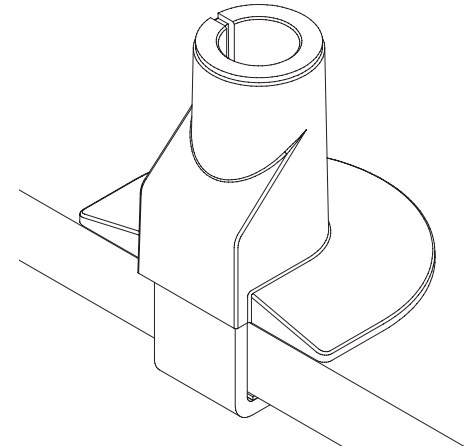
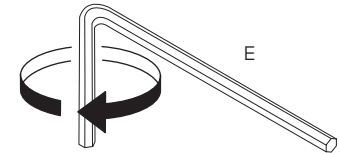
OR



2

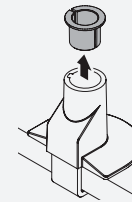


Tighten to 60 in-lbs minimum

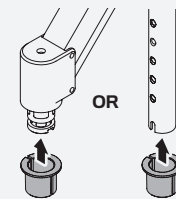


If the monitor arm or pole does not easily fit into the mount, remove the bushing from the mount and place it on the monitor arm or pole and press firmly back into the mount.

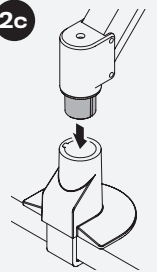
2a



2b

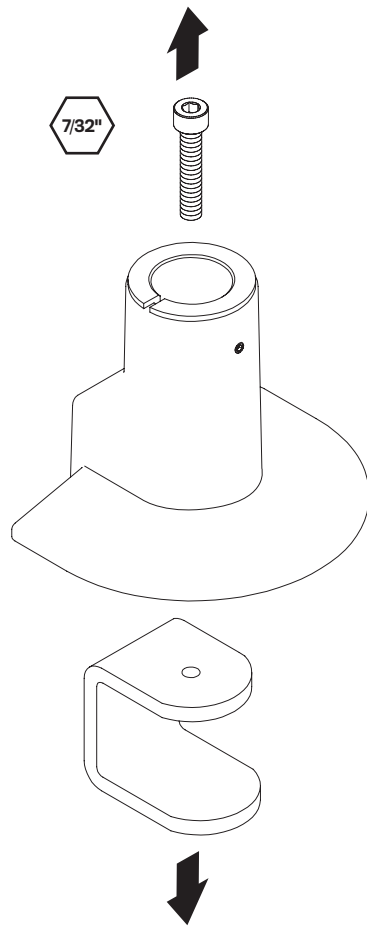


2c



OPTIONAL THRU-DESK CONFIGURATION

3



4

