



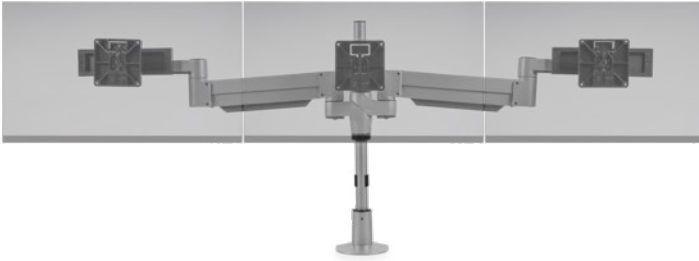
STAXX™
MONITOR ARMS



HAT
DESIGN WORKS™
HUMAN ACTIVE TECHNOLOGY

MODULAR FLEXIBILITY.

Designed for modularity, this groundbreaking display system can accommodate up to six monitors using a single mount. Staxx™ is a completely configurable pole-based solution allowing the addition of monitors by stacking more of the same parts on top of each other.

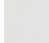




FEATURES

- **Scalable:** Easy to install and reconfigure.
- **Capable:** Mount large screens stacked or side by side.
- **Customizable:** Available in a wide range of sizes and configurations.
- **Adjustable:** Flexible extension arms provide easy positioning and personalized viewing angles.
- **Compatible:** VESA-monitor compatible – VESA adapter(s) included.
- **Sliders:** Allows the user to fine tune monitor positioning and achieve their ideal viewing angle when utilizing 2 or more monitors (available in four configurations).

SPECIFICATIONS

Finishes

	Flat White 248
	Silver 124
	Vista Black 104

Mount: Desk Edge, Grommet

Compatibility: Up to 1.5" desk thickness

Mount Conversion Kits

8524-TM-CK: Thru Mount Conversion Kit
8524-FM-CK: FlexMount Conversion Kit

See pages 3-5 for additional specs

WARRANTY

10 Years

STAXX STANDARD



STAXX SINGLE

Screen Size: Up to 50"

Weight Capacity: Up to 30 lbs.

Part Number: STX-01S-___

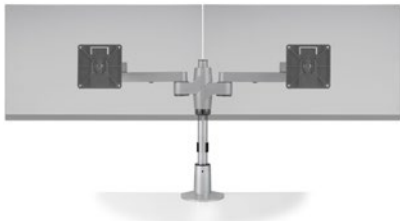


STAXX ONE OVER ONE

Screen Size: Up to 30"

Weight Capacity: Up to 20 lbs. per monitor

Part Number: STX-11S-___

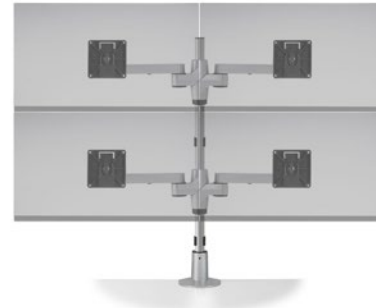


STAXX DUAL

Screen Size: Up to 24"

Weight Capacity: Up to 20 lbs. per monitor

Part Number: STX-02S-___

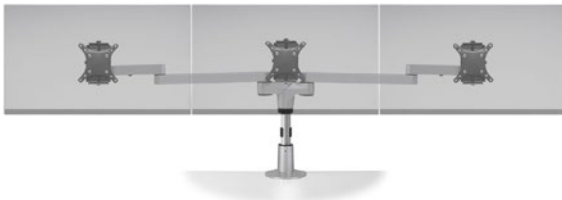


STAXX TWO OVER TWO

Screen Size: Up to 24"

Weight Capacity: Up to 15 lbs. per monitor

Part Number: STX-22S-___

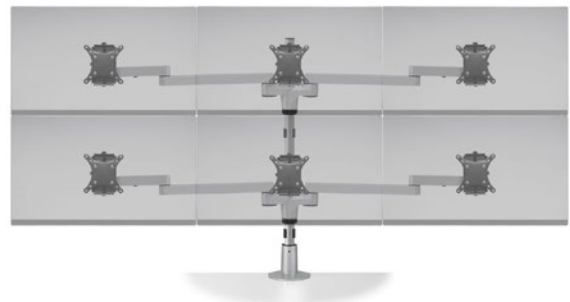


STAXX TRIPLE

Screen Size: Up to 24"

Weight Capacity: Up to 15 lbs. per monitor

Part Number: STX-03S-___



STAXX THREE OVER THREE

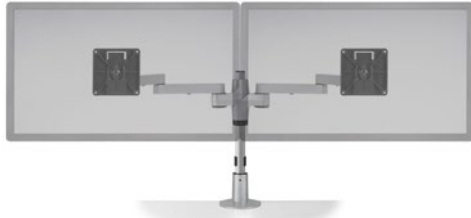
Screen Size: Up to 24"

Weight Capacity: Up to 10 lbs. per monitor

Part Number: STX-33S-___



STAXX WIDE

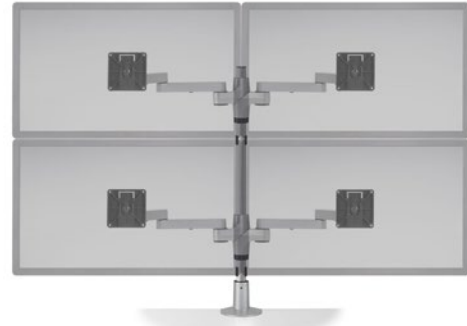


STAXX DUAL WIDE

Screen Size: 24" - 30"

Weight Capacity: Up to 20 lbs. per monitor

Part Number: STX-02W-__

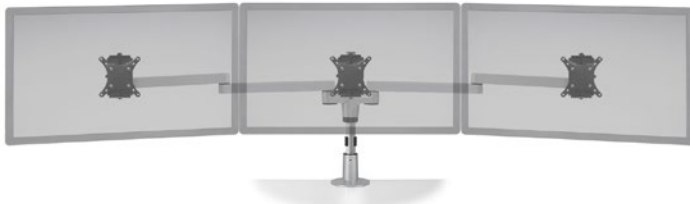


STAXX TWO OVER TWO WIDE

Screen Size: 24" - 30"

Weight Capacity: Up to 15 lbs. per monitor

Part Number: STX-22W-__

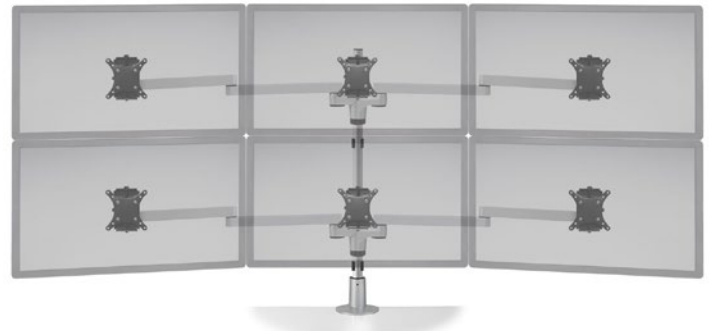


STAXX TRIPLE WIDE

Screen Size: 24" - 30"

Weight Capacity: Up to 15 lbs. per monitor

Part Number: STX-03W-__



STAXX THREE OVER THREE WIDE

Screen Size: 24" - 30"

Weight Capacity: Up to 10 lbs. per monitor

Part Number: STX-33W-__

STAXX ARTICULATING

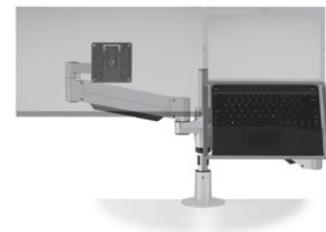


STAXX DUAL ARTICULATING

Screen Size: Up to 27"

Weight Capacity:

- 10-23 lbs. per monitor (STX-450-__)
- 2-13 lbs. per monitor (STX-500-__)
- 5-17 lbs. per monitor (STX-600-__)
- 7.5-25 lbs. per monitor (STX-800-__)
- 12-25 lbs. per monitor (STX-1000-__)



STAXX DUAL ARTICULATING w/LAPTOP HOLDER

Screen Size: Up to 27"

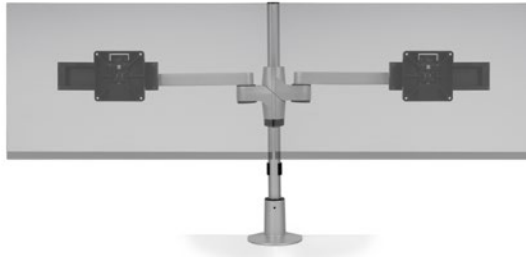
Weight Capacity:

- Monitor:
- 10-23 lbs. (STX-450-8510-__)
- 2-13 lbs. (STX-500-8510-__)
- 5-17 lbs. (STX-600-8510-__)
- 7.5-25 lbs. (STX-800-8510-__)
- 12-25 lbs. (STX-1000-8510-__)

- Laptop:
- 3 - 13.5 lbs.



STAXX WITH SLIDERS

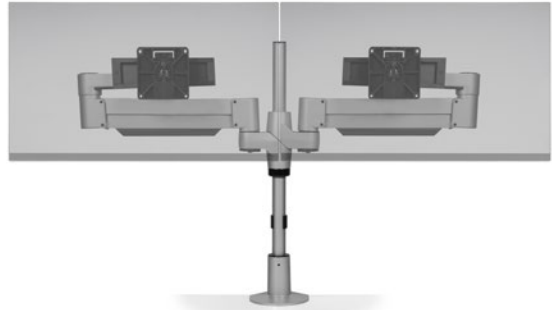


STAXX DUAL WITH SLIDERS

Screen Size: Up to 27" per monitor

Weight Capacity: Up to 20 lbs. per monitor

Part Number: STX-02-SLD-__



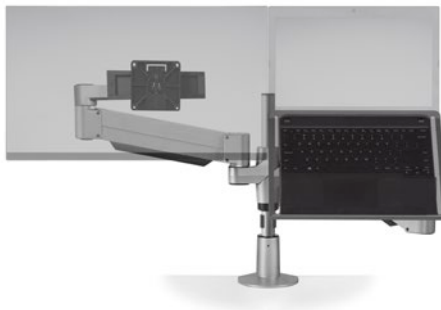
STAXX DUAL ARTICULATING WITH SLIDERS

Screen Size: Up to 27" per monitor

Weight Capacity:

2-13 lbs. per monitor (STX-2-500-SLD-__)

Up to 20 lbs. per monitor (STX-2-800-SLD-__)



STAXX DUAL ARTICULATING w/LAPTOP HOLDER AND SLIDER

Screen Size: Up to 27" per monitor

Weight Capacity:

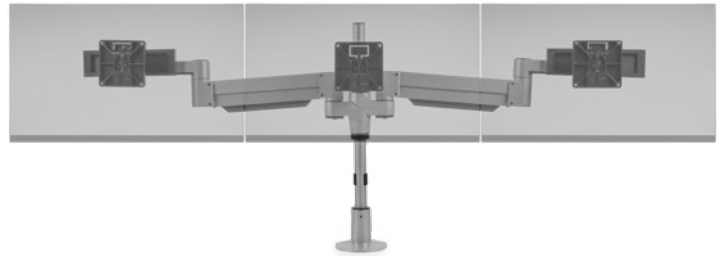
Monitor:

2-13 lbs. (STX-500-8510-SLD-__)

Up to 20 lbs. (STX-800-8510-SLD-__)

Laptop:

3 - 13.5 lbs.



STAXX TRIPLE ARTICULATING WITH SLIDERS

Screen Size: Up to 27" per monitor

Weight Capacity:

2-13 lbs. per monitor (STX-3S-500-SLD-__)

Up to 20 lbs. per monitor (STX-3S-800-SLD-__)