

Spare part's book **2020**

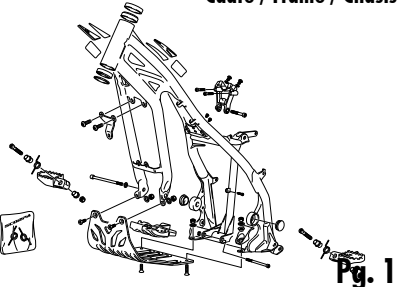
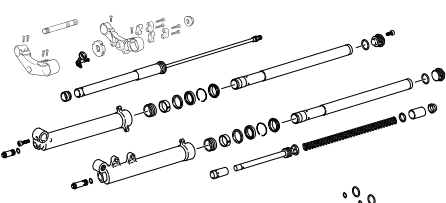
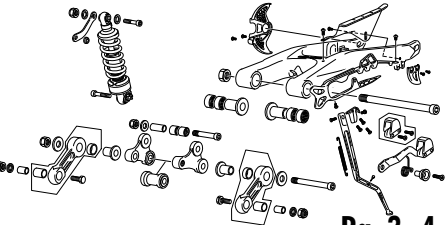
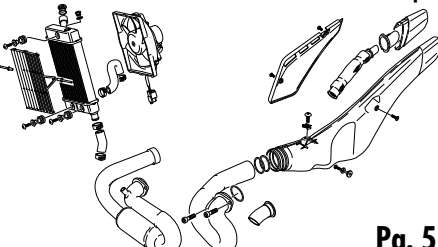
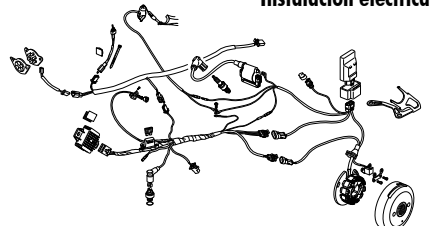
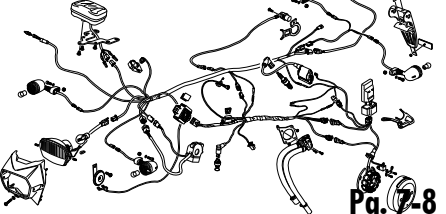
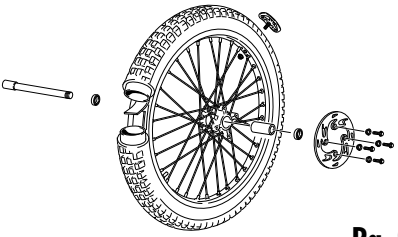
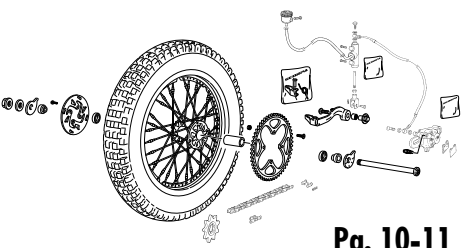
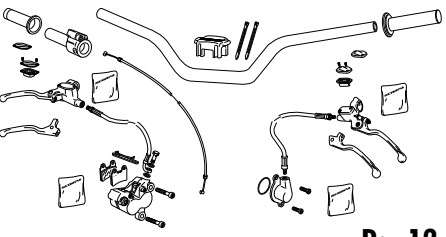
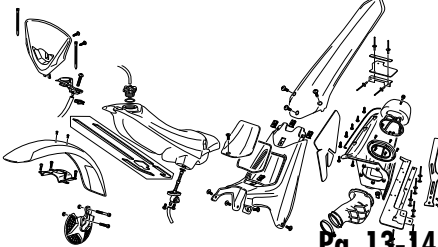

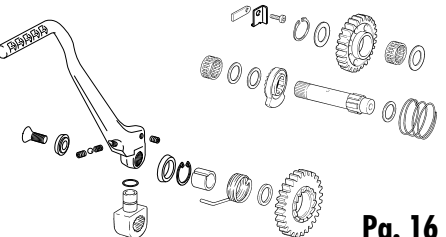
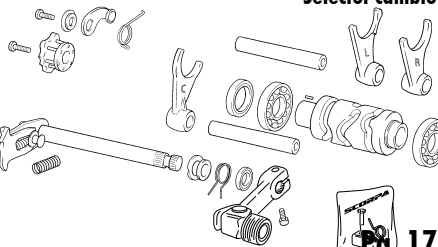
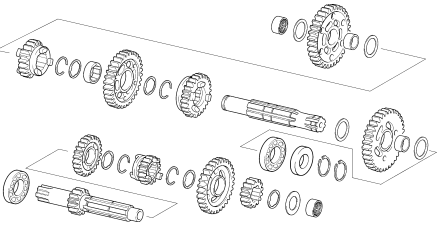
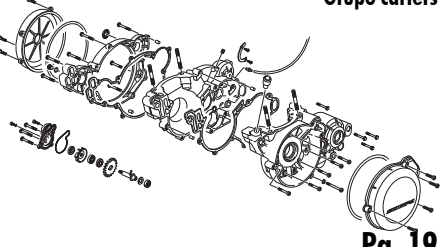
2T Trial

1.25 2.5 3.0



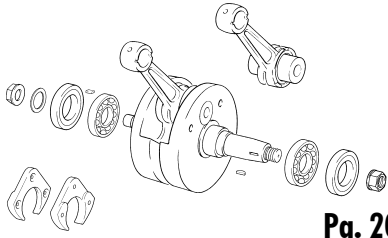
SCORPA

Index / Index / Índice

1 Cadre / Frame / Chasis  Pg. 1	2 Fourche / Fork / Horquilla  Pg. 2	3 Amortisseur - Bras oscillant / Rear Shock - Swingarm / Amortiguador - Basculante  Pg. 3-4
4 Radiateur-Échappement / Radiator-Exhaust / Radiador-Escape  Pg. 5	5 Faisceau électrique / Electrical system / Instalación eléctrica  Pg. 6	6 Faisceau électrique homologué / Street legal electrical system / Instalación eléctrica homologada  Pg. 7-8
7 Roue avant / Front wheel / Rueda delantera  Pg. 9	8 Roue arrière / Rear wheel / Rueda trasera  Pg. 10-11	9 Guidon / Handlebar / Manillar  Pg. 12
10 Plastiques / Plastics / Plásticos  Pg. 13-14	11 Adhésif / Stiker / Adhesivos  Pg. 15	12 Lanceur / Kickstarter assembly / Pedal arranque  Pg. 16
13 Selecteur / Gear selector group / Selector cambio  Pg. 17	14 Boite à vitesses / Gear set / Cambio  Pg. 18	15 Groupe carters / Crankcase assembly / Grupo carters  Pg. 19

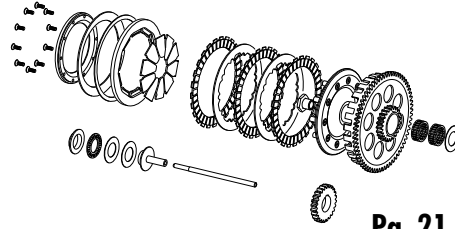
Index / Index / Índice

16 Villebrequin assemble / Crankshaft assembly / Cigüeñal biela



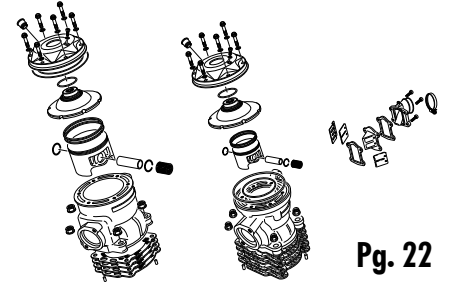
Pg. 20

17 Embrayage / Clutch / Embrague



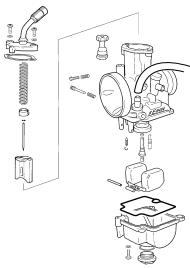
Pg. 21

18 Cylindre / Cylinder / Cilindro



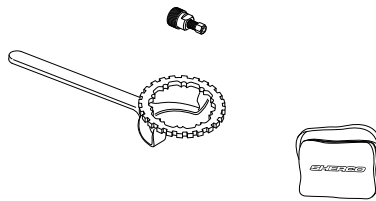
Pg. 22

19 Carburateur / Carburetor / Carburador KEIHIN



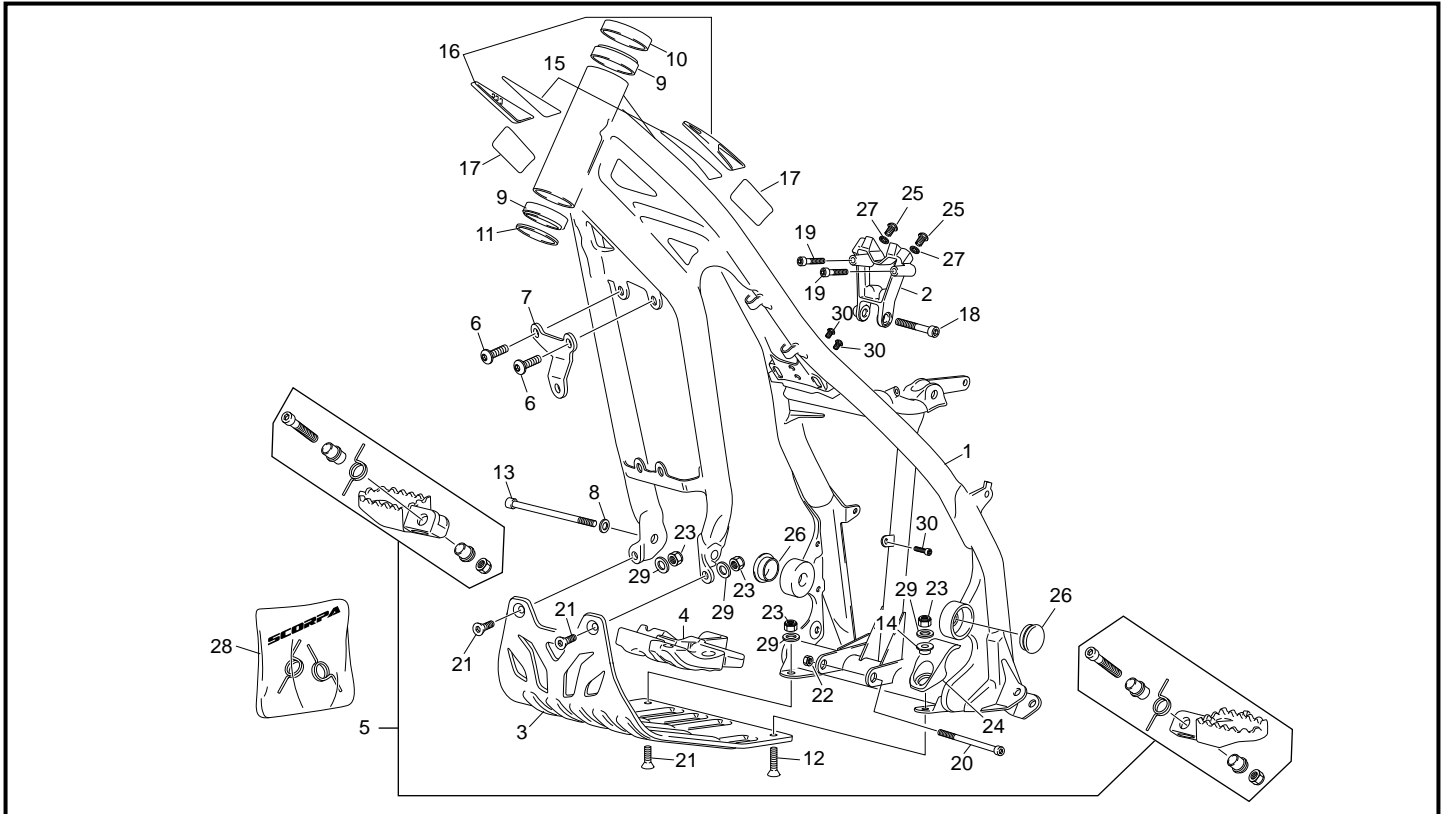
Pg. 23-24

20 Outillage / Tools / Utilajes



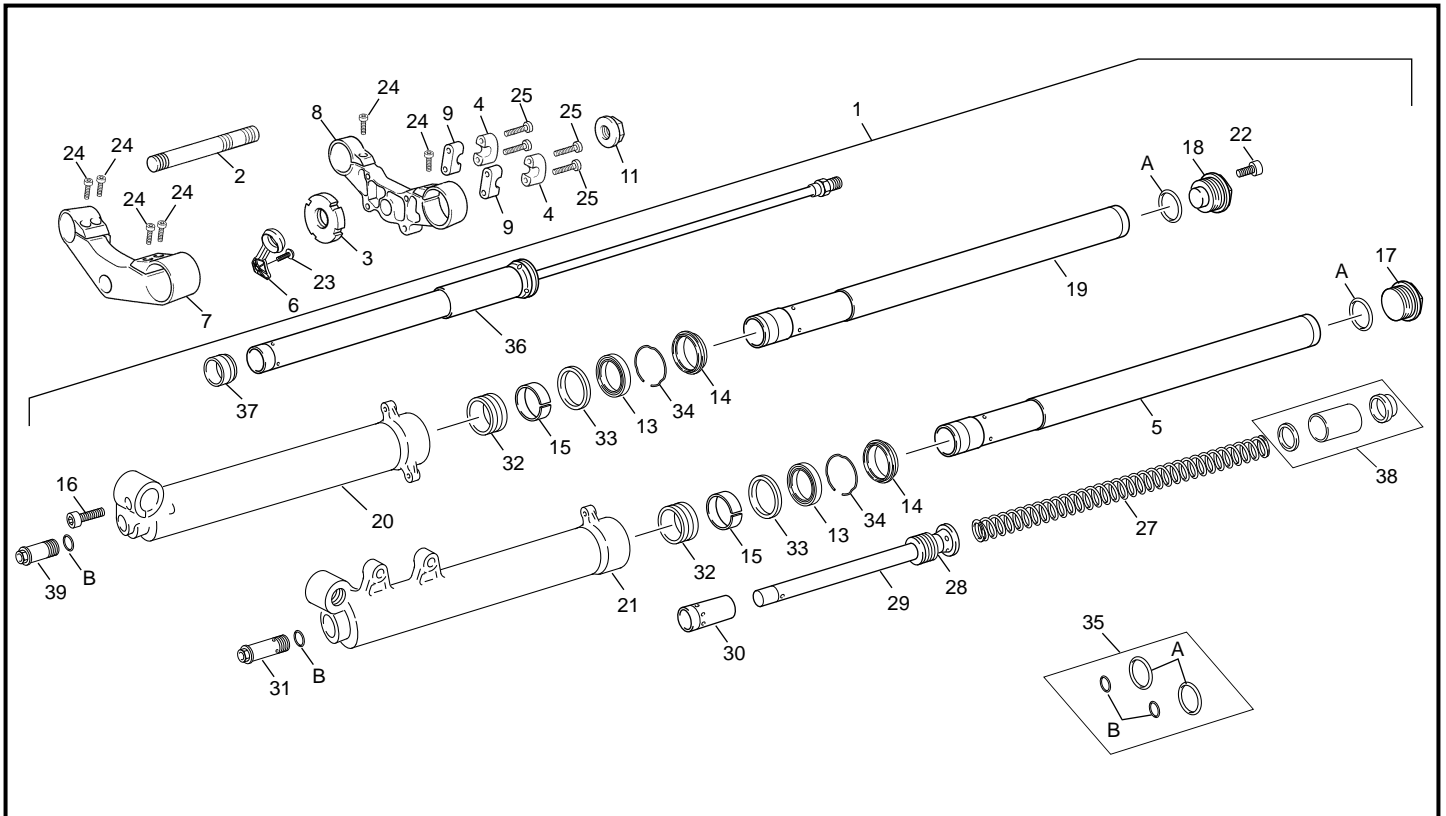
Pg. 25

Cadre / Frame / Chasis



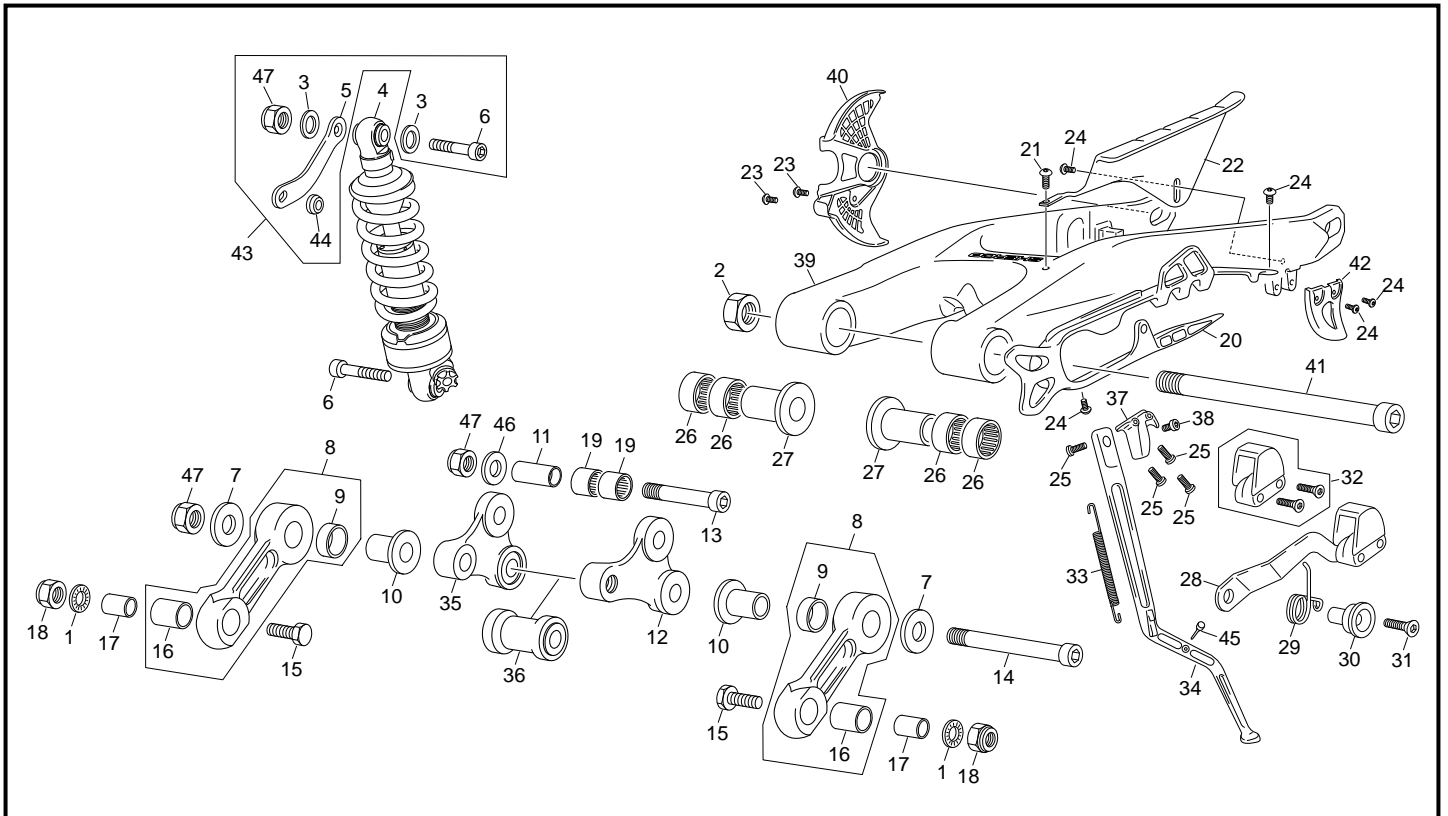
POS.	1.25	2.5	3.0	FRANÇAIS	ENGLISH	ESPAÑOL
1	7795	7795	7795	CADRE TRIAL SCORPA GRIS GENERE SS	SS FRAME TRIAL SCORPA GRIS GENERE	CHASIS TRIAL SCORPA GRIS GENERE SS
2	4549	4549	4549	PATTE FIXATION CYLINDRE 2.5/2.9 NOIRE	CLINDER SUPPORT 2.5/2.9 BLACK	TIRANTE CILINDRO 2.5/2.9 NEGRO
3	6428	6428	6428	SABOT MOTEUR SCORPA F	ENGINE GUARD SCORPA F	PROTECTOR CARTER SCORPA F
4	3582	3582	3582	CAOUTCHOUC MOTEUR 2012	BASH PLATE RUBBER 2012	CAUCHO PLACA MOTOR 2012
5	7371	7371	7371	GROUPE REPOSE PIEDS S3 TR NOIR	SET FOOTPEG S3 TR BLACK	JUEGO ESTRIBERAS S3 TR NEGRO
6	C409	C409	C409	VIS CHC M6 X 10 DIN 912	SCREW CHC M6 X 10	TORNILLO M6 X 10 CHC
7	2920	2920	2920	PATTE FIXATION SUP RADIATEUR	RADIATOR HOLDER SUP	SOPORTE RADIADOR SR
8	M315	M315	M315	RONDELLE X 10 1405 010 ZN NI TR	WASHER X 10 ZN NI TR	ARANDELA X 10 DIN 125 A ZN NI TR
9	C009	C009	C009	ROULEMENT COLONNE DIRECTION	STEERING BEARING	RODAMIENTO DIRECCION
10	C010	C010	C010	BAGUE DE PROTECTION HAUTE PLASTIC	PLASTIC DUST COVER	GUARDA POLVO SUPERIOR PLASTIC
11	C011	C011	C011	ECROU CLIP M6 0500500400	NUT CLIP M6	TUERCA CLIP M6
12	6658	6658	6658	VIS FHC 8 X 25 ZN NI TR	SCREW FHC 8 X 25 ZN NI TR	TORNILLO AVELLANADO M 8 X 25 ZN N
13	M296	M296	M296	AXE MOTEUR AV 10X116 ZI.NII.TR.	FRONT PIN ENGINE 10X116 ZI.NII.TR.	TORNILLO MOTOR 10X116 ZI.NII.TR.
14	6654	6654	6654	ENTRETOISE PROTECTEUR CADRE	FRAME PROTECTOR BRUSH	CASQUILLO PROTECTOR CHASIS
15	6657	6657	6657	ADHESIF BUTEE PROTEC CADRE JEU DOU	STICKER FRAME PROTECTOR BOLCK KIT	ADHESIVO JUEGO TOPE DIRECCION DOBL
16	6656	6656	6656	BUTEE PROTECTION CADRE JEU	FRAME PROTECTOR BOLCK KIT	ARANDELA AET 19
17	5638	5638	5638	ADHESIF CADRE PROTECTION NUMERO NOIR TRIAL	STICKER FRAME NUMBER PROT. BLACK TRIAL	ADHESIVO BASTIDOR PROT. NUM NEGRO TRIAL
18	M263	M263	M263	VIS CHC 8 X 40 0084 ZN NI TR - TL 180°	SCREW CHC 8 X 40 ZN NI TR - TL 180°	TORNILLO 8 X 40 ALLEN ZN NI TR - TL 180°
19	M251	M251	M251	VIS CHC 6 X 16	SCREW CHC 6 X 16	TORNILLO 6 X 16
20	1323	1323	1323	VIS CHC M10 X 85 DIN 912 12.9 ZN N	SCREW CHC M10 X 85 DIN 912 12.9 ZN	TORNILLO CHC M10 X 85 DIN 912 12.9
21	M301	M301	M301	VIS FHC 8 X 20 1089 ZN NI TR	SCREW FHC 8 X 20 ZN NI TR	TORNILLO AVELLANADO M 8 X 20 ZN N
22	M304	M304	M304	ECROU NYLSTOP M10 0368.10	NUT NYLSTOP M10	TUERCA NYLSTOP M10
23	M305	M305	M305	ECROU NYLSTOP M8 0368.8	NUT NYLSTOP M8	TUERCA NYLSTOP M8
24	6655	6655	6655	PATIN PROTECTEUR CADRE	FRAME PROTECTOR SLIDER	PATIN PROTECTOR CHASIS
25	M281	M281	M281	VIS BHC 8 X 12 1093 ZN NI TR - TL	SCREW BHC 8 X 12 ZN NI TR - TL 18	TORNILLO 8 X 12 UL5 ZN NI TR - TL
26	C165	C165	C165	BOUCHON AXE BRAS OSCILLANT DIAM 35	COVER SWING ARM AXLE DIAM 35	TAPON EJE BASCULANTE DIAM 35
27	1432	1432	1432	RONDELLE AET 8	WASHER X AET 8	ARANDELA AET 8
28	4872	4872	4872	RESSORTS REPOSE PIEDS TRIAL JEU	FOOTPEG SPRINGS KIT	MUELLES ESTRIBERAS JUEGO
29	M316	M316	M316	RONDELLE 8 X 18 X 1.5 ZN NI TR	WASHER 8 X 18 X 1.5 NI TR	ARANDELA 8 X 18 X 1.5 DIN 125 A Z
30	M282	M282	M282	VIS BHC 6 X 10 1093 ZN NI TR	SCREW BHC 6 X 10 ZN NI TR	TORNILLO 6 X 10 BHC ZN NI TR

Fourche / Fork / Horquilla



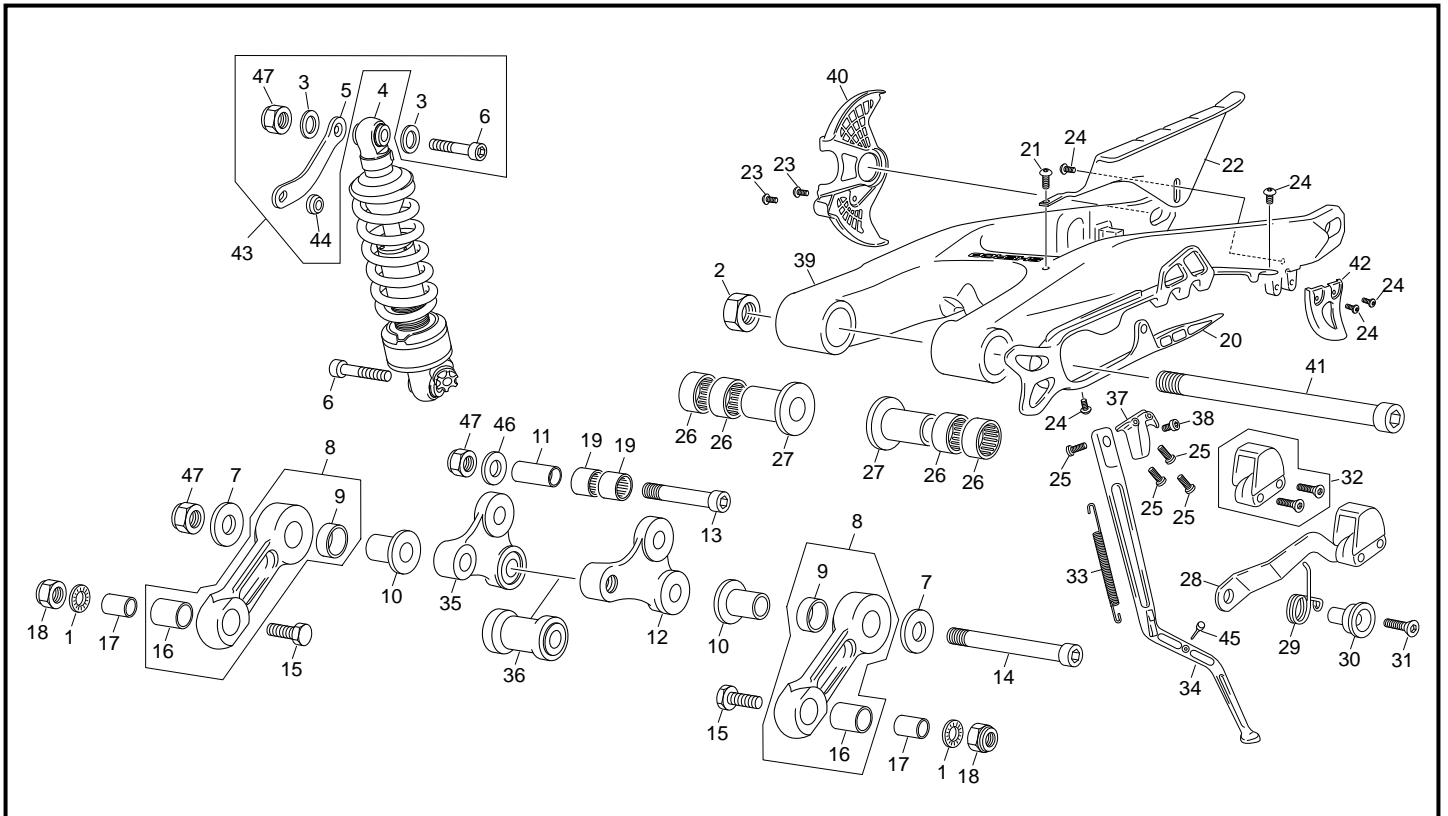
POS.	1.25	2.5	3.0	FRANÇAIS	ENGLISH	ESPAÑOL
1	7339	7339	7339	GROUPE JAMBES TS CPL ALU OLIVE TR FACTORY	GROUP I SWEEP TS CPL ALU OLIVE TR FACTORY	GRUPO BARRAS TS CPL ALU OLIVA TR FACTORY
2	1166	1166	1166	AXE ALUMINIUM COLONE	AXIS ALUMINUM DIRECTION PIPE	EJE ALUMINIO PIPA
3	5386	5386	5386	RONDELLE ECROU ALU AXE DIRECTION LEGER	TOP TRIPLE CLAMP ALUMINIUM NUT LIGHT	TUERCA FIJACION ALU LIGERO
4	7386	7386	7386	BRIDE GUIDON SUPERIEURE NOIR BRITS 39 F 18	BRIDE SUP HANDLE BAR BLACK BRI TS 39 F 18	BRIDA SUPERIOR MANILLAR NEGRA BRI TS 39 F 18
5	7193	7193	7193	GROUPE TUBE FOURCHE GAUCHE ALU TS OLIVE	GROUP STANGHON TUBE LEFT ALU TS OLIVE	GRUPO TUBO HORQUILLA IZQ. ALU TS OLIVA
6	2359	2359	2359	GUIDE DURITE FREIN AV 2010	GUIDE FRONT BRAKE HOSE	GUIA LATIGUILLO FRENO DEL
7	7113	7113	7113	T FOURCHE INF TS 39	BOTTOM PLAT FORK TS 39	PLATINA INF HORQUILLA TS 39
8	7112	7112	7112	T FOURCHE SUP TS 39	UPPER PLAT FORK TS 39	PLATINA SUP HORQUILLA TS 39
9	7387	7387	7387	BRIDE GUIDON INFERIEURE NOIR BRI TS 39 F 18	BRIDE INF HANDLEBAR BLACK BRI TS 39 F 18	BRIDA INFERIOR MANILLAR NEGRO BRI TS 39 F 18
11	R108	R108	R108	ECROU ALU AXE FOURCHE 2000 949125051	ALUMINIUM NUT FOR FRONT FORK AXLE	TUERCA EJE 2000
13	3662	3662	3662	JOINT SPIE DE FOURCHE TS	FORK OIL SEAL TS	RETEN SUSPENSION DEL TS
14	3661	3661	3661	PARE POUSSIERE FOURCHE TS	O-RING FORK TS	GUARDA POLVO HORQUILLA TS
15	3663	3663	3663	DU TUBE FOURCHE TS	DU FRICTION TUB TS	DU TUBO TS
16	3673	3673	3673	VIS THC M8X18 DIN 7984	SCREW M8X18 DIN 7984	TORNILLO M8X18 DIN 7984
17	5675	5675	5675	BOUCHON PRECHARGE FOURCHE TECH ALU	PRELOAD FORK PLUG TECH ALU	TAPON PRECARGA HORQUILLA TECH ALU
18	5686	5686	5686	BOUCHON EXTENSION FOURCHE TECH ALU	EXTENSION FORK PLUG TECH ALU	TAPON EXTENSION HORQUILLA TECH ALU
19	7192	7192	7192	GROUPE TUBE FOURCHE DROITE ALU TS OLIVE	GROUP STANGHON TUBE RIGHT ALU TS OLIVE	GRUPO TUBO HORQUILLA DER. ALU TS OLIVA
20	3667	3667	3667	JAMBE DROITE TS	RIGHT SIDE FORK TS	BOTELLA DER TS
21	3666	3666	3666	JAMBE GAUCHE TS	LEFT SIDE FORK TS	BOTELLA IZQ TS
22	3674	3674	3674	VIS BLOCAGE POMPANTE HYDRAULIQUE	SCREW STOPER HYDRAULIC POMP	TORNILLO BLOCAGE BOMBA HIDRAULICA
23	M258	M258	M258	VIS BHC 5 X 16 1093 ZN NI TR	SCREW BHC 5 X 16 ZN NI TR	TORNILLO 5 X 16 ULS ZN NI TR
24	6575	6575	6575	VIS CHC 8 X 20 DIN 912 ZN TR NOIR	SCREW CHC 8 X 20 DIN 912 ZN TR BLACK	TORNILLO 8 X 20 ALLEN DIN 912 ZN TR NEGRO
25	1237	1237	1237	VIS CHC 8 X 55 0084 ZN NI TR	SCREW CHC 8 X 55 ZN NI TR	TORNILLO 8 X 55 ALLEN ZN NI TR
27	4411	4411	4411	RESSORT DE FOURCHE TECH	FORK SPRING TECH	MUELLE HORQUILLA TECH
28	4412	4412	4412	SUPPORT ANNEAU BUTEE RESSORT	SUPPORT RING FOR SPRING LIMIT	SOPORTE ANILLO TOPE MUELLE
29	4413	4413	4413	GROUPE POMPANTE TS	GROUP MECHANICAL POUMPING TS	GRUPO POMPANTE TS
30	4417	4417	4417	CONE BUTEE GAUCHE	CONE LIMIT LEFT	CONO TOPE IZQUIERDO
31	4414	4414	4414	GROUPE REGULATION AIGUILLE	NEEDLE REGULATION GROUP	GRUPO REGULACION AGUJA
32	4422	4422	4422	DU 38X40X20 TS	BUSH DU 38X40X20 TS	DU 38X40X20 TS
33	4421	4421	4421	RONDELLE TENUE ANNEAU TS	RING STOP BUSHING OIL SEAL TS	ARANDELA RETENCION ANILLO TS
34	4420	4420	4420	ANNEAU JOINT SPIE TS	RING STOPPER OIL SEAL TS	ANILLO RETENCION RETEN TS
35	4416	4416	4416	JEU TORIQUES	GROUP RING SEALS	JUEGO JUNTAS
36	4418	4418	4418	GROUPE CARTOUCHE	GROUP CARTRIDGE	GRUPO CARTUCHO
37	4419	4419	4419	CONE BUTEE DROITE	CONE LIMIT RIGH	CONO TOPE DERECHO
38	4415	4415	4415	GROUPE ENTRETOISES TECH	SEPARATED TECH GROUP	GRUPO SEPARADORES TECH
39	3674	3674	3674	VIS BLOCAGE POMPANTE HYDRAULIQUE	SCREW STOPER HYDRAULIC POMP	TORNILLO BLOCAGE BOMBA HIDRAULICA

Amortisseur - Bras oscillant / Rear Shock - Swingarm / Amortiguador - Basculante



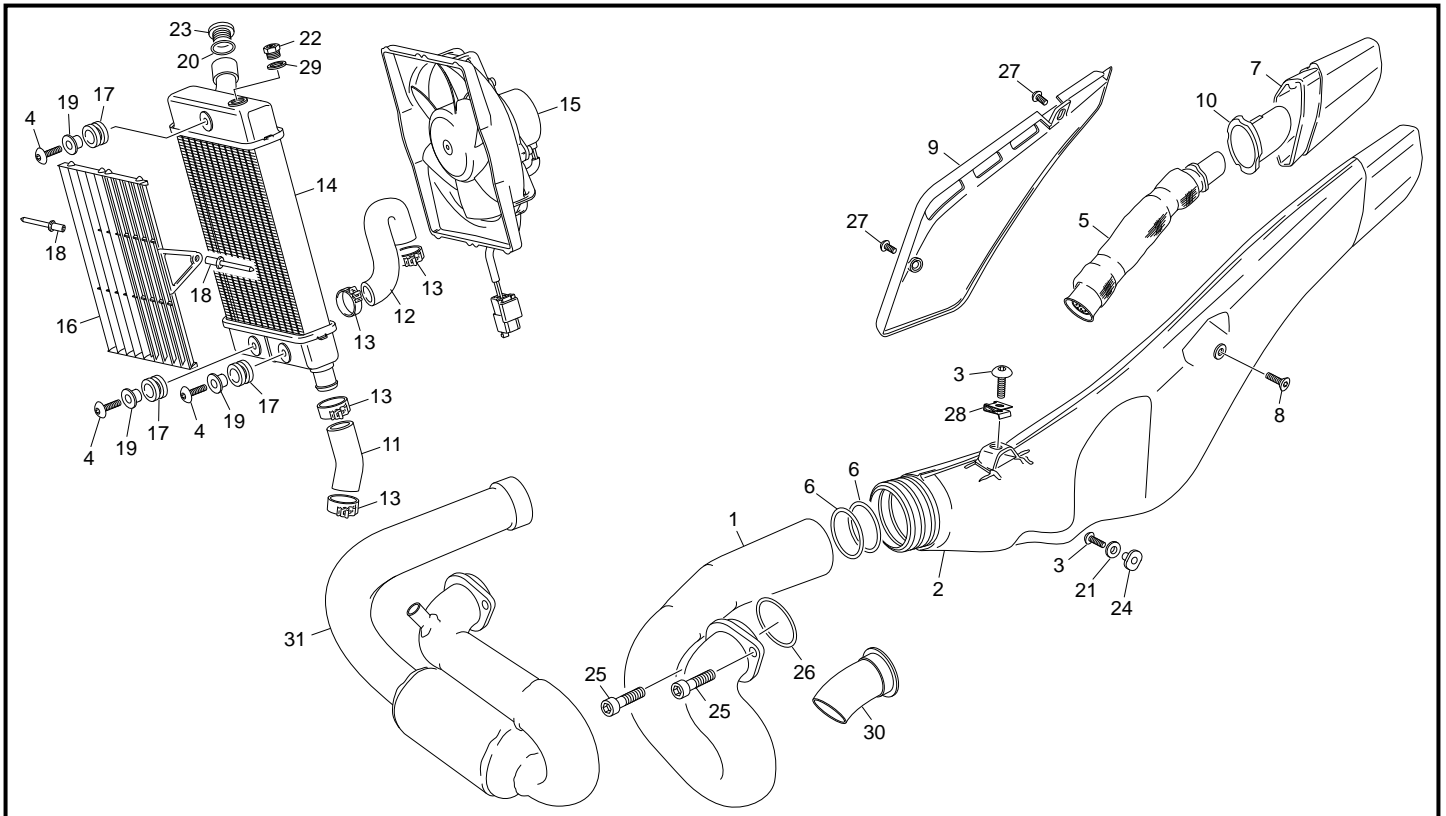
POS.	1.25	2.5	3.0	FRANÇAIS	ENGLISH	ESPAÑOL
1	1432	1432	1432	RONDELLE AET 8	WASHER X AET 8	ARANDELA AET 8
2	M295	M295	M295	ECROU 14 X 125 H 7.5 TR11	HEX NUT M14 X 125 H 7.5 TR11	TUERCA M14 X 125 H 7.5 TR11
3	M315	M315	M315	RONDELLE X 10 1405 010 ZN NI TR	WASHER X 10 ZN NI TR	ARANDELA X 10 DIN 125 A ZN NI TR
4	7183	8083	8083	AMORTISSEUR TRIAL REIGER 2V FACTORY	REAR SHORK TRIAL REIGER 2V FACTORY	AMOTIGUADOR TRIAL REIGER 2V FACTORY
5	7789	7789	7789	SUPPORT SILENCIEUX SUPERIEUR TR	UP SUPPORT SILENCER TR	SOPORTE SILENCIADOR SUPERIOR TR
6	7791	7791	7791	VIS CHC M10 X 62 DIN 912 12.9 ZN NI TR MODIF	SCREW CHC M10 X 62 DIN 912 12.9 ZN NI TR MODIF	TORNILLO CHC M10 X 62 DIN 912 12.9 ZN NI TR MODIFICADO
6	C173	C173	C173	VIS CHC M10 X 62 DIN 912 12.9 ZN NI TR MODIF	SCREW CHC M10 X 62 DIN 912 12.9 ZN NI TR MODIF	TORNILLO CHC M10 X 62 DIN 912 12.9 ZN NI TR MODIFICADO
7	6621	6621	6621	RONDELLE 10 X 30 X 2.5 BELEVILLE ZN NI TR	WASHER 10 X 30 X 2.5 COUNTERSUNK ZN NI TR	ARANDELLA 10 X 30 X 2.5 DIN 9021 EMBUTIDA ZN NI TR
8	3447	3447	3447	BIELETTE TIRANT SIMPLE TRIAL 2012	REAR SUSPENSION LINK TRIAL 2012	BIELETA SUSPENSION TRIAL 2012
9	2945	2945	2945	DOUILLE FRICTION 16X18X15	BEARING FRICTION 16X18X15	COJINETE FRICCIÓN 16X18X15
10	C171	C171	C171	ENTRETOISE TIRANT EPAULEE	LINK SPACER	CASQUILLO BIELETA CON ARANDELA
11	C152	C152	C152	ENTRETOISE SUSPENSION	SPACER SUSPENSION	CASQUILLO SUSPENSION
12	3445	3445	3445	BIELETTE DELTA TRIAL 2010	REAR SUSPENSION DELTA LINK TRIAL 2010	TRAPECIO SUSPENSION TRIAL 2010
13	C174	C174	C174	AXE 10 X 72 12.9 ZN NI TR - TL 180°	PIN 10 X 72 12.9 ZN NI TR - TL 180°	EJE 10 X 72 12.9 ZN NI TR - TL 180°
14	C172	C172	C172	AXE 10 X 120 12.9 ZN NI TR - TL 180°	PIN 10 X 120 12.9 ZN NI TR - TL 180°	EJE 10 X 120 12.9 ZN NI TR - TL 180°
15	C175	C175	C175	VIS HEXA TETE BASSE 8.8 ZN NI TR	SPECIAL HEAD SCREW HEX 8.8 ZN NI TR	TORNILLO HEX C/REBAJADA 8.8 ZN NI TR
16	2946	2946	2946	DOUILLE FRICTION 14X16X15	BEARING FRICTION 14X16X15	COJINETE FRICCIÓN 14X16X15
17	C170	C170	C170	ENTRETOISE TIRANT	LINK SPACER	CASQUILLO BIELETA
18	M305	M305	M305	ECROU NYLSTOP M8 0368.8	NUT NYLSTOP M8	TUERCA NYLSTOP M8
19	C167	C167	C167	DOUILLE AIGUILLE BRAS/SUSP HK 16X20X2RS	BEARING HK 16202RS	CASQUILLO AGUJAS BASCU/SUSP HK16202RS
20	1207	1207	1207	PATIN DE CHAINE 07 TRIAL	CHAIN GUIDE PLATE 07 TRIAL	PATIN CADENA 07 TRIAL
21	M258	M258	M258	VIS BHC 5 X 16 1093 ZN NI TR	SCREW BHC 5 X 16 ZN NI TR	TORNILLO 5 X 16 ULS ZN NI TR
22	1208	1208	1208	CARTER DE CHAINE 07	CHAIN PROTECTOR 07	CUBRE CADENAS 07
23	M282	M282	M282	VIS BHC 6 X 10 1093 ZN NI TR	SCREW BHC 6 X 10 ZN NI TR	TORNILLO 6 X 10 BHC ZN NI TR
24	M278	M278	M278	VIS BHC 5 X 10 1093 ZN NI TR TUFLOK180	SCREW BHC 5X10 ZN NI TR TUFLOK 180	TORNILLO 5 X 10 ULS ZN NI TR TUFLOK 180
25	M281	M281	M281	VIS BHC 8 X 12 1093 ZN NI TR - TL 180°	SCREW BHC 8 X 12 ZN NI TR - TL 180°	TORNILLO 8 X 12 ULS ZN NI TR - TL 180°
26	C151	C151	C151	DOUILLE AIGUILLE BRAS HK 20X20X2 RS	BEARING HK 20X20X2RS	CASQUILLO AGUJAS BASCULANTE HK20X20X2RS
27	C153	C153	C153	ENTRETOISE ARTICULATION BRAS	SPACER SWING ARM	CASQUILLO EJE BASCULANTE
28	C164	C164	C164	TENDEUR DE CHAINE	CHAIN TENSIONER	TENSOR CADENA
29	R205	R205	R205	RESSORT TENDEUR DE CHAINE	SPRING CHAIN TENSIONER	MUELLE TENSOR CADENA
30	R206	R206	R206	ENTRETOISE TENDEUR DE CHAINE	SPECER CHAIN ADJUST	CASQUILLO TENSOR CADENA
31	M300	M300	M300	VIS FHC 8 X 35 1089 ZN NI TR - TL 180°	SCREW FHC 8 X 35 ZN NI TR - TL 180°	TORNILLO AVELLANADO M8 X 35 ZN NI TR - TL 180°
32	R047	R047	R047	CAOUTCHOUC TENDEUR SEUL	CHAIN STRETCHER PLATE	GOMA TENSOR CADENA
33	C161	C161	C161	RESSORT DE BEQUILLE	SIDE STAND SPRING	MUELLE CABALLETE
34	4559	4559	4559	BEQUILLE SEULE ALU NOIR	LATERAL STAND BLACK	CABALLETE ALUMINIO NEGRO

Amortisseur - Bras oscillant / Rear Shock - Swingarm / Amortiguador - Basculante



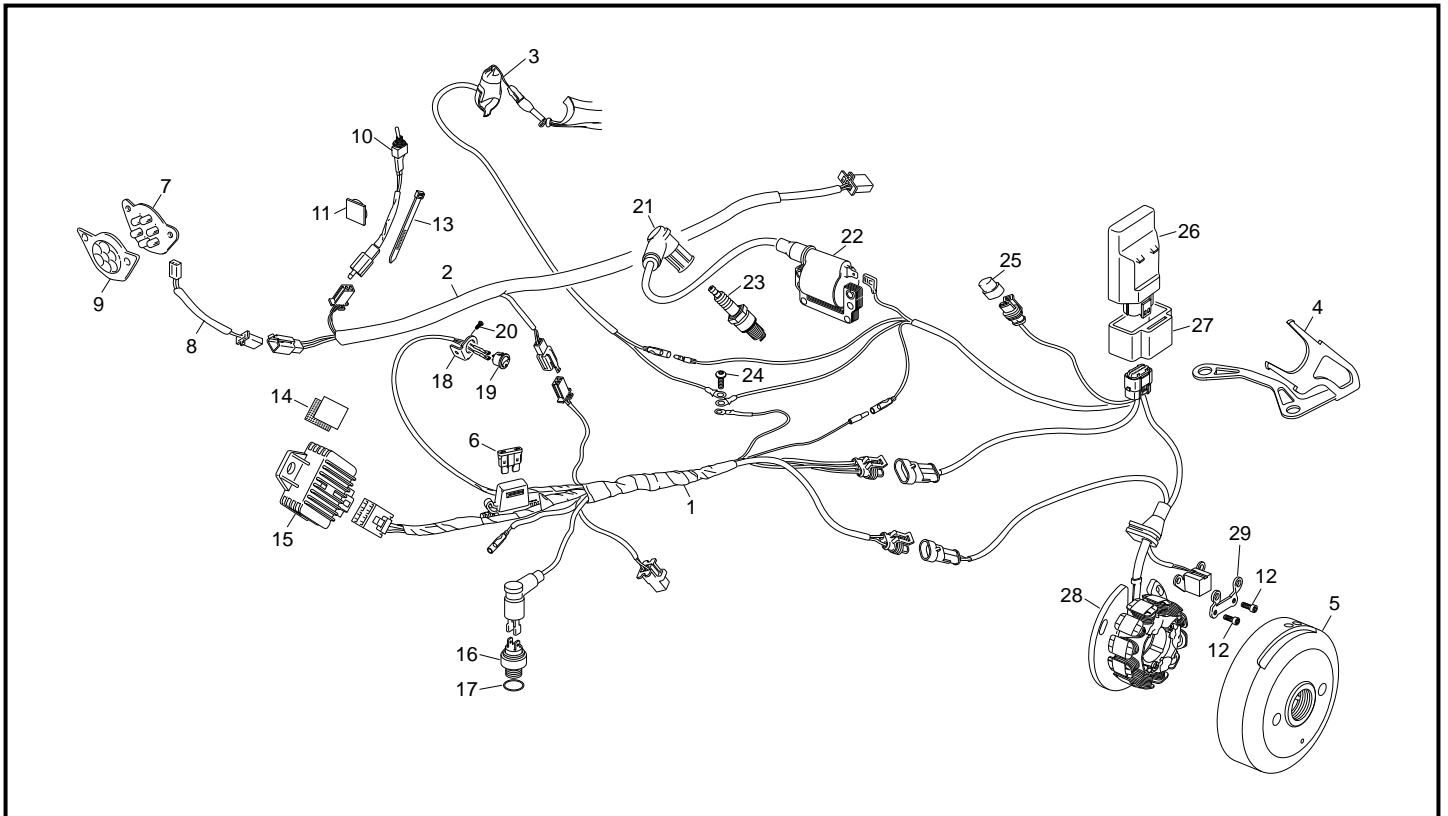
POS.	1.25	2.5	3.0	FRANÇAIS	ENGLISH	ESPAÑOL
35	3444	3444	3444	BIELETTE DELTA SEMI D TRIAL 2012	REAR SUSPENSION HALF R DELTA LINK TRIAL 2012	TRAPECIO SUSPENSION SEMI D TRIAL 2012
36	3446	3446	3446	ENTRETOISE BIELETTE DELTA TRIAL 2012	DELTA LINK SPACER TRIAL 2012	CASQUILLO TRAPECIO SUSPENSION TRIAL 2012
37	4542	4542	4542	SUPPORT DE BEQUILLE SANS BUTEE NOIR	STAND HOLDER WITHOUT RETAIN BLACK	SOPORTE CABALLETE SIN TOPE NEGRO
38	C166	C166	C166	VIS SPECIALE BEQUILLE ZN NI TR	SIDE STAND SPECIAL BOLT ZN NI TR	TORNILLO ESPECIAL CABALLETE ZN NI TR
39	5511	5511	5511	BRAS OSCILLANT NOIR SC/SH	BLACK SWINGARM SC/SH	BASCULANTE NEGRO SC/SH
40	2024	2024	2024	PROTECTEUR DISC ARIERE 09 NOIR TR	PROTECTOR BRAKE DISC BACK 09 BLACK	PROTECTOR DISCO TRASERO NEGRO 09
41	5190	5190	5190	AXE BRAS OSCILLANT FILLETAGE FINE	ALUMINIUM SWINGARM AXLE FINE	EJE BASCULANTE ALUMINIO FINO
42	2026	2026	2026	PROTECTEUR COURRONE NOIR TR	PROTECTEUR SPROKET BLACK TR	PROTECTOR CORONA NEGRO TR
43	7892	7892	7892	KIT SUPPORT SILENCIEUX SUPERIEUR TR	UP SUPPORT SILENCER TR SET	KIT SOPORTE SILENCIADOR SUPERIOR TR
44	7790	7790	7790	ENTRETOISE SUPORT SILENCIEUX TR	SUPORT SILENCER SPACER TR	CASQUILLO SOPORTE SILENCIADOR TR
45	1663	1663	1663	CAUTCHOUX BUTEE DE BEQUILLE TRIAL 08	STAND SIDE RUBER TRIAL 08	GOMA TOPE CABALETE 08
46	M315	M315	M315	RONDELLE X 10 1405 010 ZN NI TR	WASHER X 10 ZN NI TR	ARANDELA X 10 DIN 125 A ZN NI TR
47	M304	M304	M304	ECROU NYLSTOP M10 0368.10	NUT NYLSTOP M10	TUERCA NYLSTOP M10

Radiateur-Échappement / Radiator-Exhaust / Radiador-Escape



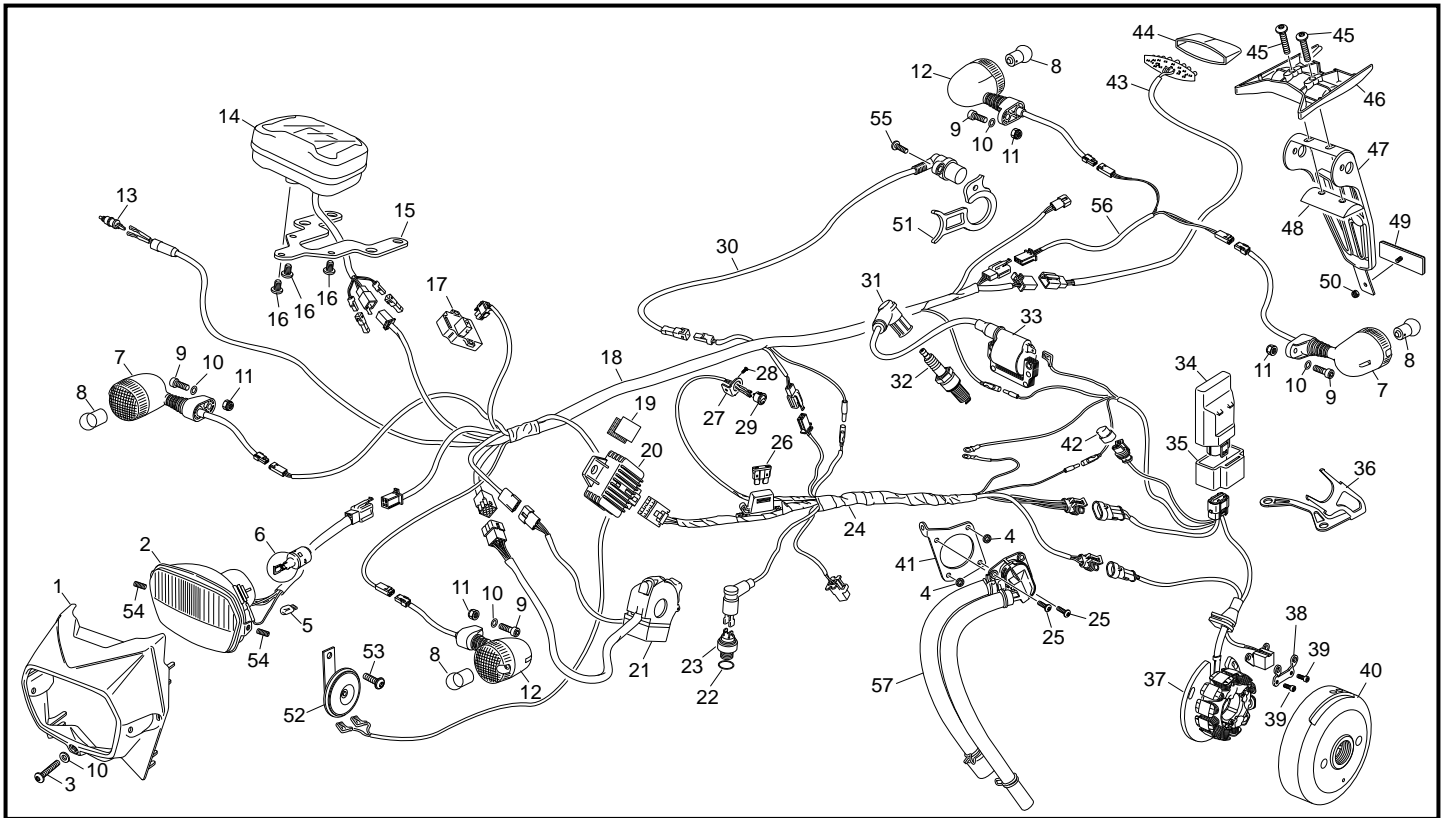
POS.	1.25	2.5	3.0	FRANÇAIS	ENGLISH	ESPAÑOL
1	7369	7214	7214	TUBE ECHAPPEMENT TR 125	EXHAUST PIPE TR 125	CURVA DE ESCAPE TR 125
2	5510	5510	5510	POT CENTRAL ALU SC/SH	EXH CENTRAL ALU SC/SH	SILENCIOSO CENTRAL ALU SC/SH
3	M268	M268	M268	VIS BHC 6 X 16 CARROSSERIE ZN NI TR - TL 180°	SCREW BHC 6 X 16 CARROSSERIE ZN NI TR - TL 180°	TORNILLO 6 X 16 ESPECIAL CARROCERIA ZN NI TR - TL 180°
4	M269	M269	M269	VIS BHC 6 X 20 CARROSSERIE ZN NI TR	SCREW BHC 6 X 20 CARROSSERIE ZN NI TR	TORNILLO 6 X 20 ESPECIAL CARROCERIA ZN NI TR
5	5487	5487	5487	CANE DE RECHANGE SILENCIEUX TR SHERCO	TUBE SPARE PARTS EXHAUST TR SHERCO	CAÑA DE RECAMBIO SILENCIOSO TR SHERCO
6	4913	4913	4913	JOINT TORIQUE POT CENTRAL SILICONE 52 X 2,5	O-RING MIDDLE SILENCER SILICONE 52 X 2,5	TORICA SILENCIADOR CENTRAL SILICONA 52 X 2,5
7	5127	5127	5127	CONE SORTIE SILENCIEUX TR 14	CONE EXHAUST SILENCER TR 14	CONO SALIDA SILENCIADOR TR 14
8	6593	6593	6593	VIS FHC 8 X 20 1089 ZN NI TR - TL 180°	SCREW FHC 8 X 20 ZN NI TR - TL 180°	TORNILLO AVELLANADO M 8 X 20 ZN NI TR - TL 180°
9	5509	5509	5509	PROTECTEUR ECHAPPEMENT SCORPA	EXHAUST COVER SCORPA	PROTECTOR ESCAPE SCORPA
10	5577	5577	5577	GOME INTERIEUR CONE SORTIE SILENCIEUX TR 14	INTERNAL RUBBER CONE EXHAUST SILENCER TR 14	GOMA INTERIOR CONO SALIDA SILENCIADOR TR 14
11	5475	5475	5475	DURITE CARTER RADIATEUR TR SC/SH	RUBBER TUBE CRANKSHAFT/RADIATOR TR SC/SH	MANGUITO CARTER/RADIADOR TR SC/SH
12	5474	5474	5474	DURITE CULASSE RADIATEUR TR SC/SH	RUBBER CILYNDER HEAD RADIATOR TR SC/SH	MANGUITO CULATA/RADIADOR TR SC/SH
13	C114	C114	C114	COLLIER DURITE NORMA VERT 21	COLLARD NORMA GREEN 21	ABARAZADERA MANGUITOS VERDE 21
14	3127	3127	3127	RADIATEUR 2T	RADIATOR 2T	RADIADOR 2T
15	1523	1523	1523	VENTILATEUR COMEX 120	FAN DIAM COMEX 120	VENTILADOR COMEX 120
16	3773	3773	3773	GRILLE RADIATEUR 12	RADIATOR PROTECTOR 12	REJILLA RADIADOR 12
17	4978	4978	4978	SILENT BLOC RADIATEUR DISIMETRIQUE	SILENT-BLOC RADIATOR ASIMETRIC	SILENT-BLOC RADIADOR ASIMETRICO
18	3772	3772	3772	RIVET ZEBRA 2.4 X 6 ALU	RIVET POP DIAM 2.4 X 6 ALU	REMACHE 2.4 X 6 ALU
19	3952	3952	3952	ENTRETOISE RADIATEUR	RADIATOR BRUSH	CASQUILLO RADIADOR
20	M168	M168	M168	JOINT TORIQUE 14 X18X2	O RING 14X18X2	TORICA 14X18X2
21	3194	3194	3194	CAUTCHOUX SILENT BLOC	SILENTBLOCK RUBBER	CAUCHO SILENTBLOCK
22	2269	2269	2269	VALVE PRESSION RADIATEUR	PRESSION VALVE RADIATO	VALVULA PRESSION RADIADOR
23	4558	4558	4558	BOUCHON RADIATEUR TRIAL NOIR	RADIATOR TAP TRIAL BLACK	TAPON RADIADOR TRIAL NEGRO
24	3193	3193	3193	ENTRETOISE SILENT BLOC	BUSH SILENTBLOCK	CASQUILLO SILENTBLOCK
25	M252	M252	M252	VIS CHC 6 X 20 0084 ZN NI TR PRE IMPREGNEE MOYEN	SCREW CHC 6 X 20 ZN NI TR PRE IMPREGNEE MOYEN	TORNILLO 6 X 20 DIN 912 ZN NI TR PRE IMPREGNEE MOYEN
26	C122	C122	C122	JOINT SPIROMETALIQUE 38X44X2.5	GASKET RING SPIRALWOUND 38X44X2.5	JUNTA ESPIROMETALICA 38X44X2.5
27	2937	2937	2937	VIS BHC 5 X8 ISO 7380 ZN NI TR	SCREW BHC 5 X8 ZN NI TR	TORNILLO ULS 5 X 8 ISO 7380 ZN NI TR
28	M308	M308	M308	ECROU CLIP M6 0500500400	NUT CLIP M6	TUERCA CLIP M6
29	2860	2860	2860	RONDELLE ALU 8X12X1	WASHER ALU 8X12X1	ARANDELA ALU 8X12X1
30	7337	----	----	REDUCTEUR ECHAPPEMENT 125CC 2018	REDUCTION EXAUST 125CC 2018	REDUCTOR ESCAPE 125CC 2018
31	6736	6736	6736	TUBE ECHAPPEMENT HOMOLOGUE E4 TRIAL	EXHAUST PIPE HOMOLOGATION E4 TRIAL	CURVA DE ESCAPE HOMOLOGADA E4 TRIAL

Faisceau électrique / Electrical system / Instalación eléctrica



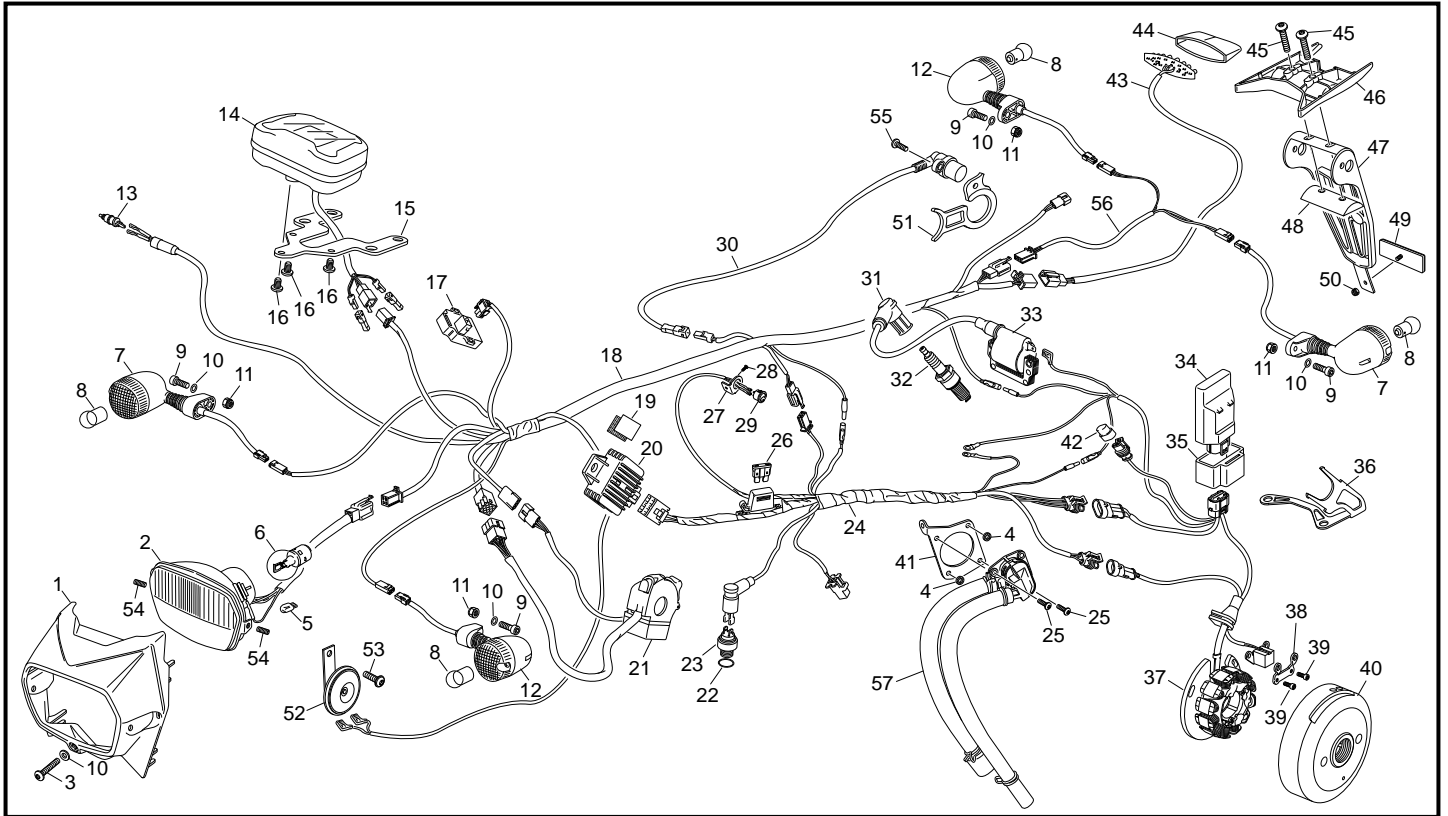
POS.	1.25	2.5	3.0	FRANÇAIS	ENGLISH	ESPAÑOL
1	8305	8305	8305	FAISCEAU ELECTRIQUE PRINCIPAL TR E4 2020	PRINCIPAL ELECTRIC CABLE TR E4 2020	INSTALACION ELECTRICA PRINCIPAL TR E4 2020
2	8306	8306	8306	FAISCEAU ELECTRIQUE ECLAIRAGE RACING TR 2020	RACING LIGHT ELECTRIC CABLE TR 2020	INSTALACION ELECTRICA LUCES RACING TR 2020
3	R493	R493	R493	DISPOSITIF TOMBÉE PILOTE OXIA	FALLEN DEVICE RIDER OXIA	DISPOSITIVO CAIDA PILOTO OXIA
4	5477	5477	5477	SUPPORT CDI HI TRIAL SC/SH	HOLDER CDI HI TRIAL SC/SH	SOPORTE CDI HI TRIAL SC/SH
5	8391	5514	5514	ROTOR ALLUMAGE TRIAL 125CC TR20	FLYWHEEL IGNITION TRIAL 125CC TR20	ROTOR ENCENDIDO TRIAL 125CC TR20
6	0664	0664	0664	FUSIBLE 10 A LITLIFUSE	FUSE 10 A	FUSIBLE 10 A LITLIFUSE
7	3195	3195	3195	OPTIQUE FEU AV BLANCHE SR280	FRONT LIGHT COVER WHITE SR 280	OPTICA PILOTO DEL BLANCA SR 280
8	2762	2762	2762	LED FEU AV/ARR SR280	FRONT/REAR BULB SR280	LED DELANTERO/TRASERO SR280
9	2880	2880	2880	FAISCEAU PLAQUE PHARE AV SR280	FRONT LIGHT WIRELESS SR280	INSTALATION ELEC PLACA FARO SR 280
10	2921	2921	2921	INTERUPTEUR LUMIERE TRIAL	FRONT LIGHT STOP TRIAL	INTERUPTOR LUCES TRIAL
11	3202	3202	3202	FIXATION INTERRUPTOR LUMIERE	STRAP FIX INT	LAPA FIJACION INTERRUPTOR
12	M288	M288	M288	VIS CHC 5X6 1093	SCREW CHC 5X6	TORNILLO CHC 5X6
13	M331	M331	M331	COLLIER RISLAN100 X 2.5	PLASTIC CLAMPS 100 X 2.5	ABRAZADERA 100X 2.5
14	8688	8688	8688	VELCRO L 30 M:M: DUAL LOCK 3M	VELCRO L 30 M:M: DUAL LOCK 3M	VELCRO L 30 M:M: DUAL LOCK 3M
15	8307	8307	8307	REGULATEUR TR 2020	REGULATOR TR 2020	REGULADOR TR 2020
16	6817	6817	6817	SONDE THERMIQUE 2T TR E4	SONDE THERMIQUE 2T TR E4	SONDA TERMICA 2T TR E4
17	M651	M651	M651	JOINT 13.10 X 1.6 SORTIE EAU 4T TRIAL	WATER EXIT O SEAL 13.10 X 1.6 TRIAL	TORICA 13.105 X 1.6 TUBO SALIDA AGUA TRIAL
18	7255	7255	7255	SUPPORT CHANGEMENT MAP	CHANGE MAP SUPPORT	SOPORTE CAMBIO MAPA
19	8689	8689	8689	MICROINTERRUPTEUR MAP LEO	MICROINTERRUPTOR MAPA LEO	MICROINTERRUPTOR MAPA LEO
20	5635	5635	5635	VIS 3,5 X 12 BOITE FILTRE	SCREW 3,5 X 12 FILTER BOX	TORNILLO 3,5 X 12 CAJA DE FILTRO
21	7393	7393	7393	ANTIPARASITE NGK CPL SE	NGK SPARK PLUG CUP ASSY SE	CTO PIPA BUJIA SE
22	6779	6779	6779	BOBINE HIDRIA TRIAL 2T FACT 18	IGNITION COIL HIDRIA TR 2T FACT 18	BOBINA HIDRIA TRIAL 2T FACT 18
23	C396	C396	C396	BOUGIE ANTIPARASITE HOMOL	SPARK PLUG ANTIPARASITE HOMOL	BUJIA ANTIPARASITARIA HOMOL
24	M282	M282	M282	VIS BHC 6 X 10 1093 ZN NI TR	SCREW BHC 6 X 10 ZN NI TR	TORNILLO 6 X 10 BHC ZN NI TR
25	7068	7068	7068	BOUCHON CONECTEUR 2V SUPERSEAL 1.5	TAP CONECTOR 2V SUPERSEAL 1.5	TAPON CONECTOR 2V SUPERSEAL 1.5
26	8652	8653	8654	CDI HI TRIAL 1.25 DOUBLE COURBE / ETINCELLE E4 19	CDI BOX HI TRIAL 1.25 DOUBLE CURVE / SPARK E4 19	CDI HI TRIAL 1.25 DOBLE CURVA / CHISPA E4 19
27	3586	3586	3586	CAUTCHOUÇ SUPPORT CDI HI TRIAL	RUBBER CDI HI TRIAL	GOMA CDI HI TRIAL
28	8385	8384	8384	STATOR ALLUMAGE TRIAL 20 HI 125 DIGITAL 12P E4	TRIAL 20 STATOR IGNITION HI 125 DIGITAL 12P E4	ESTATOR ENCENDIDO TRIAL 20 HI 125 DIGITAL 12P E4
29	4433	----	----	SUPPORT PICK UP 125 HI. TRIAL	SUPORTE PICK UP 125 HI. TRIAL	SOPORTE PICK UP 125 HI. TRIAL

Faisceau électrique homologué / Street legal electrical system / Instalación eléctrica homologación



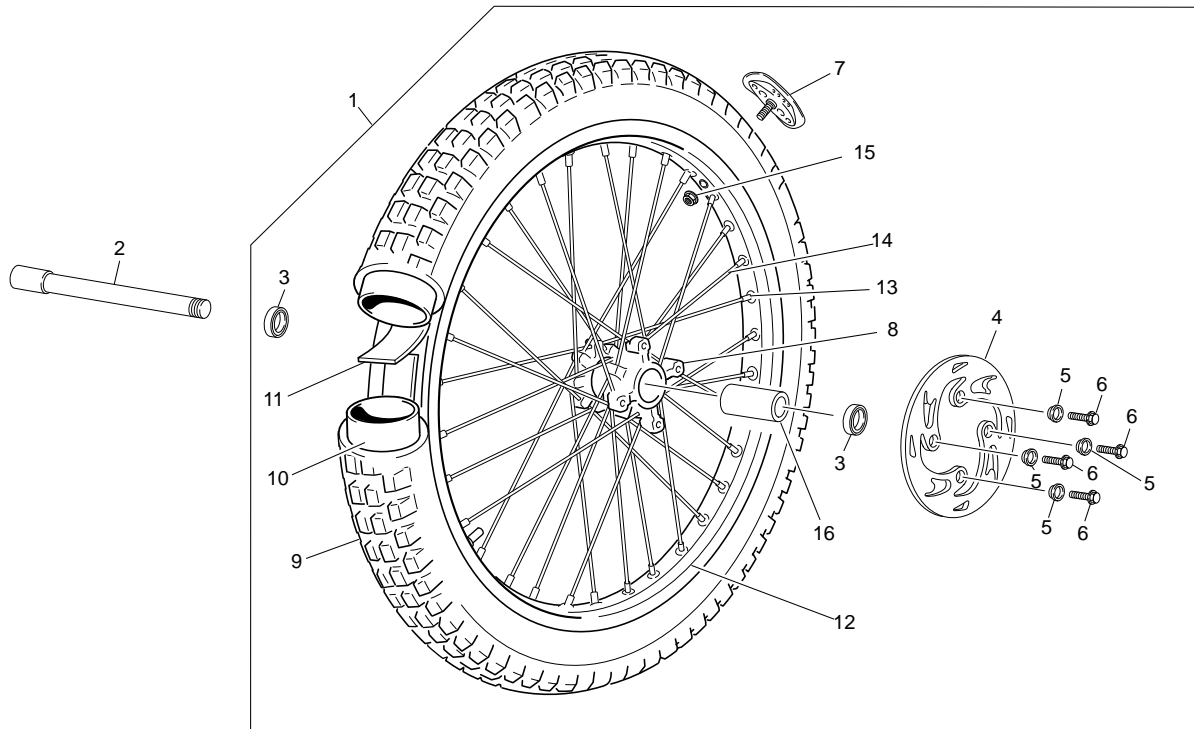
POS.	1.25	2.5	3.0	FRANÇAIS	ENGLISH	ESPAÑOL
1	4612	4612	4612	PLAQUE PHARE ORANGE HOMOLOGATION	FRONT LIGHT ORANGE HOMOL.	PLACA FARO NARANJAS HOMOLOGADA
2	S353	S353	S353	GROUPE PHARE RINDER AVEC FAISCEAU	FRONT LIGHT SET RINDER WITH INST.	OPTICA FARO DELANTERO RINDER CON INST.
3	M258	M258	M258	VIS BHC 5 X 16 1093 ZN NI TR	SCREW BHC 5 X 16 ZN NI TR	TORNILLO 5 X 16 ULS ZN NI TR
4	M252	M252	M252	VIS CHC 6 X 20 0084 ZN NI TR PRE IMPREGNEE MOYEN	SCREW CHC 6 X 20 ZN NI TR PRE IMPREGNEE MOYEN	TORNILLO 6 X 20 DIN 912 ZN NI TR PRE IMPREGNEE MOYEN
5	C067	C067	C067	AMPOULE 2001 12V 5W	BULB2001	BOMBILLA 2001 12V 5W
6	C403	C403	C403	AMPOULE PHILIPS PHARE HOMOL 12V 35/35W	BULB FRONT LIGHT PHILIPS HOMOL 12V 35/35W	BOMBILLA FARO PHILIPS 12V 35/35W
7	S234	S234	S234	CLIGNO DROIT	RIGHT TRAFICATTOR	INTERMITTENTE DERECHO
8	C405	C405	C405	AMPOULE CLIGNO 10W 12V	BULB IND LIGHT 10W 12V	BOMBILLA INTERMITENTES 10W 12V
9	M251	M251	M251	VIS CHC 6 X 16 0084 ZN NI TR	SCREW CHC 6 X 16 ZN NI TR	TORNILLO 6 X 16 DIN 912 ZN NI TR
10	M317	M317	M317	RONDELLE 6 X 12 0407 6 ZI NI TR	WASHER X 6 ZI NI TR	ARANDELA 6 DIN 125 A ZI NI TR
11	M306	M306	M306	ECROU NYLSTOP M6 0368.6	NUT NYLSTOP M6	TUERCA NYLSTOP M6
12	S233	S233	S233	CLIGNO GAUCHE	LEFT TRAFFICATOR	INTERMITENTE IZQUIERDO
13	R354	R354	R354	CONTACTEUR FREIN AV 50 END	FRONT BRAKE ELECTRIC CONTACT 50 END	INTERRUPTOR FRENO DEL 50 END
14	6806	6806	6806	COMPTEUR DE VITESSE TRIAL S HALL NAKED E4	SPEEDOMETR TRIAL DIGITAL SONDE HALL NAKED E4	VELOCIMETRO TRIAL DIGITAL SONDA HALL NAKED E4
15	2889	2889	2889	SUPPORT COMPTEUR DIGITAL	SUPORT SPEEDOMETER DIGITAL	SOPORTE CUENTA KM DIGITAL
16	2937	2937	2937	VIS BHC 5 X 8 ISO 7380 ZN NI TR	SCREW BHC 5 X 8 ZN NI TR	TORNILLO ULS 5 X 8 ISO 7380 ZN NI TR
17	0364	0364	0364	CENTRALE CLIGNOT END 450	INDICATIVE LIGHT SYSTEM END 450	CENTRAL INTERMITENCIA END 450
18	8390	8390	8390	FAISCEAU ELECTRIQUE HOMO TR E4 2020	HOMO ELECTRIC CABLE TR E4 2020	INSTALACION ELECTRICA HOMO TR E4 2020
19	8688	8688	8688	VELCRO L 30 M:M: DUAL LOCK 3M	VELCRO L 30 M:M: DUAL LOCK 3M	VELCRO L 30 M:M: DUAL LOCK 3M
20	8307	8307	8307	REGULATEUR TR 2020	REGULATOR TR 2020	REGULADOR TR 2020
21	0413	0413	0413	COMMODO GAUCHE END 450	SWITCH LEFT END 450	COMODO ELECTRIC END 450
22	M651	M651	M651	JOINT 13.10 X 1.6 SORTIE EAU 4T TRIAL	WATER EXIT O SEAL 13.10 X 1.6 TRIAL	TORICA 13.105 X 1.6 TUBO SALIDA AGUA TRIAL
23	6817	6817	6817	SONDE THERMIQUE 2T TR E4	SONDE THERMIQUE 2T TR E4	SONDA TERMICA 2T TR E4
24	8305	8305	8305	FAISCEAU ELECTRIQUE PRINCIPAL TR E4 2020	PRINCIPAL ELECTRIC CABLE TR E4 2020	INSTALACION ELECTRICA PRINCIPAL TR E4 2020
25	M278	M278	M278	VIS BHC 5 X 10 1093 ZN NI TR TUFLOK180	SCREW BHC 5X10 ZN NI TR TUFLOK 180	TORNILLO 5 X 10 ULS ZN NI TR TUFLOK 180
26	0664	0664	0664	FUSIBLE 10 A LITLIFUSE	FUSE 10 A	FUSIBLE 10 A LITLIFUSE
27	7255	7255	7255	SUPPORT CHANGEMENT MAP	CHANGE MAP SUPPORT	SOPORTE CAMBIO MAPA
28	5635	5635	5635	VIS 3,5 X 12 BOITE FILTRE	SCREW 3,5 X 12 FILTER BOX	TORNILLO 3,5 X 12 CAJA DE FILTRO
29	8689	8689	8689	MICROINTERRUPTEUR MAP LEO	MICROINTERRUPTOR MAP LEO	MICROINTERRUPTOR MAPA LEO
30	5032	5032	5032	CABLE COMPTEUR HALL TRIAL	CABLE SPEEDOMETRO HALL TRIAL	CABLE VELOCIMETRO HALL TRIAL
31	7393	7393	7393	ANTIPARASITE NGK CPL SE	NGK SPARK PLUG CUP ASSY SE	CTO PIPA BUJIA SE
32	C396	C396	C396	BOUGIE ANTIPARASITE HOMOL	SPARK PLUG ANTIPARASITE HOMOL	BUJIA ANTIPARASITARIA HOMOL
33	6779	6779	6779	BOBINE HIDRIA TRIAL 2T FACT 18	IGNITION COIL HIDRIA TR 2T FACT 18	BOBINA HIDRIA TRIAL 2T FACT 18
34	7848	7752	7753	CDI HI TRIAL 1.25 DOUBLE COURBE / ETINCELLE E4 19	CDI BOX HI TRIAL 1.25 DOUBLE CURVE / SPARK E4 19	CDI HI TRIAL 1.25 DOBLE CURVA / CHISPA E4 19
35	3586	3586	3586	CAUTCHOUX SUPPORT CDI HI TRIAL	RUBBER CDI HI TRIAL	GOMA CDI HI TRIAL

Faisceau électrique homologué / Street legal electrical system / Instalación eléctrica homologación



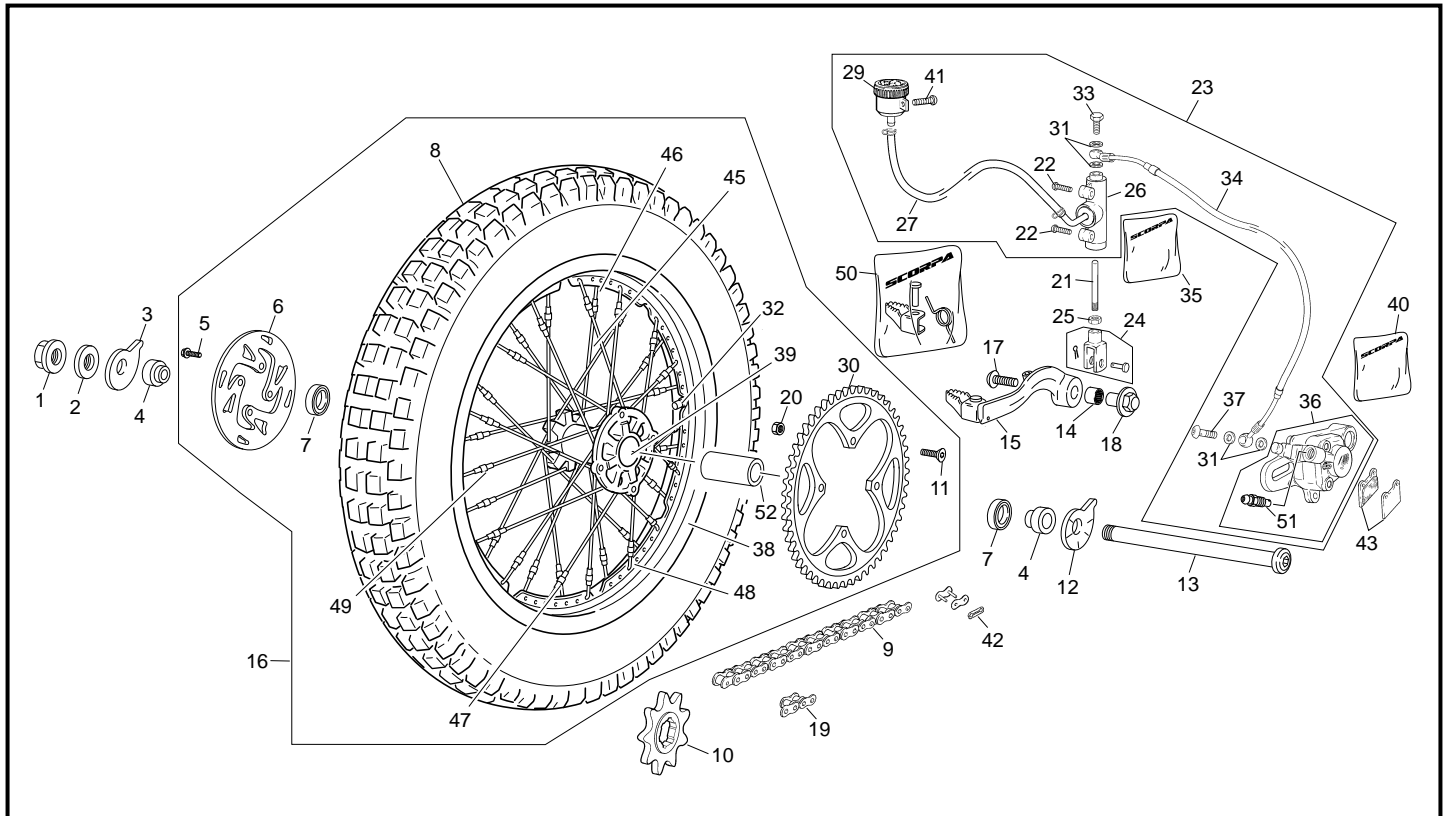
POS.	1.25	2.5	3.0	FRANÇAIS	ENGLISH	ESPAÑOL
36	5477	5477	5477	SUPPORT CDI HI TRIAL SC/SH	HOLDER CDI HI TRIAL SC/SH	SOPORTE CDI HI TRIAL SC/SH
37	8385	8384	8384	STATOR ALLUMAGE TRIAL 20 HI DIGITAL 12P E4	TRIAL 20 STATOR IGNITION HI DIGITAL 12P E4	ESTATOR ENCENDIDO TRIAL 20 HI DIGITAL 12P E4
38	4433	4433	4433	SUPPORT PICK UP 125 HI. TRIAL	SUPORT PICK UP 125 HI. TRIAL	SOPORTE PICK UP 125 HI. TRIAL
39	M288	M288	M288	VIS CHC 5X6 1093	SCREW CHC 5X6	TORNILLO CHC 5X6
40	8391	5514	5514	ROTOR ALLUMAGE TRIAL SEUL	FLYWHEEL IGNITION TRIAL ONLY	ROTOR ENCENDIDO TRIAL SOLO
41	4340	4340	4340	SUPPORT BOITIER AIR PARALEL TRIAL	AIR PARALEL HOLDER TRIAL	SOPORTE CAJA AIRE PARALELO TRIAL
42	7068	7068	7068	BOUCHON CONECTEUR 2V SUPERSEAL 1.5	TAP CONECTOR 2V SUPERSEAL 1.5	TAPON CONECTOR 2V SUPERSEAL 1.5
43	8228	8228	8228	LED ARRIERE LONG TR 20	REAR BULB LONG TR 20	LED TRASERO LARGO TR 20
44	2049	2049	2049	FEU ARRIERE TR 09	REAR LIGHT TR	LUZ TRASERA TR
45	2052	2052	2052	VIS BHC 5 X 20	SCREW BHC 5 X 20	TORNILLO 5 X 20 ULS
46	2048	2048	2048	SUPPORT FEU ARRIERE TR 09	FIXATION RED LIGHT TR 09	SOPORTE LUZ TRASER TR 09
47	2046	2046	2046	SUPPORT IMMATRICULATION TR 09	MATRICULATION SUPPORT TR 09	SOPORTE MATRICULA TR 09
48	2047	2047	2047	FIXATION SUPPORT IMMATRICULATION TR 09	FIXATION MATRICULATION SUPPORT TR 09	SUJECION SOPORTE MATRICULA TR 09
49	H161	H161	H161	CATADIOPTRE	REFLECTORS	REFLECTORES
50	M355	M355	M355	ECROU NYLSTOP M5	NUT NYLSTOP M5	TUERCA NYLSTOP M5
51	8499	8499	8499	SUPPORT CAPTEUR DE TOURS TRIAL HALL	SUPPORT SPEEDOMETER SENSOR TRIAL HALL	SOPORTE CAPTADOR CUENTA KM TRIAL HALL
52	0447	0447	0447	CLAXON END 450	HORN END 450	CLAXON END 450
53	M269	M269	M269	VIS BHC 6 X 20 CARROSSERIE ZN NI TR	SCREW BHC 6 X 20 CARROSSERIE ZN NI TR	TORNILLO 6 X 20 ESPECIAL CARROCERIA ZN NI TR
54	M400	M400	M400	VIS SANS TETE DU KICK	SCREW NO HEAD KICK LEVER M5X12	ESPARRAGO M5X12 DIN 913
55	M282	M282	M282	VIS BHC 6 X 10 1093 ZN NI TR	SCREW BHC 6 X 10 ZN NI TR	TORNILLO 6 X 10 BHC ZN NI TR
56	8414	8414	8414	FAISCEAU ELEC ARRIERE CLIGNO SEUL TRIAL 2020	INTERMITTENT REAR INSTALATION TRIAL 2020	INSTALACION ELEC TRAS INTERMITENCIA TRIAL 2020
57	C641	C641	C641	BOITIER AIR SECONDAIRE HOMOL	BOX SECOND AIR HOMOL	CAJA AIRE SECUNDARIO HOMOL

Roue avant / Front wheel / Rueda delantera



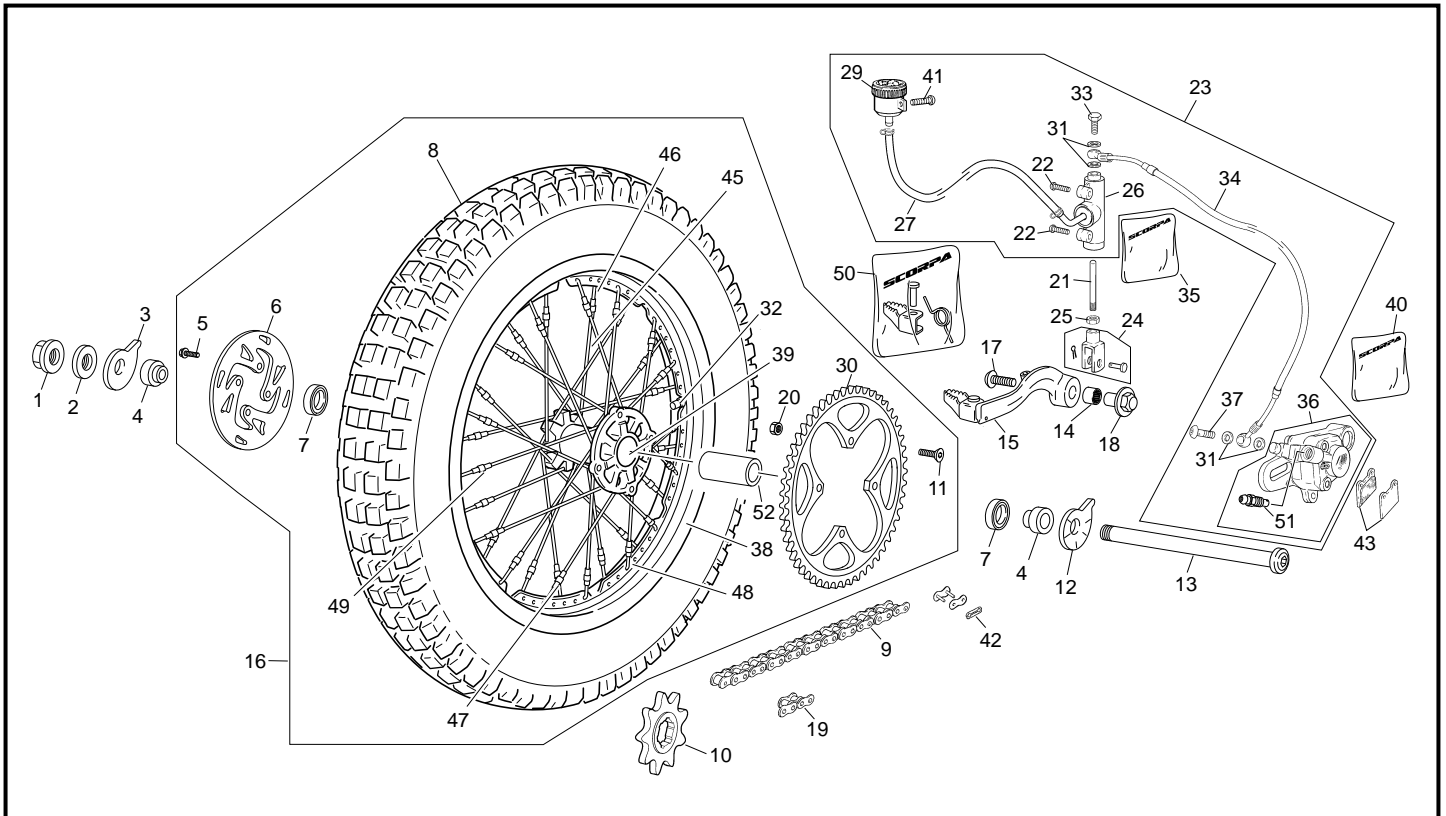
POS.	1.25	2.5	3.0	FRANÇAIS	ENGLISH	ESPAÑOL
1	7590	7590	7590	ROUE AVANT TR. ORANGE 19+MOYEU BLANC TWENTY F	FRONT WHEEL TR ORANGE 19 + HUB WHITE TWENTY F	RUEDA DEL TR NARANJA 19 + BUJE BLANCO TWENTY F
2	5835	5835	5835	ADHESIF PROTEC SILEN/ RES JEUX 2015 F	ADH. PROTECTOR SILEN/ PETROL TANK KIT TR 15 F	ADESIVO PROTECTOR SILEN/ DEPO JUEGO TR 15 F
3	0175	0175	0175	ROULEMENT BILLE 6004.2RSH/C3	BERING BALL 6004.2RSH/C3	COJINETE 6004.2RSH/C3
4	7461	7461	7461	DISQUE FREIN AVANT GALFER TR FIM	FRONT DISC GALFER TR FIM	DISCO FRENO DELANTERO GALFER TRFIM
5	C209	C209	C209	ENTRETOISE DISQUE AVANT	SPACER DISC	CASQUILLO FLOTANTE DISCO
6	C452	C452	C452	VIS HEXAGONAL EPAULE M6 X 18	SCREW EXAGONAL M6 X 18	TORNILLO EXAGONAL CON VALONA M6 X 18
7	C203	C203	C203	GRIPSTER	TYRE STAY	FRENO CUBIERTA
8	5359	5359	5359	MOYEU AVANT BLANC F	FRONT HUB WHITE F	BUJE DELANTERO BLANCO F
9	6228	6228	6228	PNEU AVANT TRIAL DUNLOP D803 FGP	FRONT TIRE TRIAL DUNLOP D803 FGP	NEUMATICO DELANTERO TRIAL DUNLOP D803 FGP
10	C202	C202	C202	CHAMBRE A AIR 21AB	TUBE OXIA 80 / 90 - 21	CAMARA 21
11	0314	0314	0314	FOND JANTE AV 21 END 450	RIM RUBBER BAND 21 END 450	FONDO LLANTAS 21 END 450
12	7522	7522	7522	JANTE AVANT ORANG BRI 1.60X21 32 RAYONS	FRONT RIM ORANG BRIGHTT 1.60X21 32 R	LLANTA DELANTERA NARANJA BRI 1.60X21 32 RADIOS
13	3398	3398	3398	ECROU DE RAYON AVANT M3.5X0.60	FRONT NEEPLE SPOCKE M3.5X0.60	TUERCA RADIO DELANTERO M3.5X0.60
14	3397	3397	3397	RAYON 257 X 3 NEW NOIR	SPOCKE 257 X 3 NEW BLACK	RADIO 257 X 3 NUEVO NEGRO
14	5636	5636	5636	RAYON 257 X BLANC	SPOCKE 257 X 3 WHITE	RADIO 257 X 3 BLANCO
15	M305	M305	M305	ECROU NYLSTOP M8 0368.8	NUT NYLSTOP M8	TUERCA NYLSTOP M8
16	5930	5930	5930	ENTRETOISE INTERNE MOYEU AVANT TRIAL	FRONT HUB SPACER TRIAL	SEPARADOR INT BUJE DEL TRIAL

Roue arrière / Rear wheel / Rueda trasera



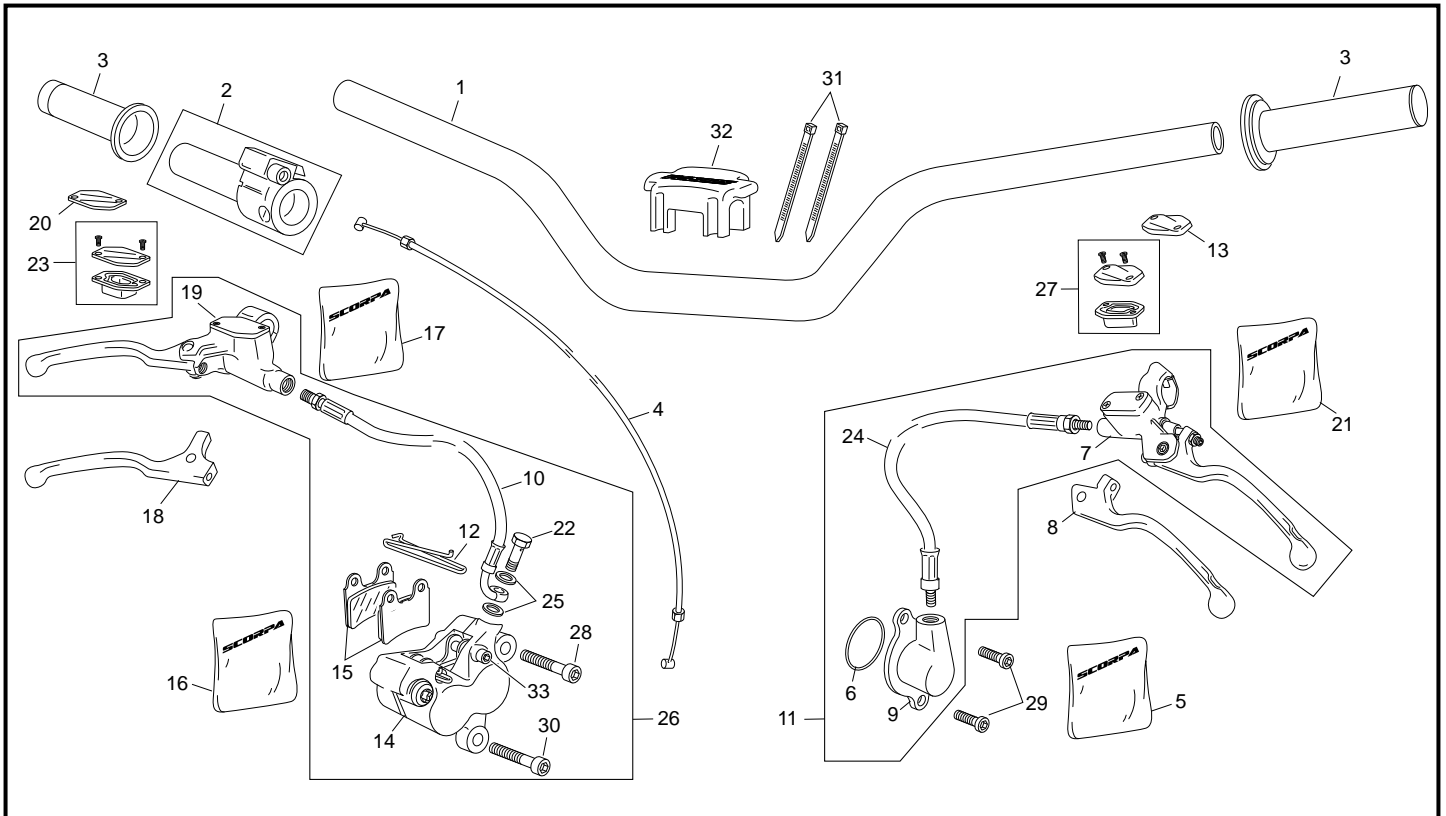
POS.	1.25	2.5	3.0	FRANÇAIS	ENGLISH	ESPAÑOL
1	C253	C253	C253	ECROU ROUE ARRIERE	REAR AXLE NUT	TUERCA EJE RUEDA TRASERA
2	M314	M314	M314	RONDELLE X 16 1405 016 ZN NI TR	WASHER X 17 ZN NI TR	ARANDELA X 17 ZN NI TR
3	7345	7345	7345	EXCENT TENDEUR CHAINE JEU ORANGE OXIA FAC	SET RUNNER CHAIN ORANGE OXIA FAC	JUEGO EXCENTR. TENSOR CADENA NARANJA OXIA FAC
4	C255	C255	C255	ENTRETOISE ROUE ARRIERE	REAR BRUSH	SEPARADOR RUEDA TRASERA
5	C452	C452	C452	VIS HEXAGONAL EPAULE M6 X 18	SCREW EXAGONAL M6 X 18	TORNILLO EXAGONAL CON VALONA M6 X 18
6	5358	5358	5358	DISQUE FREIN ARRIERE GALFER TR F	REAR DISC GALFER TR F	DISCO FRENO TRASERO GALFER TR F
7	0175	0175	0175	ROULEMENT BILLE 6004.2RSH/C3	BERING BALL 6004.2RSH/C3	COJINETE 6004.2RSH/C3
8	6229	6229	6229	PNEU ARRIERE MICHELIN X11 400X18	REAR TYRE MICHELIN X11 400 X 18	NEUMATICO TRAS.MICHELIN X11 400 X 18
9	C081	C265	C265	CHAINE 103M	CHAIN 103M	CADENA 103M
10	M227	M227	M227	PIGNON 9 D	SPROCKET 9 T	PINON 9 D
11	M287	M287	M287	VIS BHC 8 X 22	SCREW BHC 8 X 22	TORNILLO BHC 8 X 22
12	7345	7345	7345	EXCENT TENDEUR CHAINE JEU ORANGE OXIA FAC	SET RUNNER CHAIN ORANGE OXIA FAC	JUEGO EXCENTR. TENSOR CADENA NARANJA OXIA FAC
13	4594	4594	4594	AXE ROUE ARRIERE NOIR	AXELE BACK WEEL BLACK	EJE RUEDA TRAS NEGRO
14	2299	2299	2299	DOUILLE BRONZE PEDALE FREIN TR	BEARING	CASQUILLO BRONCE PEDAL FRENO TR
15	4560	4560	4560	PEDALE DE FREIN NOIR	REAR BRAKE PEDAL BLACK	PEDAL FRENO TRASERO NEGRO
16	7591	7591	7591	ROUE ARRIERE ORANGE 19+MOYEU BLANC TWENTY F Z44	BACK WHEEL TR ORANGE 19+HUB WHITE TWENTY F Z44	RUEDA TRAS. TR NARANJA 19 + BUJE BLANCO TWENTY F Z44
17	M280	M280	M280	VIS BHC 8 X 16 ZN NI TR PRE IMPREGNEE FAIBLE	SCREW BHC 8 X 16 ZN NI TR - TL 180°	TORNILLO 8 X 16 ULS ZN NI TR - TL 180°
18	5076	5076	5076	ENTRETOISE PEDALE DE FREIN INTEGRALE	SPACER BRAKE PEDAL INTEGRAL	CASQUILLO PEDAL DE FRENO INTEGRAL
19	C304	C304	C304	1/2 MAILLON DE CHAINE	HALF COMPLING CONNECTION	MEDIA MALLA DE CADENA
20	M305	M305	M305	ECROU NYLSTOP M8 0368.8	NUT NYLSTOP M8	TUERCA NYLSTOP M8
21	C261	C261	C261	TIGE FREIN ARRIERE	PIN BRAKE ROD	TIJA PEDAL FRENO TRASERO
22	M283	M283	M283	VIS BHC 6 X 16 1093 ZI NI TR	SCREW BHC 6 X 16 ZI NI TR	TORNILLO 6 X 16 ULS ZI NI TR
23	C321	C321	C321	GROUPE FREIN ARRIERE	REAR BRAKE COMPLETE	CTO FRENO TRASERO
24	C259	C259	C259	CHAPE PEDALE FREIN 0267	REAR BRAKE ROD	HORQUILLA PEDAL DE FRENO
25	M309	M309	M309	ECROU STANDARD M6 0317	NUT M6	TUERCA M6
26	C385	C385	C385	POMPE FREIN AR Ø9.5	REAR MASTER CYLINDER Ø9.5	BOMBA FRENO TRASERO 9.5
27	R069	R069	R069	TUBE LIQUIDE FREIN BOCAL/POMPE L 210	OIL TANK TUBE L 210	TUBO LIQUIDO FRENO L 210
29	R066	R066	R066	BOCAL LIQUIDE FREIN	OIL TANK BRAKE SEE 4661	DEPOSITO LIQUIDO FRENO VER 4661
30	4533	6471	6471	COURONNE 44D 4 TROUS LEGERE NOIR	REAR SPROKET 44D LIGTH BLACK	CORONA 44D 4TROUS LIGERA NEGRA
31	R074	R074	R074	RONDELLE BANJO CUIVRE 10X14X1.5	WASHER COPPER 10X14X1.5	ARANDELA BANJO COBRE 10X14X1.5
32	3631	3631	3631	VALVE AR JANTE NER	TUBLESS VALVE RIM NER	VALVULA LLANTA NERVI
33	R059	R059	R059	VIS RACCORD M10 X 21 HEXA	LINK SCREW M10 X 21 HEXA	TORNILLO RACORD M10 X 21HEXA
34	C388	C388	C388	DURITE FREIN ARRIERE TRIAL	REAR BRAK HOSE TRIAL	LATIGUILLO FRENO TRASERO TRIAL
35	R233	R233	R233	KIT REPARATION POMPE FREIN AR TRIAL	REAR MASTER CYLINDER SEAL KIT TRIAL	KIT REPARATIONBOMBA FRENO TRIAL
36	C386	C386	C386	ETRIER FREIN ARRIERE 2002	REAR CALIPER 2002	PINZA FRENO TRASERO 2002

Roue arrière / Rear wheel / Rueda trasera

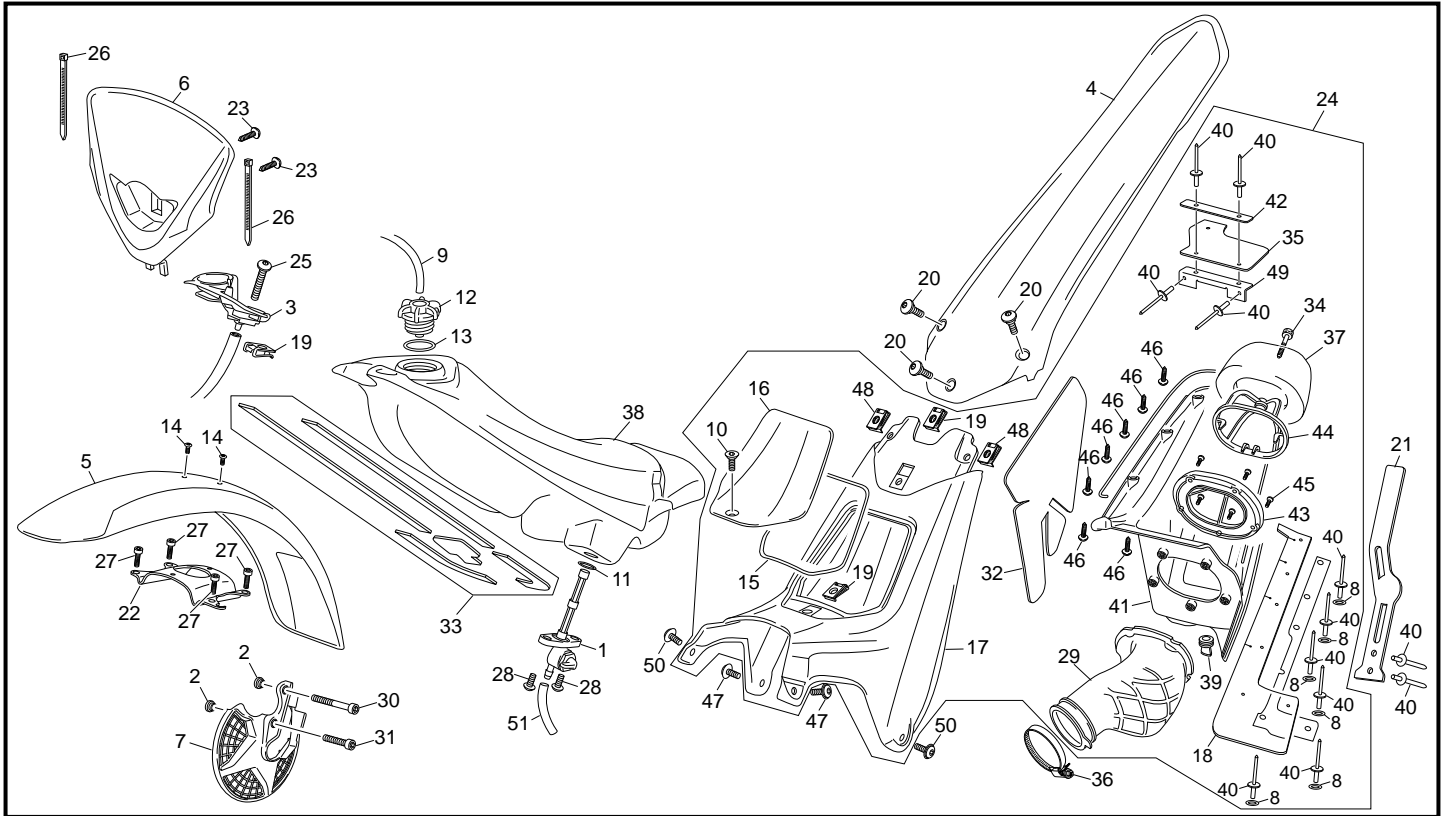


POS.	1.25	2.5	3.0	FRANÇAIS	ENGLISH	ESPAÑOL
37	R058	R058	R058	CAPUCHON VIS DE PURGE	HOOD SCREW PURGE	TAPON SANGRADOR
38	7523	7523	7523	JANTE ARRIERE ORANG BRI NERVURE 32 RAYONS LEGE	REAR RIM ORANG BRIGHT NERVE 32 R LIGTH	LLANTA TRAS. NARANJA BRI NERVADA 32 R ALIGERADA
39	5360	5360	5360	MOYEU ARRIERE BLANC F	REAR HUB WHITE F	BUJE TRASERO BLANCO F
40	R235	R235	R235	KIT ETRIER ARRIERE 2002	KIT CALIPER BACK 2002	KIT PINZA FRENO TR 2002
41	M282	M282	M282	VIS BHC 6 X 10 1093 ZN NI TR	SCREW BHC 6 X 10 ZN NI TR	TORNILLO 6 X 10 BHC ZN NI TR
42	R034	R034	R034	ATTACHE RAPIDE DE CHAINE	CONNECTING LINK	ENGANCHE CADENA
43	C390	C390	C390	PLAQUETTES FREIN ARRIERE TRIAL PAIRE	REAR PAD BRAKE TRIAL PAIR	JUEGO PASTILLAS TRASERO TRIAL
45	3391	3391	3391	RAYON DEMIE 165X3.5 NOIR COTE DISQUE	HALF SPOCKE 165X3.5 BLACK SIDE BRAKE	RADIO SEMI 165X3.5 NEGRO LADO DISCO
45	5622	5622	5622	RAYON DEMIE 165X3.5 BLANC COTE DISQUE	HALF SPOCKE 165X3.5 SIDE BRAKE WHITE	RADIO SEMI 165X3.5 BLANCO LADO DISCO
46	3392	3392	3392	RAYON L MINI 34.5X3.5 COTE DISQUE NOIR	RAYON L MINI 34.5X3.5 COTE DISQUE BLACK	RADIO L MINI 34.5X3.5 LADO DISCO NEGRO
46	5623	5623	5623	RAYON L MINI 34.5X3.5 COTE DISQUE BLANC	RAYON L MINI 34.5X3.5 COTE DISQUE WHITE	RADIO L MINI 34.5X3.5 LADO DISCO BLANCO
47	3393	3393	3393	RAYON DEMIE 175X3.5 COTE COURONE NOIR	HALF SPOCKE 175X3.5 SIDE TRANS BLACK	RADIO SEMI 175X3.5 LADO CORONA NEGRO
47	5624	5624	5624	RAYON DEMIE 175X3.5 COTE COURONE BLANC	HALF SPOCKE 175X3.5 SIDE TRANS WHITE	RADIO SEMI 175X3.5 LADO CORONA BLANCO
48	3394	3394	3394	RAYON L MINI 35.5X3.5 COTE COURONE NOIR	SPOCKE L MINI 35.5X3.5 SIDE TRANS BLACK	RADIO L MINI 35.5X3.5 LADO CORONA NEGRO
48	5625	5625	5625	RAYON L MINI 35.5X3.5 COTE COURONE BLANC	SPOCKE L MINI 35.5X3.5 SIDE TRANS WHITE	RADIO L MINI 35.5X3.5 LADO CORONA BLANCO
49	3395	3395	3395	TENDEUR RAYON AR	REAR NIPPLE SPOKE	SENSOR RADIO TRASERO
50	5326	5326	5326	KIT REPARATION PEDALE DE FREIN	KIT REPARATION REAR BRAKE LEVER	KIT REPARACION PEDAL FRENO TRASERO
51	R400	R400	R400	PURGEUR M6 ETRIER AR 02	PURGE STIRRUP SCREW 02	SANGRADOR M6 BOMBA TRAS 02
52	5931	5931	5931	ENTRETOISE INTERNE MOYEU AR TRIAL	REAR HUB SPACER REAR TRIAL	SEPARADOR INT BUJE TRA TRIAL

Guidon avec système Braktec / Handlebar with Braktec system / Manillar con sistema Braktec

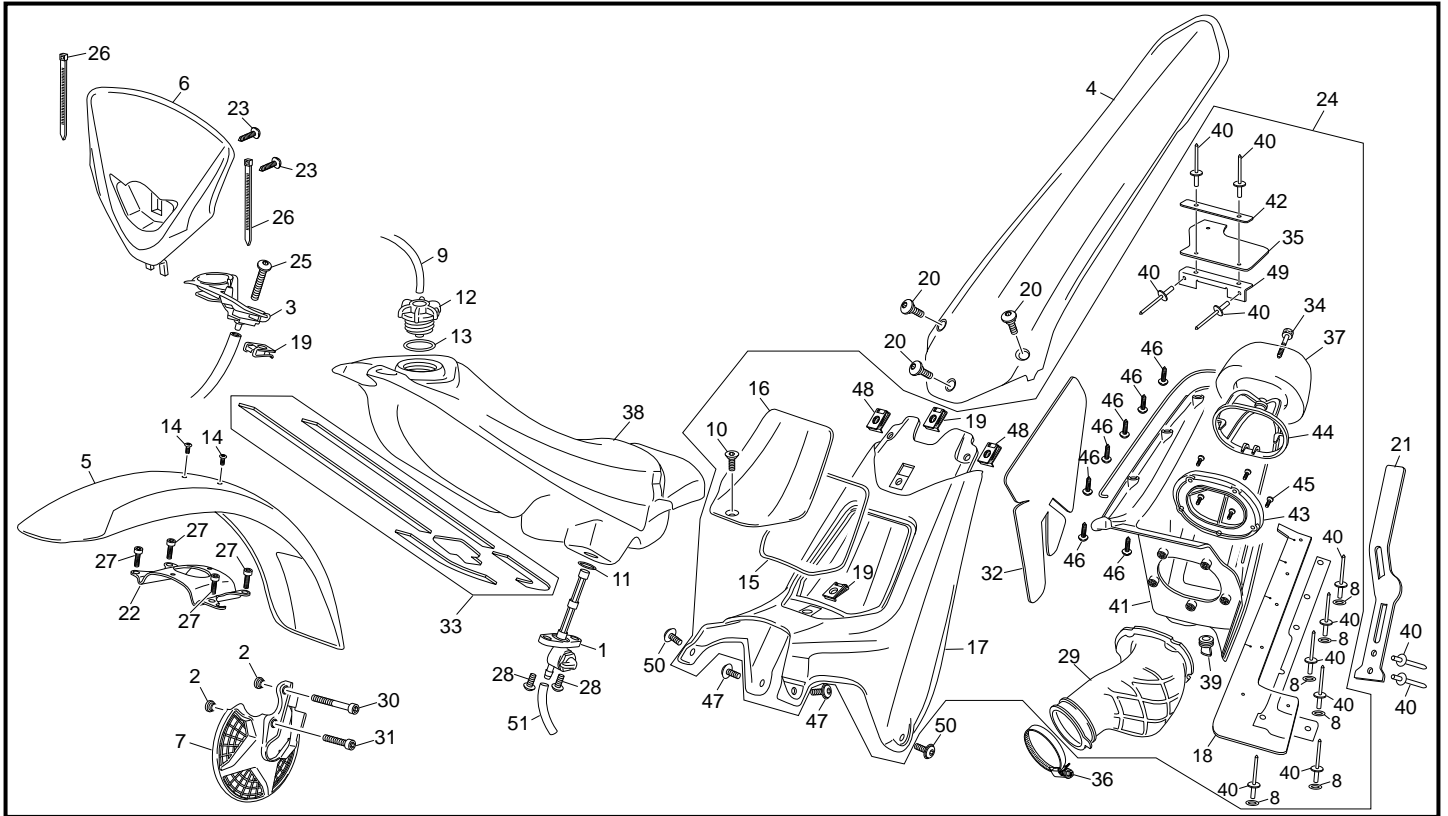


POS.	1.25	2.5	3.0	FRANÇAIS	ENGLISH	ESPAÑOL
1	5512	5512	5512	GUIDON TRIAL NOIR	HANDLEBAR TRIAL BLACK	MANILLAR TRIAL NEGRO
2	C074	C074	C074	COMMANDE DE GAZ OXIA	THROTTLE CONTROL OXIA	MANDO DE GAS OXIA
3	1662	1662	1662	POIGNEE CAOUTCHOUC PAIRE REA OXIA	GRIPS SET REA OXIA	JUEGO EMPUNADURAS REA OXIA
4	5546	5546	5546	CABLE DE GAZ KEIHIN SH/SC	THROTTLE CABLE KEIHIN SH/SC	CABLE DE GAS KEIHIN SH/SC
5	7847	7847	7847	KIT REP. PISTON EMETEUR ED TORIQUES MY 19	SET REP. DOUBLE ORING PISTON ASSY ED MY 19	KIT REP. PISTON EMPUNADOR EMB. CON TORICAS ED MY 19
6	R024	R024	R024	TORIQUE 31X1.6 EMB/CARTER	O-RING 31 X 1.6 (CLUTCH)	TORICA 31 X 1.6 EMBRA/CARTER
7	7078	7078	7078	POMPE EMB MINERAL CPL AJP	CLUTCH FRONT PUMP MINERAL ASSY AJP	CTO BOMBA EMB AJP MINERAL
8	7064	7064	7064	LEVIER EMBRAYAGE AJP POMPE PETITE ED MINERAL	LEVER CLUCH AJP LITTLE POMP ED MINERAL	MANETA EMBRAGUE AJP BOMBA PEQUEÑA ED MINERAL
9	7881	7881	7881	RECEPTEUR EMBRAYAGE ED OR COMPLETE MY 19	KIT COMPLET PISTON SLAVE ED OR MY 19	EMPUNADOR EMBRAGUE ED OR COMPLETO MY 19
10	5531	5531	5531	DURITE FREIN AVANT BRAKTEC	FRONT BRAKE HOSE BRAKTEC	LATIGUILLO FRENO DELANTERO BRAKTEC
11	7878	7878	7878	GROUPE CPL EMB EVO BRAKTEC ED/AJP 19	COMPLETE CLUTCH SET EVO BRAKTEC ED/AJP EVO 19	GRUPO EMBRAGUE COMPLETO EVO 19 BRAKTEC ED/AJP
12	R042	R042	R042	CLIP PLAQUETTES	CLIP PAD BRAKE	MUELLE PASTILLAS FRENO
13	7783	7783	7783	COUVERCLE MAITRE CYLINDRE EMB ED ORANGE TR	MASTER CYLINDER COVER LEFT ORANGE TR	TAPETA BOMBA EMBRAGUE NARANJA TR
14	5524	5524	5524	CORPS ETRIER FREIN AVANT DOUBLE PISTON BRAKTEC	BODY FRONT CALIPER 2 PISTON BRAKTEC	CUERPO PINZA FRENO DEL DOBLE PISTON BRAKTEC
15	C389	C389	C389	PLAQUETTES FREIN AVANT PAIRE 2002	FRONT PAD BRAK PAIR 2002	JUEGO PASTILLAS FRENO DEL JUEGO 2002
16	5525	5525	5525	KIT REPARATION ETRIER FREIN AV BRAKTEC 4 PIS	KIT REPARATION CALIPER 4 PISTONS BRAKTEC	KIT REPARACION PINZA BRAKTEC 4 PISTONES
17	6600	6600	6600	KIT REPARATIONJ PISTON POMPE FREIN AV BRAKTEC 17	FRONT BRAKE PISTON KIT BRAKTEC 17	KIT REPARACION PISTON BOMBA FRENO BRAKTEC 17
18	5519	5519	5519	LEVIER FREIN AVANT BRAKTEC	FRONT BRAKE LEVER BRAKTEC	MANETA FRENO DEL BRAKTEC
19	6599	6599	6599	POMPE FREIN AV CPL AV BRIDE BRAKTEC	FRONT PUMP ASSY BRAKTEC	BOMBA FRENO DEL CON BRIDA BRAKTEC
20	7782	7782	7782	COUVERCLE MAITRE CYLINDRE FREIN ORANGE TR	MASTER CYLINDER COVER RIGHT ORANGE TR	TAPETA BOMBA FRENO NARANJA TR
21	7882	7882	7882	KIT REPARATION PISTON POMPE MY 19 EMB AJP MIN. ED	PISTON CLUTCH PUMP KIT MY 19 AJP MINERAL ED	KIT REPAR. PISTON BOMBA EMBRAGUE MY 19 AJP MINERAL ED
22	R059	R059	R059	VIS BHC 6 X 16 CARROSSERIE NOIR	SCREW BHC 6 X 16 CARROSSERIE BLACK	TORNILLO 6 X 16 ESPECIAL CARROCERIA NEGRO
23	5518	5518	5518	KIT BOUCHON POMPE FREIN BRAKTEC	GROUP FRONT BRAKE PLUG BRAKTEC	KIT TAPA DEPOSITO FRENO DELANTERO BRAKTEC
24	7188	7188	7188	DURITE ED BRAKTEC M10-M10 DROIT	CLUTCH HOSE ED BRAKTEC M10-M10 RIGHT	LATIGUILLO ED BRAKTEC M10-M10 RECTO
25	2860	2860	2860	RONDELLE ALU 8X12X1	WASHER ALU 8X12X1	ARANDELA ALU 8X12X1
26	6422	6422	6422	GROUPE FREIN AVANT DOUBLE PISTON BRAKTEC	FRONT BRAKE GROUP COMPLETE BRAKTEC	CTO FRENO DELANTERO DOBLE PISTON BRAKTEC
27	7077	7077	7077	KIT RESERVOIR POMPE EMB MINERAL AJP ED	RESERVOIR KIT MINERAL AJP ED	KIT TAPA DEPOSITO BOMBA EMB MINERAL AJP ED
28	M265	M265	M265	VIS CHC 8 X 60 0084 Zn Ni Tr - TL 180°	SCREW CHC 8 X 60 Zn Ni Tr - TL 180°	TORNILLO 8 X 60 ALLEN Zn Ni Tr - TL 180°
29	M252	M252	M252	VIS CHC 6 X 20 0084 Zn Ni Tr PRE IMPREGNEE MOYEN	SCREW CHC 6 X 20 Zn Ni Tr PRE IMPREGNEE MOYEN	TORNILLO 6 X 20 DIN 912 Zn Ni Tr PRE IMPREGNEE MOYEN
30	M262	M262	M262	VIS CHC 8 X 30 0084 Zn Ni Tr - TL 180°	SCREW CHC 8 X 30 Zn Ni Tr - TL 180°	TORNILLO 8 X 30 ALLEN Zn Ni Tr - TL 180°
31	1246	1246	1246	COLLIER RISLAN 7.5X200 MOUSSE O7	COLLIER 7.5X200 O7	ABRAZADERA 7.5X200 PROTECTOR MANILLAR O7
32	7370	7370	7370	MOUSSE GUIDON TRIAL SCORPA F ORANGE	FOAM HANDLEBAR SCORPA F ORANGE	ESPUMA MANILLAR TRIAL SCORPA F NARANJA
33	R236	R236	R236	AXE ETRIER FREIN AV DL/PISTON	PIN FRONT CALIPER DL PISTON	EJE PINZA FRENO DL/PISTON



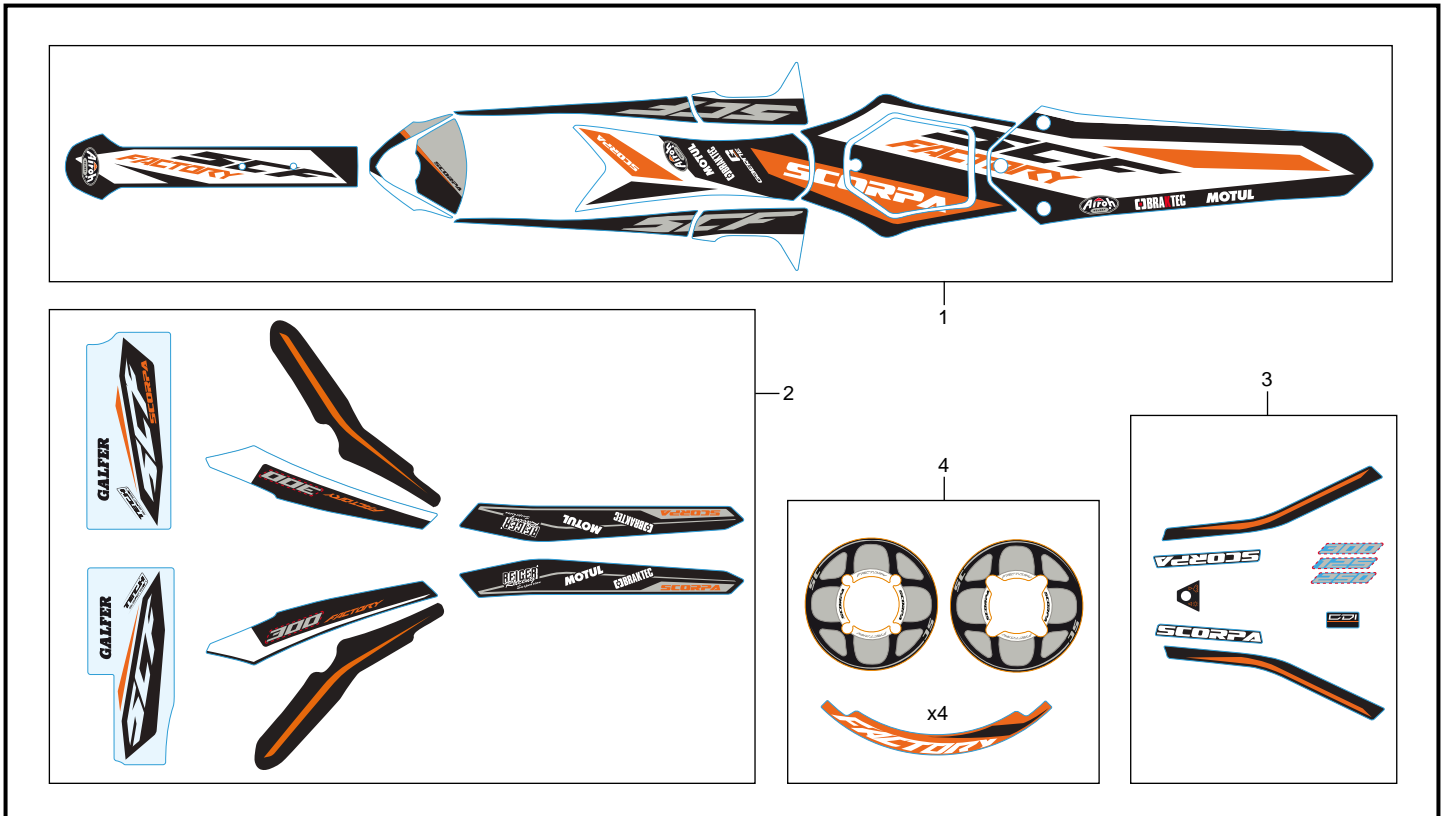
POS.	1.25	2.5	3.0	FRANÇAIS	ENGLISH	ESPAÑOL
1	C023	C023	C023	ROBINET ESSENCE	PETROL TAP	GRIFO GASOLINA
2	C031	C031	C031	ENTRETOISE PARE DISQUE	SPACER DISC COVER	SEPARADOR CUBREDISCOS DEL
3	6565	6565	6565	GUIDE CÂBLES SCORPA AV 5498	CABLES GUIDE SCORPA PRE 5498	GUIA CABLES SCORPA ANT 5498
4	7552	7552	7552	PARE BOUE ARRIERE HOMO NOIR	REAR MUDGUARD BLACK TR SCORPA	GUARDABARRO TRASERO NEGRO TR SCORPA
5	5488	5488	5488	PARE BOUE AVANT NOIR TR SCORPA	FRONT MUDGUARD BLACK TR SCORPA	GUARDABARRO DELANTERO NEGRO TR SCORPA
6	5485	5485	5485	PLAQUE PHARE NOIRE SCORPA 2015	FRONT LIGHT BLACK SCORPA 2015	PLACA FARO NEGRA SCORPA 2015
7	3377	3377	3377	PROTEGE DISQUE AV NOIR MZ	DISC COVER BLACK MZ	CUBREDISCO DELANTERO NEGRO MZ
8	5660	5660	5660	RONDELLE 4X12 0411 NOIR	WASHER 4X12 BLACK	ARANDELA 4X12 NEGRA
9	5752	5752	5752	DURITE MISE A L' AIR SCORPA LONGUE	PETROL TUBE SCORPA LONG	TUBO RESPIRADERO SCORPA LARGO
10	5581	5581	5581	VIS FHC M6X15 DIN 7991 10.9 ZN NOIR	SCREW FHC M6X15 DIN 7991 10.9 ZN BLACK	TORNILLO FHC M6X15 DIN 7991 10.9 ZN NEGRO
11	8262	8262	8262	JOINT TORIQUE 10X14X2 VITON ROBINET ESSENCE	O RING 10X14X2 VITON	TORICA 10X14X2 VITON GRIFO GASOLINA
12	8371	8371	8371	BOUCHON ESSENCE AVEC VALVE INCORPORE	PETROL CAP WITH VALVE	TAPON GASOLINA CON VALVULA INCORPORADA
13	5483	5483	5483	JOINT BOUCHON ESSENCE TRIAL SC/SH	SEAL PETROL CAP TRIAL SC/SH	JUNTA TAPON GASOLINA TRIAL SC/SH
14	2937	2937	2937	VIS BHC 5 X8 ISO 7380 ZN NI TR	SCREW BHC 5 X8 ZN NI TR	TORNILLO UL5 5 X 8 ISO 7380 ZN NI TR
15	5502	5502	5502	GOME ETANCHEITE COUVERCLE FILTRE SCORPA 4X492	SEALING RUBBER COVER FILTER BOX SCORPA 4X492	GOMA ESTANQUEIDAD TAPA FILTRO SCORPA 4X492
16	5499	5499	5499	COUVERCLE FILTRE SCORPA	AIR FILTER BOX COVER SCORPA	TAPA FILTRO SCORPA
17	5580	5580	5580	SUPPORT BOITIER FILTRE SCORPA 2015	AIR BOX HOLDER SCORPA 2015	SOPORTE CAJA FILTRO SCORPA 2015
18	5484	5484	5484	BAVETTE AM SC/SH	REAR SHOCK COVER SC/SH	PROTECTOR AMORTIGUADOR SC/SH
19	M308	M308	M308	ECROU CLIP M6 0500500400	NUT CLIP M6	TUERCA CLIP M6
20	3953	3953	3953	VIS CARROSSERIE 6 X 12 ALU NOIR	SCREW BHC 6 X 12 CARROSSERIE ALU BLACK	TORNILLO CARROCERIA 6 X 12 ALU NEGRO
21	7257	7257	7257	FLEJE MOUSSE DE FILTRE	FOAM FILTER FLEJE	FLEJE ESPUMA FILTRO
22	5643	5643	5643	ARCEAU FOURCHE MARZOCCHI NOIR SCORPA 2015	FRONT MURGAR HOLDER MARZOCCHI BLACK SCORPA 2015	PUENTE HORQUILLA MARZOCCHI NEGRO SCORPA 2015
23	2939	2939	2939	VIS TOLE 3.9 X 19	SCREW TOLE 3.9 X 19	TORNILLO DIN 7981 3.9 X 19
24	6849	6849	6849	BOITE FILTRE COMPLETE SCORPA 2018	BODY FILTER COMPLET SCORPA 2018	CAJA FILTRO COMPLETA SCORPA 2018
25	M343	M343	M343	VIS BHC 6 X 35 1093	SCREW BHC 6 X 35 1093	TORNILLO BHC 6 X 35 1093
26	M331	M331	M331	COLLIER RISLANI 100 X 2.5	PLASTIC CLAMPS 100 X 2.5	ABRAZADERA 100X 2.5
27	2938	2938	2938	VIS CHC 6 X 12 0084 ZN NI TR - TL 180°	SCREW CHC 6 X 12 ZN NI TR - TL 180°	TORNILLO 6 X 12 DIN 912 ZN NI TR - TL 180°
28	M282	M282	M282	VIS BHC 6 X 10 1093 ZN NI TR	SCREW BHC 6 X 10 ZN NI TR	TORNILLO 6 X 10 BHC ZN NI TR
29	5503	5503	5503	RACCORD FILTRE CARBU SC/SH	MANIFOLD FILTER/CARBU SC/SH	TOBERA FILTRO CARBU SC/SH
30	M265	M265	M265	VIS CHC 8 X 60 0084 ZN NI TR - TL 180°	SCREW CHC 8 X 60 ZN NI TR - TL 180°	TORNILLO 8 X 60 ALLEN ZN NI TR - TL 180°
31	M262	M262	M262	VIS CHC 8 X 30 0084 ZN NI TR - TL 180°	SCREW CHC 8 X 30 ZN NI TR - TL 180°	TORNILLO 8 X 30 ALLEN ZN NI TR - TL 180°
32	5482	5482	5482	ADHESIF THERMIQUE BOITE FILTRE SCORPA	SET THERMIC STICKER FILTER BOX SCORPA	PROTECTOR TERMICO CAJA DE FILTRO SCORPA
33	5672	5672	5672	ADHESIF PROT RESERVOIR KIT SC/SH	PROTECTOR TANK STICKER KIT SC/SH	ADHESIVO PROTECCION DEPOSITO KIT SC/SH
34	5505	5505	5505	AXE FILTRE SC/SH ZINK	AXLE FILTER SC/SH ZINK	EJE FILTRO SC/SH ZINCADO
35	5507	5507	5507	BAVETTE INTERIEUR FILTRE TRANSLUCIDE SC/SH	TRANSPARENT INSIDE FILTER COVER SC/SH	PROTECTOR INTERIOR FILTRO TRASPARENTE SC/SH

Plastiques / Plastics / Plásticos



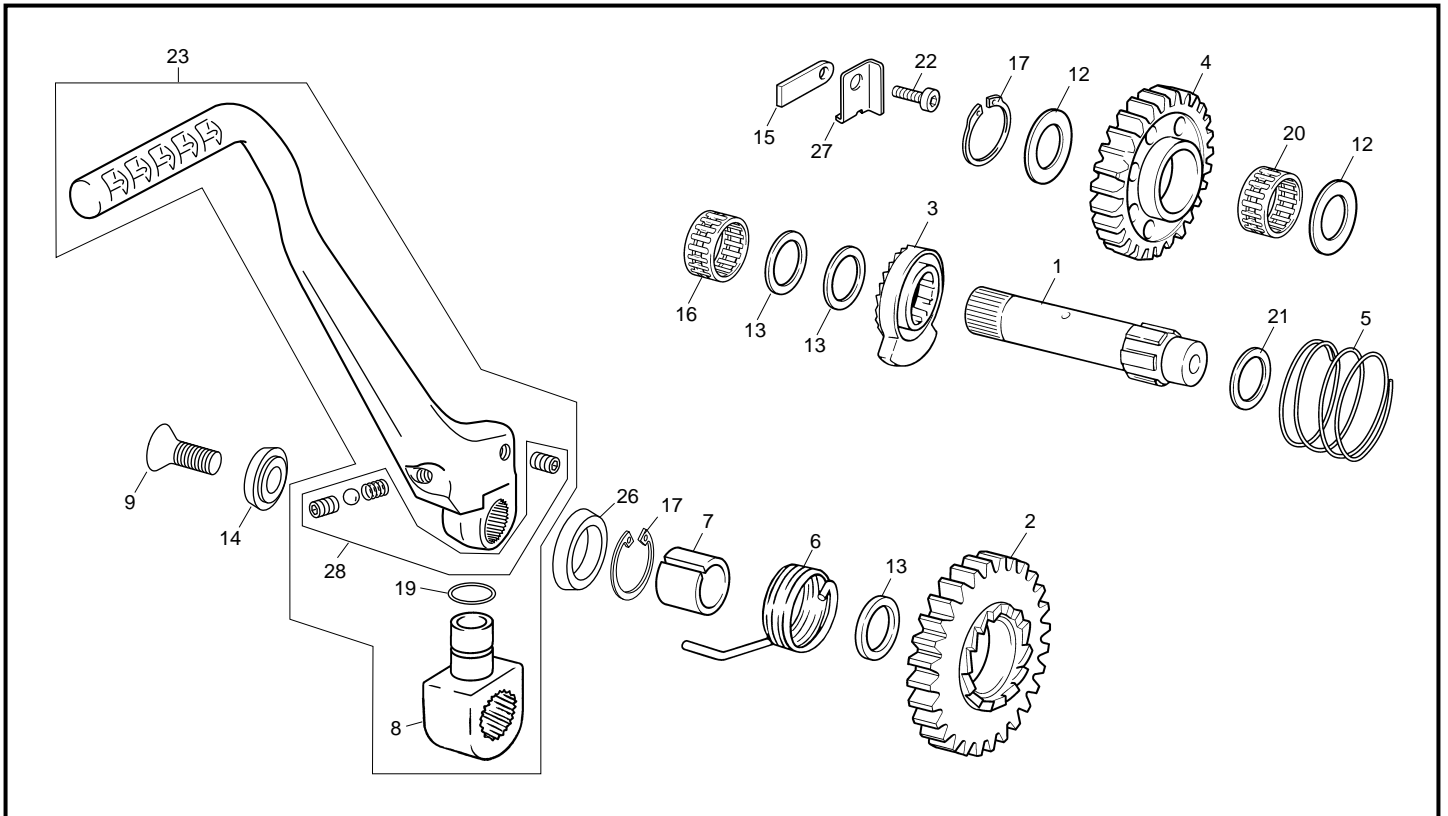
POS.	1.25	2.5	3.0	FRANÇAIS	ENGLISH	ESPAÑOL
36	0595	0595	0595	COLLIER KC060 MANCHON CORP INJECTION END 450 40-60	COLLAR KC060 HOSE BODY INJECTION END 450 40-60	BRIDA TOBERA KC060 CUERPO INYECCION END 450 40-60
37	5578	5578	5578	MOUSSE DE FILTRE SC/SH 2015	FOAM FILTER SC/SH 2015	ESPUMA FILTRO SC/SH 2015
38	5486	5486	5486	RESERVOIR TRIAL SCORPA	PETROL TANK TRIAL SCORPA	DEPOSITO TRIAL SCORPA
39	1167	1167	1167	VALVE CAISSE FILTRE	VALVE BOX FILTER	VALVULA CAJA FILTRO
40	5645	5645	5645	RIVET 4 X 10 LARGE NOIR	RIVET 4 X 10 LARGE BLACK	REMACHE 4 X 10 ALA ANCHA NEGRO
41	5500	5500	5500	BOITE FILTRE SCORPA	AIR FILTER BOX SCORPA	CAJA DE FILTRO SCORPA
42	6135	6135	6135	CHAPE DE FIXATION CAUCHOUX BOITE FILTRE	FIXING PLATE RUBBER AIR BOX	CHAPA SUJECIÓN GOMA CAJA FILTRO
43	5501	5501	5501	SUPPORT FILTRE TRIAL SC/SH	SUPPORT AIR FILTER BOX TRIAL SC/SH	SOPORTE FILTRO TRIAL SC/SH
44	5504	5504	5504	GRILLE MOUSE FILTRE TRIAL SC/SH	SUPPORT FOAM FILTER TRIAL SC/SH	REJILLA ESPUMA FILTRO TRIAL SC/SH
45	5582	5582	5582	VIS FHC M5X16 DIN 7991 10.9 ZN NI TR	SCREW FHC M5X15 DIN 7991 10.9 ZN NI TR	TORNILLO FHC M5X15 DIN 7991 10.9 ZN NI TR
46	5635	5635	5635	VIS 3,5 X 12 BOITE FILTRE	SCREW 3,5 X 12 FILTER BOX	TORNILLO 3,5 X 12 CAJA DE FILTRO
47	4524	4524	4524	VIS BHC 6 X 12 ISO 7380 10.9 ZN NOIR CARROSSERIE	SCREW BHC 6 X 12 ISO 7380 10.9 ZN BLACK BODY	TORNILLO BHC 6 X 12 ISO 7380 10.9 ZN NEGRO CARROCERIA
48	5771	5771	5771	ECROU CLIP M6 NOIR	NUT CLIP M6 BLACK	TUERCA CLIP M6 NEGRO
49	6131	6131	6131	SUPPORT CAUTCHOUC BOITE FILTRE	AIR BOX RUBBER SUPPORT	SOPORTE GOMA CAJA FILTRO
50	5527	5527	5527	VIS BHC 6 X 16 CARROSSERIE NOIR	SCREW BHC 6 X 16 CARROSSERIE BLACK	TORNILLO 6 X 16 ESPECIAL CARROCERIA NEGRO
51	M012	M012	M012	DURITE ESSENCE CARBURATEUR	RUBBER TUBE PETROL	TUBO GASOLINA CARBURADOR

Adhesif / Stiker / Adhesivo



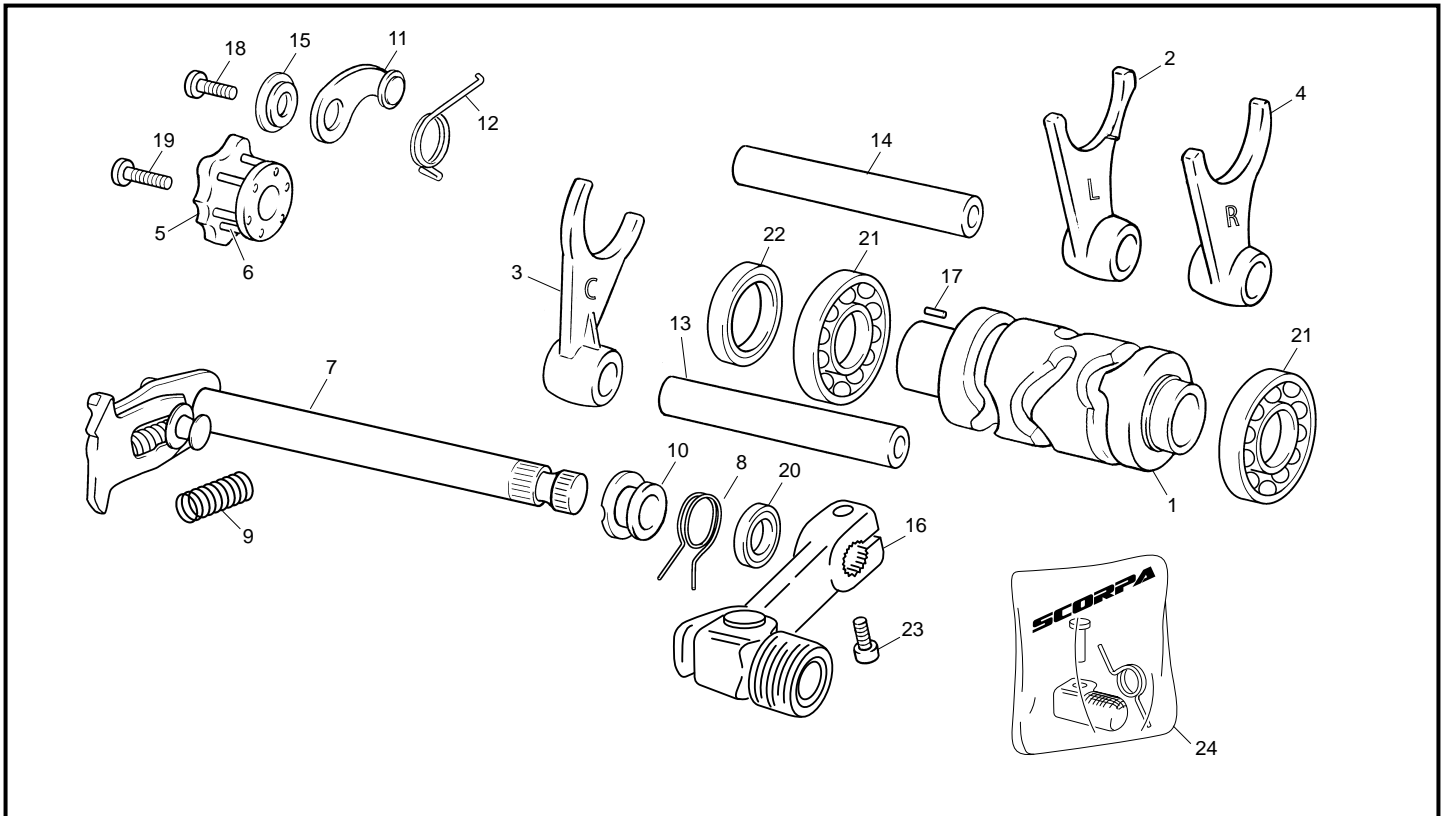
POS.	1.25	2.5	3.0	FRANÇAIS	ENGLISH	ESPAÑOL
1	8061	8061	8061	KIT BLISTER ADH DECORATION TR 20 SC F	KIT BLISTER STICKERS DECO TR 20 SC F	KIT BLISTER ADH DECORACION TR 20 SC F
2	8062	8062	8062	KIT BLISTER ADH PROTECTION TR 20 SC F	KIT BLISTER STICKERS PROTECTION TR 20 SC F	KIT BLISTER ADH PROTECCION TR 20 SC F
3	8063	8063	8063	KIT BLISTER ADH ACCESSOIRES TR 20 SC F	KIT BLISTER STICKERS ACCESSORY TR 20 SC F	KIT BLISTER ADH ACCESORIOS TR 20 SC F
4	8065	8065	8065	ADH COURONE JEU+PROT JANTES(4) SCORPA 20 F	SET STICKERS SPROKET+RIMS(4) SCORPA 20 F	ADH CORONA JUEGO+PROT. LLANTES(4) 20 SC F

Lanceur / Kickstarter assembly / Pedal arranque



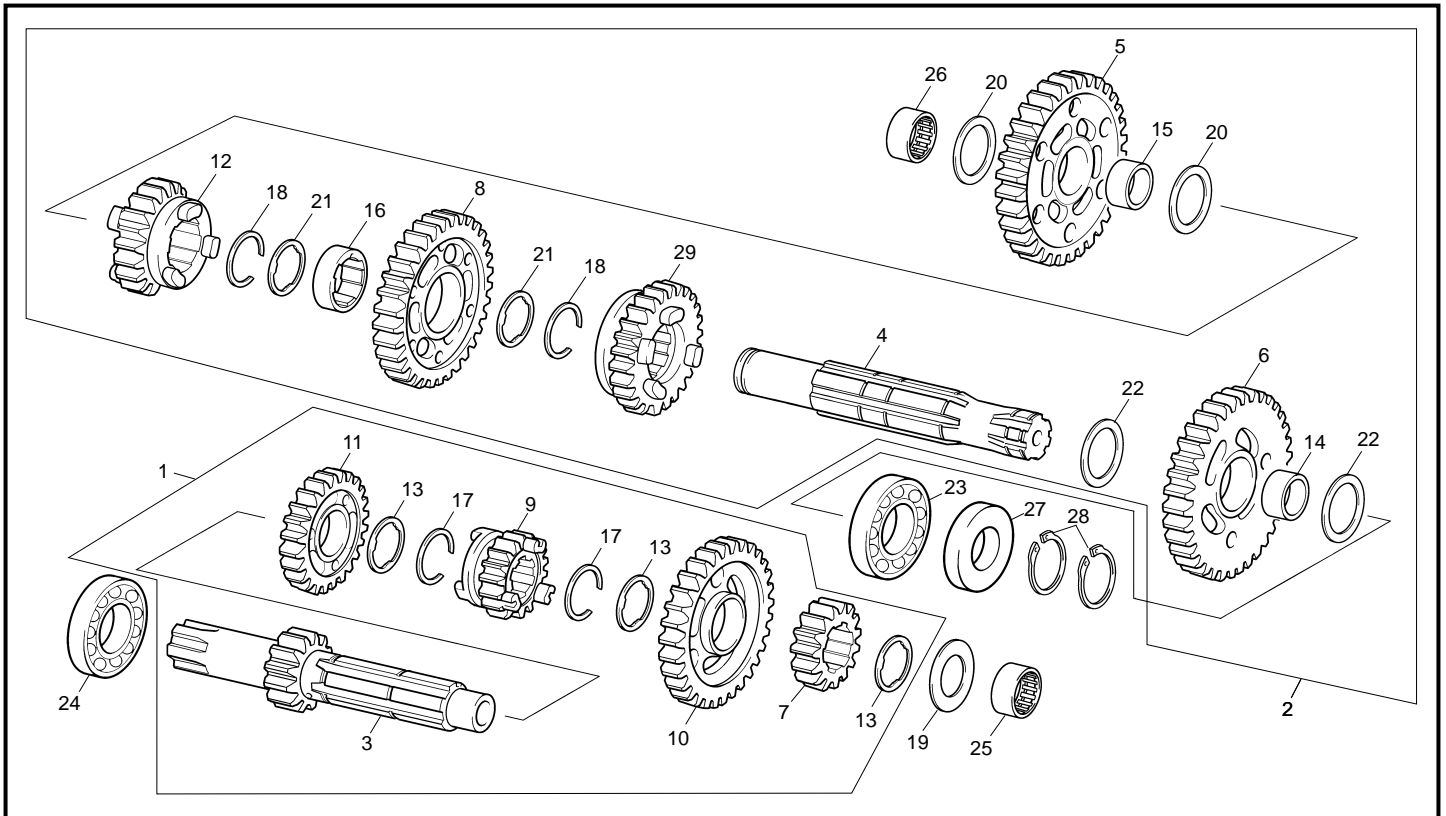
POS.	1.25	2.5	3.0	FRANÇAIS	ENGLISH	ESPAÑOL
1	8588	8588	8588	ARBRE LANCEUR V2	KICKSTART AXLE V2	EJE ARRANQUE V2
2	M151	M151	M151	PIGNON LIBRE DENT DE LOUP	KICKSTART PINION	PINON TRINQUETE
3	M152	M152	M152	COULISSEAU DENT DE LOUP	FREE RATCHET KICKSTART	TRINQUETE DESPLAZABLE
4	M153	M153	M153	ROUE INTERMEDIAIRE	IDLE GEAR KICKSTART	RUEDA INTERMEDIA
5	M155	M155	M155	RESSORT COULISSEAU D DE L	COMPRESSION SPRING	MUELLE TRINQUETE
6	M156	M156	M156	RESSORT DE RAPPEL KICK	KICK STARTING SPRING	MUELLE DE RETORNO
7	M157	M157	M157	DOUILLE CENTRAGE RESSORT	SPACER SPRING KICK START	CASQUILLO CENTRAJE MUELLE
8	3215	3215	3215	NOIX DE KICK WI	KICKSTART BOTTOM WI	MUNEQUILLA PEDAL ARRANQUE WI
9	6593	6593	6593	VIS FHC 8 X 20 1089 ZN NI TR - TL 180°	SCREW FHC 8 X 20 ZN NI TR - TL 180°	TORNILLO AVELLANADO M 8 X 20 ZN NI TR - TL 180°
12	M163	M163	M163	RONDELLE INA AS 17X30X1	WASHER INA AS 17X30X1	ARANDELA INA AS 17X30X1
13	M164	M164	M164	RONDELLE ARBRE 17X25X1	WASHER 17X25X1	ARANDELA EJE ARRANQUE 17X25X1
14	6057	6057	6057	RONDELLE SERRAGE KICK	KICKSTART TIGHTENING	ARANDELA APRIETE PEDAL ARRANQUE
15	4157	4157	4157	BUTEE COULISSEAU D DE L LONG	TOP RATCHET LONG	TOPE TRINQUETE DESPLAZABLE LARGO
16	M167	M167	M167	CAGE AIGUILLE PIGNON DENT LOUP K17X21X10	NEEDLE BEARING K17X21X10	JAULA AGUJAS PINON TRINQUETE K17X21X10
17	M171	M171	M171	SEGMENT ARRET DIAN 17	RETAINING RING17	SIGER DIAMETRO 17
19	M168	M168	M168	JOINT TORIQUE 14 X18X2	O RING 14X18X2	TORICA 14X18X2
20	M077	M077	M077	DOUILLE AIGUILLE HK1712B	NEEDLE BEARING 17X23X12	CASQUILLO DE AGUJAS 17X23X12
21	M165	M165	M165	RONDELLE ARBRE 16X25X1	WASHER 16X25X1	ARANDELA EJE ARRANQUE 16X25X1
22	M251	M251	M251	VIS CHC 6 X 16 0084 ZN NI TR	SCREW CHC 6 X 16 ZN NI TR	TORNILLO 6 X 16 DIN 912 ZN NI TR
23	4539	4539	4539	KICK COMPLET WI LARGE	KICK START WI LONG	PEDAL ARRANQUE WI LARGO
26	6056	6056	6056	ENTRETOISE KICK	KICKSTART BUSHING	CASQUILLO PEDAL ARRANQUE
27	6396	6396	6396	DEFLECTEUR HUILE ED	OIL SPOILER ED	DEFLECTOR ACEITE ED
28	7242	7242	7242	KIT REPARATION LEVIER KICK	KIT REPARATION LEVER KICK	KIT REPARACION PEDAL ARRANQUE

Selecteur / Gear selector group / Selector cambio



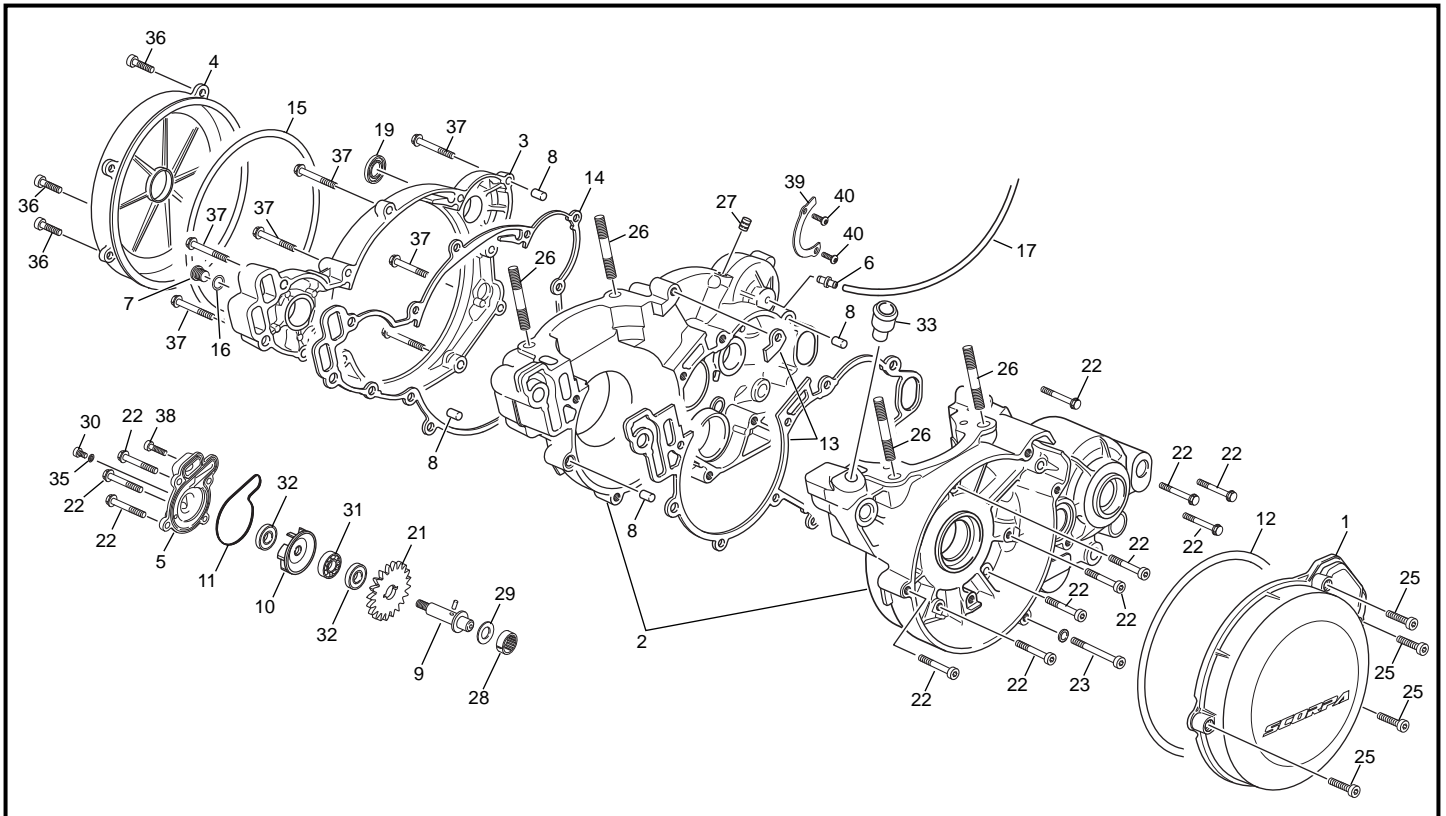
POS.	1.25	2.5	3.0	FRANÇAIS	ENGLISH	ESPAÑOL
1	M100	M100	M100	TAMBOUR DE SELECTION	SELECTOR DRUM	DESMODROMICO SELECTOR
2	M102	M102	M102	FOURCHETTE L	L FORK	HORQUILLA L
3	M103	M103	M103	FOURCHETTE C	C FORK	HORQUILLA C
4	M104	M104	M104	FOURCHETTE R	R FORK	HORQUILLA R
5	M105	M105	M105	ETOILE DE SELECTION CPL	INDEX SHIM	ESTRELLA SELECTOR
6	M106	M106	M106	PION ETOILE INA NRA 3X17.8	NEEDLE PIN NRA3X17.8	AGUJA DE LA ESTRELLA INA NRA3X17.8
7	M107	M107	M107	ARBRE DE SELECTEUR CPL	SHIFT SHAFT WITH PAWL ASSY	ARBOL SELECTOR
8	M110	M110	M110	RESSORT RAPPEL SELECTION	SPRING SHIFT LEVER	MUELLE RETORNO SELECTOR
9	M111	M111	M111	RESSORT RAPPEL COULISSEAU	SPRING COULISSEAU	MUELLE RETORNO ESCORPION
10	M113	M113	M113	DOUILLE CENTRAGE RESSORT RAPPEL	SPACER SPRING SHIFT LEVER	CASQUILLO CENTRAJE MUELLE RETORNO
11	M114	M114	M114	LEVIER DE VERROUILLAGE CPL	INDEX LEVER ASSY	PALANCA DE CIERRE SELECTOR
12	M117	M117	M117	RESSORT DE RAPPEL LEVIER VERROUIL	INDEX SPRING	MUELLE RETORNO PALANCA DE CIERRE
13	M118	M118	M118	AXE DE FOURCHETTE COURT	FORK SPINDLE	EJE DE HORQUILLA CORTO
14	M119	M119	M119	AXE DE FOURCHETTE LONG	FORK SPINDLE LONG	EJE DE HORQUILLA LARGO
15	M121	M121	M121	DOUILLE LEVIER VERROUILLAGE	SPACER INDEX LEVER	CASQUILLO PALANCA CIERRE
16	5611	5611	5611	SELECTEUR EXTERIEUR NOIRE F	SHIFT LEVER ASSY BLACK F	PALANCA DE CAMBIO NEGRA F
17	M122	M122	M122	AIGUILLE CLAVETAGE ETOILE NRA3X11.8	NEEDLE PIN NRA3X11.8	AGUJA POSICIONADO ESTRELLA NR3X11.8
18	M251	M251	M251	VIS CHC 6 X 16 0084 ZN NI TR	SCREW CHC 6 X 16 ZN NI TR	TORNILLO 6 X 16 DIN 912 ZN NI TR
19	M253	M253	M253	VIS CHC 6 X 30 0084 PRE IMPREGNEE MOYEN	SCREW CHC 6 X 30 PRE IMPREGNEE MOYEN	TORNILLO 6 X 30 DIN 912 PRE IMPREGNEE MOYEN
20	M126	M126	M126	JOINT LEVRE 12 X 19 X 5 DL	OIL SEAL 12X19X5	RETEN12X19X5 DL
21	M123	M123	M123	ROULEMENT 25X37X7 R61805	BEARING 25X37X7 R61805	COJINETE 25X37X7 R61805
22	M124	M124	M124	JOINT LEVRE G28X37X4	OIL SEAL G28X37X4	RETEN G28X37X4
23	M252	M252	M252	VIS CHC 6 X 20 0084 ZN NI TR PRE IMPREGNEE MOYEN	SCREW CHC 6 X 20 ZN NI TR PRE IMPREGNEE MOYEN	TORNILLO 6 X 20 DIN 912 ZN NI TR PRE IMPREGNEE MOYEN
24	5325	5325	5325	KIT REPERATION SELECTEUR	KIT SELECTOR GEAR	KIT REPARACION PEDAL CAMBIO

Boite a vitesses / Gear set / Cambio



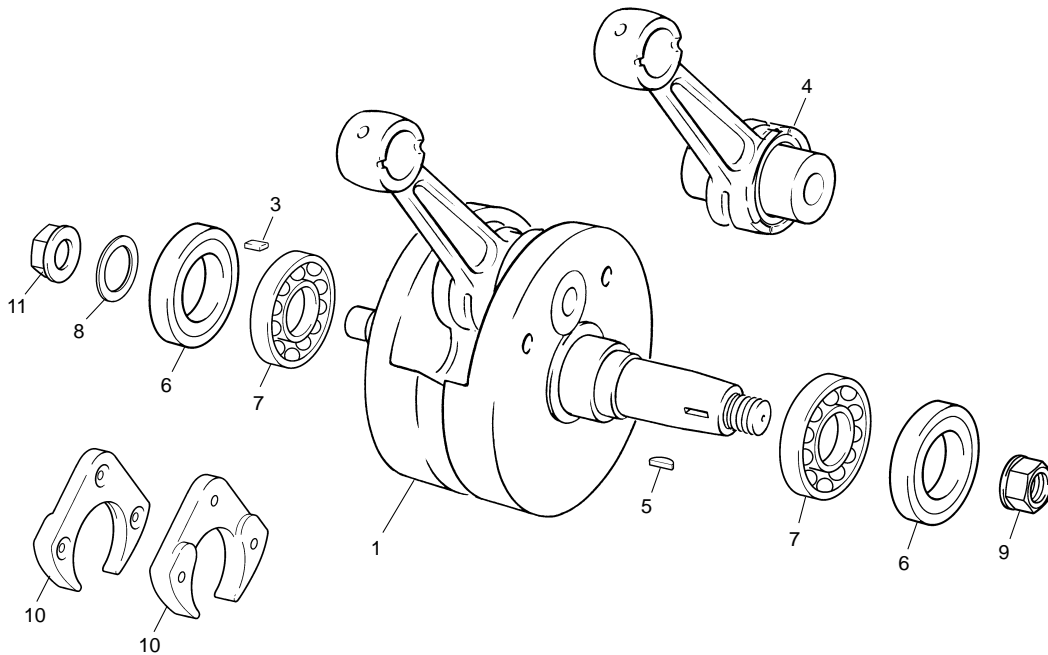
POS.	1.25	2.5	3.0	FRANÇAIS	ENGLISH	ESPAÑOL
1	6356	6356	6356	ENSEMBLE ARBRE PRIMAIRE ED	GROUP FIRST SHAFT WITH PINION ED	CONJUNTO EJE PRIMARIO CAMBIO ED
2	M391	M391	M391	ENSEMBLE ARBRE SECONDAIRE 03	GROUP SECOND SHAFT WITH PINION 03	ENSEMBLE ARBRE SECONDAIRE 03
3	6562	6562	6562	ARBRE PRIMAIRE ET PIGNON DE 1ERE ED AVEC ENTRETOI	CLUTCH SHAFT ED	EJE PRIMARIO CON PIÑON PRIMERA ED CON CASQ.
4	M054	M054	M054	ARBRE SECONDAIRE	MAINSHAFT	EJE SECUNDARIO
5	M367	M367	M367	PIGNON SECONDAIRE 1ERE EVOL 2	PINION SECOND 1ERE EVOL 2	PINION SECOND 1ERE EVOL 2
6	M056	M056	M056	ROUE LIBRE DE 2EME	FREE PINION 2 EME	CORONA DE 2A
7	M057	M057	M057	PIGNON FIXE DE 2 EME	GEAR PINION 2EME	PINON DE 2A
8	M058	M058	M058	ROUE LIBRE DE 3 EME	FREE PINION 3 EME	CORONA DE 3A
9	M059	M059	M059	PIGNON BALADEUR DE 3EME	GEAR PINION 3 EME	PINON DESPLAZABLE 3A
10	M061	M061	M061	ROUE LIBRE DE 5 EME	GEAR PINION 5 EME	CORONA DE 5A
11	M062	M062	M062	PIGNON LIBRE DE 4 EME	FREE PINION 4 EME	PINON DE 4A
12	M063	M063	M063	ROUE BALADEUSE DE 4 EME	FREE PINION 4 EME	CORONA DESPLAZABLE DE 4A
13	M064	M064	M064	RONDILLE CRENEAUX 20X24X1	GEAR WASHER 20X24X1	ARANDELA ESTRIADA 20X24X1
14	M065	M065	M065	DOUILLE ANTI FRICTION 1ERE	BUSH 1ERE	CASQUILLO ANTI-FRICCION 1A
15	M066	M066	M066	DOUILLE ANTI FRICTION 2EME	BUSH 2 EME	CASQUILLO ANTI-FRICCION 2A
16	M067	M067	M067	DOUILLE ANTI FRICTION 3EME	BUSH 3 EME	CASQUILLO ANTI-FRICCION 3A
17	M068	M068	M068	SEGMENT ARRET SW 20	RETAINING SW 20	SEEGER SW 20
18	M069	M069	M069	SEGMENT ARRET SW 22	RETAINING SW 22	SIGER SW 22
19	M070	M070	M070	RONDILLE INA ARBRE PRIMAIRE 15X28X1	THRUST WASHER 15X28X1	ARANDELLA INA EJE PRIMARIO 15X28X1
20	M071	M071	M071	RONDILLE ARBRE SECONDAIRE 17X27X1	MAINSHAFT WASHER 17X27X1	ARANDELLA EJE SECUNDARIO 17X27X1
21	M072	M072	M072	RONDILLE CRENEAU ARBRE SECONDAIRE 22X28X1	WASHER 22X28X1	ARANDELLA ESTRIADA EJE SECUNDARIO 22X28X1
22	M073	M073	M073	RONDILLE ARBRE SECONDAIRE 20X27X1	MAINSHAFT WASHER 20X27X1	ARANDELA EJE SECUNDARIO 20X27X1
23	M074	M074	M074	ROULEMENT 20X47X14	BEARING 20X47X14	COJINETE 20X47X14
24	M075	M075	M075	ROULEMENT 20X47X14 2RSH	BEARING 20X47X14 2RSH	COJINETE 20X47X14 2RSH
25	M076	M076	M076	DOUILLE AIGUILLE 15X21X12	NEEDLE BEARING 15X21X12	CASQUILLO DE AGUJAS 15X21X12
26	M077	M077	M077	DOUILLE AIGUILLE HK1712B	NEEDLE BEARING 17X23X12	CASQUILLO DE AGUJAS 17X23X12
27	M078	M078	M078	JOINT LEVRE DOUBLE 20X30X7	OIL SEAL 20X30X7	RETEN DOBLE LABIO 20X30X7
28	M350	M350	M350	SEGMENT ARRET WR 20 SORTIE BOITE	SEGMENT ARRET WR 20	SEGMENT ARRET WR 20
29	M060	M060	M060	PIGNON BALADEUR DE 5 EME	FREE PINION 5 EME	PINON LIBRE 5A

Groupe carters / Crankcase assembly / Grupo cárter



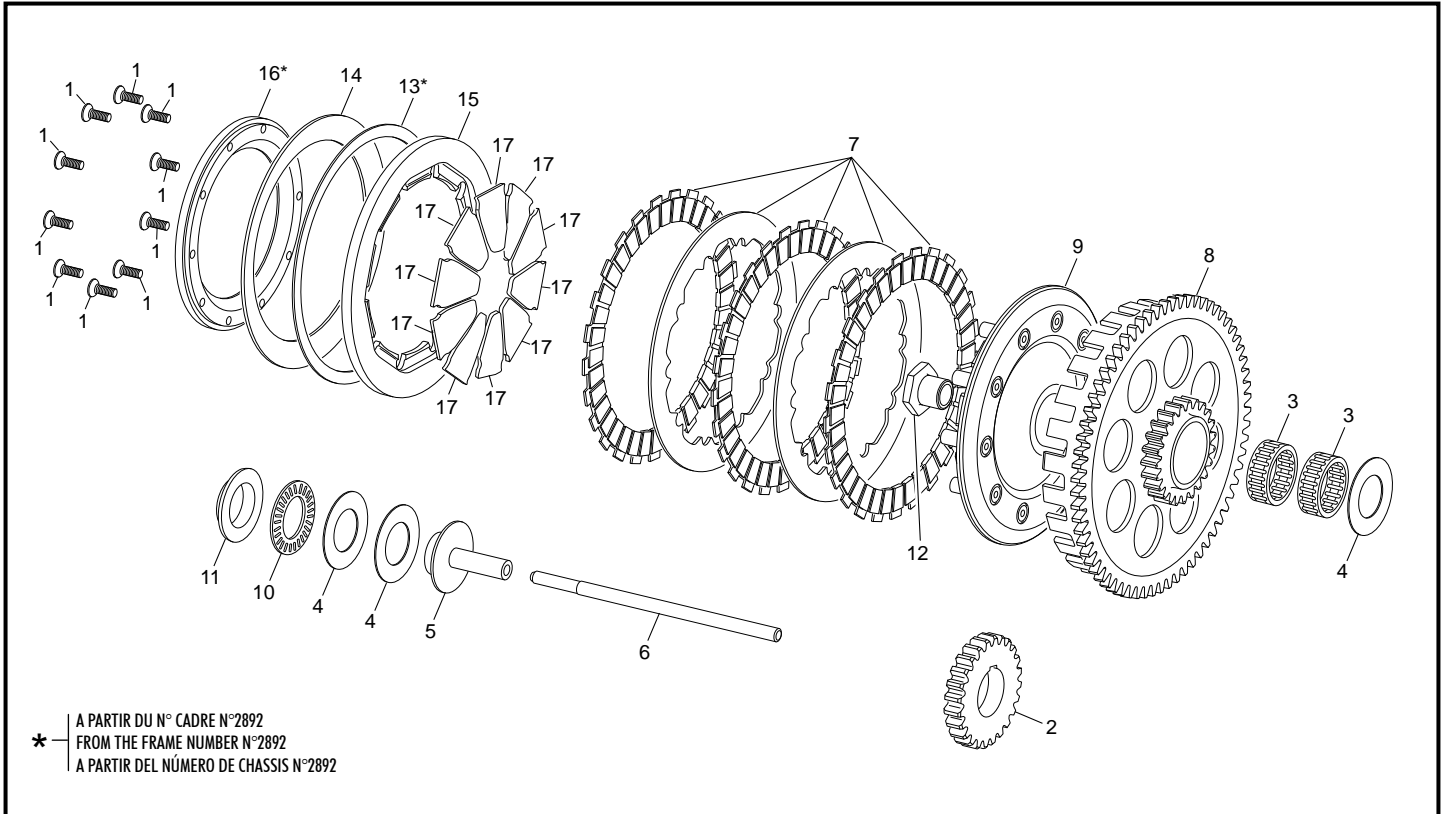
POS.	1.25	2.5	3.0	FRANÇAIS	ENGLISH	ESPAÑOL
1	5464	5464	5464	CARTER ALLUMAGE TR SCORPA	INIGNITION COVER TR SCORPA	TAPA ENCENDIDO TR SCORPA
2	8079	7124	7124	GP CARTERS CENTRAUX PRE-ASSEMBLE CL ED T SAV	CRANCKCASES SET PRE-ASSEMBLED LS ED TR	CARTERS CENTRALES PREMONTADOS CL ED TR
3	7125	7125	7125	CARTER LATERAL DROITE MANGANESE TR 18	BOTTOM CLUTCH COVER MANGANESE TR 18	CARTER LATERAL DERECHO MANGANESE TR 18
4	8395	8395	8395	COUVERCLE EMBRAYAGE TR GRIS MANGANESE	CLUTCH COVER TR MANGANESE	TAPETA EMBRAGUE TR MANGANESE
5	7127	7127	7127	COUVERCLE POMPE EAU MANGANESE TR 18	WATHER POMP COVER MANGANESE TR 18	TAPA BOMBA AGUA MANGANESE TR 18
6	M016	M016	M016	RENIFLARD CARTER CENTRAL	AIR VENT CRANCKCASES	DEPRESOR CARTERS
7	8374	8374	8374	BOUCHON VIDA/REMP AIMANT 2T 4T TRIAL	MAGNETIC OIL CAP 2T 4T TRIAL	TAPON VACIA/LLEN IMANTADO 2T 4T TRIAL
8	M022	M022	M022	DOUILLE CENTRAGE CARTER	DOUILLE CENTRAGE CARTER	CASQUILLO CENTRADOR CARTER
9	M363	M363	M363	AXE POMPE EAU EVOLUTION 3	WATER PUMP AXELE EVOLUTION 3	EJE BOMBA AGUA EVOLUTION 3
10	M351	M351	M351	TURBINE POMPE EAU EVOLUTION2	WATERPUMP TURBINE EVOLUTION2	TURBINA BOMBA AGUA EVOLUTION2
11	3133	3133	3133	JOINT COUVERCLE POMPE EAU TR 11	RING WATER PUMP COVER TR 11	JUNTA TAPA BOMBA AGUA TR 11
12	3158	3158	3158	JOINT TORIQUE CARTER ALLUMAGE 161X2 TR 11	O-RING IGNITION COVER 160X2 TR 11	JUNTA TORICA TAPA ENCENDIDO 160X2 TR 11
13	5115	3134	3134	JOINT CARTER CENTRA	CENTRAL CRANCKCASE GASKET	JUNTA CARTER CENTRAL
14	3135	3135	3135	JOINT CARTER LATERAL TR 11	CLUTCH GASKET TR 11	JUNTA CARTER LATERAL TR 11
15	3141	3141	3141	JOINT TORIQUE 160X1.5	O-RING 160X1.5	JUNTA TORICA 160X1.5
16	M162	M162	M162	JOINT TORIQUE 10X2.5 BOUCHON HUILE	O-RING 10X2.5 OIL PLUG	TORICA 10X2.5 TAPON ACEITE
17	M017	M017	M017	DURITE RENIFLARD 3X5	TUBE AIR VENT CRANCKCASES 3X5	TUBO DEPRESOR 3X5
19	3128	3128	3128	JOINT LEVRE DOUBLE 17X24X5	OIL SEAL 17X24X5	RETEN DOBLE LABIO 17X24X5
21	7239	4920	4920	PIGNON Z18 POMPE EAU NYLON 125 2T	PINION Z18 WATER PUMP NYLON FCC	PIGNON Z18 BOMBA AGUA NYLON FCC
22	0549	0549	0549	VIS TH EP 6 X 45	SREW TH EP 6 X 45	TORNILLO TH EP 6 X 45
23	3235	3235	3235	VIS TH EP 6 X 50 ZN NI TR	SCREW TH EP M6 X50 ZN NI TR	TORNILLO TH EP M6 X50 ZN NI TR
25	3269	3269	3269	VIS CHC 5 X 20 0084	SCREW CHC 5 X 20	TORNILLO 5 X 20 ALLEN
26	M291	M291	M291	GOUJON DE CYLINDRE 8 X 46	STUD CYLINDRE 8 X 46	ESPARRAGO CILINDRO 8 X 46
27	2385	2385	2385	BOUCHON CANALISATION HUILE 6X6	LUBRICATION CAP 6X6	TAPA CANALIZACION 6X6
28	M029	M029	M029	ROULEMENT AIGUILLE POMPE EAU HK0808	WATER PUMP NEEDLE BEARING HK 0808	COJINETE AGUJAS BOMBA AGUA HK 0808
29	M049	M049	M049	RONDELLE CALAGE 8 X 14 X 0.5	WASHER 8X14X0.5	ARANDELA ACERADA 8 X 14 X 0.5
30	3566	3566	3566	VIS CHC M5X10 DIN 912 8.8 ZB	SCREW CHC M5X10 DIN 912 8.8 ZB	TORNILLO CHC M5X10 DIN 912 8.8 ZB
31	M027	M027	M027	ROULEMENT A BILLE 608.2RSH	BALL BEARING 608.2RSH	COJINETE DE RODAMIENTO 608.2RSH
32	M031	M031	M031	JOINT LEVRE POMPE A EAU 8X20X5DL	WATER PUMP SEAL 8X20X5DL	RETEN BOMBA AGUA 8X20X5DL
33	3143	3143	3143	RACCORD DURITE CARTER RADIATEUR 11	WATER CONEXION 11	CONECTOR TUBO AGUA CARTER A RADIADOR 11
35	M277	M277	M277	RONDELLE ALU M5 0463 5X10	GASKET RING X5	ARANDELA ALUMINIO X5
36	0550	0550	0550	VIS TH EP 6 X 55	SREW TH EP 6 X 55	TORNILLO TH EP 6 X 55
37	0970	0970	0970	VIS TH EP 6 X 25	SCREW TH EP M6 X 25	TORNILLO TH EP M6 X 25
38	0546	0546	0546	VIS TH EP 6 X 20	SREW TH EP 6 X 20	TORNILLO TH EP 6 X 20
39	2027	2027	2027	TOLE SUPPORTE ROULEMENT	STEEL SUPPORT BEARING	PLANCHA SOPORTE COJINETE
40	M278	M278	M278	VIS BHC 5 X10 1093 ZN NI TR TUFLOK180	SCREW BHC 5X10 ZN NI TR TUFLOK 180	TORNILLO 5 X 10 ULS ZN NI TR TUFLOK 180

Villebrequin assemble / Crankshaft assembly / Cigüeñal biela



POS.	1.25	2.5	3.0	FRANÇAIS	ENGLISH	ESPAÑOL
1	4906	7464	7464	VILEBREQUIN COMPLET 125/200CC CL	CRANCK SHAFT 125/200CC LS	CIGUENAL COMPLETO 125/200CC CL
3	M204	M204	M204	CLAVETTE PIGNON PRIMAIRE	WOODRUFF KEY PRIMARY DRIVE	CHAVETA PINON PRIMARIA
4	R212	R021	R021	KIT BIELLE 125/200	ROD KIT 125/200	KIT BIELA 125/200
5	M023	M023	M023	CLAVETTE DEMI LUNE VILO	WOODRUFF KEY	CHAVETA ENCENDIDO
6	M032	M032	M032	JOINT LEVRE VILO 25X40X7DL	CRANKSHAFT SEAL 25X40X7DL	RETEN CIGUENAL 25X40X7DL
7	M028	M028	M028	ROULEMENT BILLE VILO 6206.2RSTN9/C4	CRANKSHAFT BEARING 6206.2RSTN9 C4	COJINETE CIGUENAL 6206.2RSTN9 C4
8	M206	M206	M206	RONDELLE BELLEVILLE 14.2X28X1.5 REF0887	SPRING WASHER	ARANDELA CONICA 14.2,28X1.5
9	M295	M295	M295	ECROU 14 X 125	HEX NUT M14 X 125	TUERCA M14 X 125
10	C309	C309	C309	BOUCHON PLASTIC DE VILO TRIAL	HANDCRAFT PLASTIC PLUG TRIAL	TAPON INTERNO DE CIGÜENAL TRIAL
11	3144	3144	3144	ECROU 14 X 125 H 7.5 TR11	HEX NUT M14 X 125 H 7.5 TR11	TUERCA M14 X 125 H 7.5 TR11

Embrayage / Clutch / Embrague

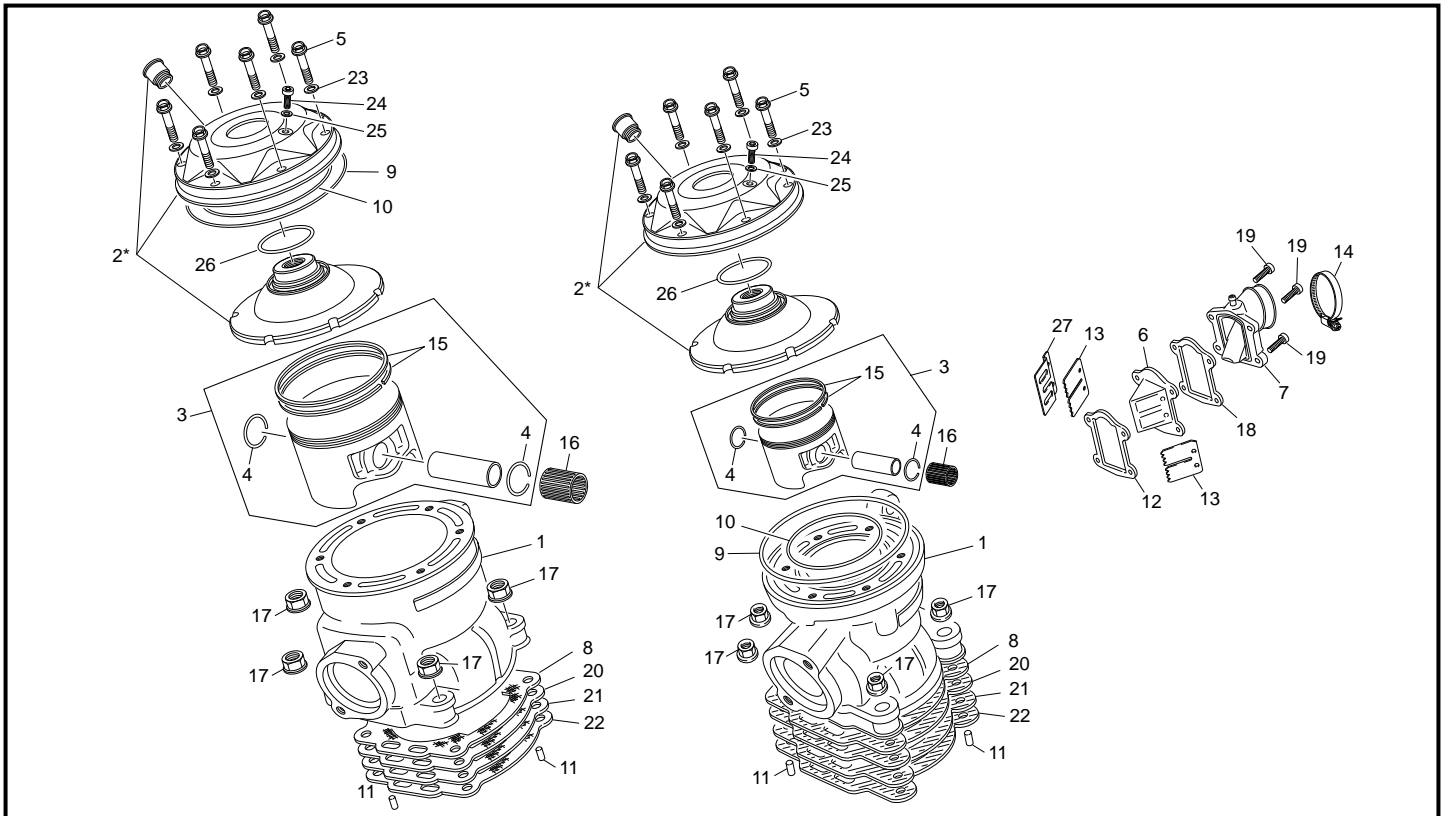


* A PARTIR DU N° CADRE N°2892
 FROM THE FRAME NUMBER N°2892
 A PARTIR DEL NÚMERO DE CHASSIS N°2892

POS.	1.25	2.5	3.0	FRANÇAIS	ENGLISH	ESPAÑOL
1	6362	6362	6362	VIS TETE FRAISEE TORX A4 M4X12	SCREW TORX A4 M4X12	TORNILLO AVELLANADO TORX A4 M4X12
2	7241	6369	6369	PIGNON PRIMAIRE ED	PRIMARY TRANSMISSION GEAR ED	PIÑON PRIMARIA ED
3	6403	6403	6403	CAGE AIGUILLE K25X29X10 SORT (0-2)	BEARING K25X29X10 SORT (0-2)	CAJA AGUJAS K25X29X10 SORT (0-2)
4	6358	6358	6358	RONDELLE DE CALAGE NOIX	WASHER	ARANDELA DE GALGADO NUEZ
5	6354	6354	6354	POUSSOIR AXIAL ED	CLUTH PIN ED	EMPUJADOR AXIAL ED
6	6345	6345	6345	TIGE POUSEE ED	CLUTCH PUSH ROD ED	VARILLA EMBRAGUE ED
7	6342	6342	6342	PAQUET DISQUES ED	CLUTCH DISK ASSY ED	PAQUETE DISCOS ED
8	7240	6348	6348	CLOCHE EMBRAYAGE ED	CLUTCH BASKET ED	CAMPANA EMBRAGUE ED
9	6360	7537	7537	NOIX EMB ASSEMBLEE	CLUTCH HUB ASSY	CONJUNTO CUBO EMBRAGUE
10	6355	6355	6355	BUTEE AIGUILLE AXK-2035	BEARING AXK-2035	CASQUILLO AGUJAS AXK-2035
11	6340	6340	6340	COUPELLE D' ACCIONEMENT ED	ACTUATING CUP ED	CORONA DE ACCIONAMIENTO
12	6353	6353	6353	VIS NOIX EMBRAYAGE ED	CLUTCH HUB SCREW ED	TORNILLO BUJE EMBRAGUE ED
13	7787	7787	7787	RONDELLE DE PRECHARGE 2.4	PRECHARGE WASHER 2.4	ARANDELA DE PRECARGA 2.4
13	8267*	8267*	8267*	RONDELLE DE PRECHARGE 2	PRECHARGE WASHER 2	ARANDELA DE PRECARGA 2
14	7786	7786	7786	RESSORT DIAPHRAGME ED V2	DIAPHRAGM SPRING ED V2	MUELLE DIAFRAGMA ED V2
15	6346	6346	6346	PLATEAU PRESSEUR ED	CLUTCH PRESSURE PLATE ED	PLATO EMPUJADOR ED
16	6343	6899	6899	COUPELLE RESSORT ED	SPRING RETAINER ED	RETENEDOR MUELLE ED
16	8356*	8356*	8356*	COUPELLE RESSORT 6 ED V2	SPRING RETAINER 6 ED V2	RETENEDOR MUELLE 6 ED V2
17	7788	7788	7788	LEVIER D' ACCIONEMENT ED 1.65	CLUTCH LEVER ED 1.65	LEVA DE ACCIONAMIENTO ED 1.65

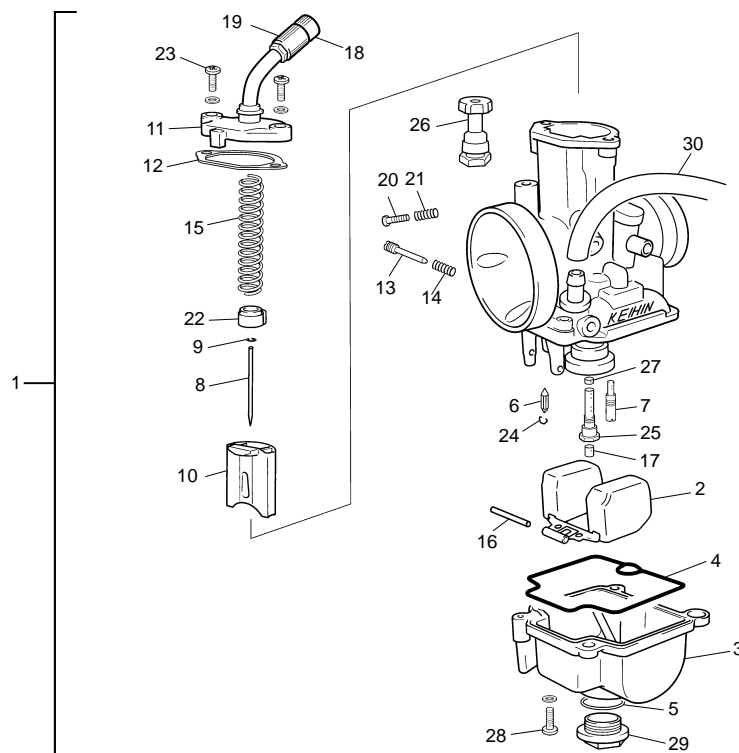
* A PARTIR DU N° CADRE N°2892
 FROM THE FRAME NUMBER N°2892
 A PARTIR DEL NÚMERO DE CHASSIS N°2892

Cylindre / Cylinder / Cilindro



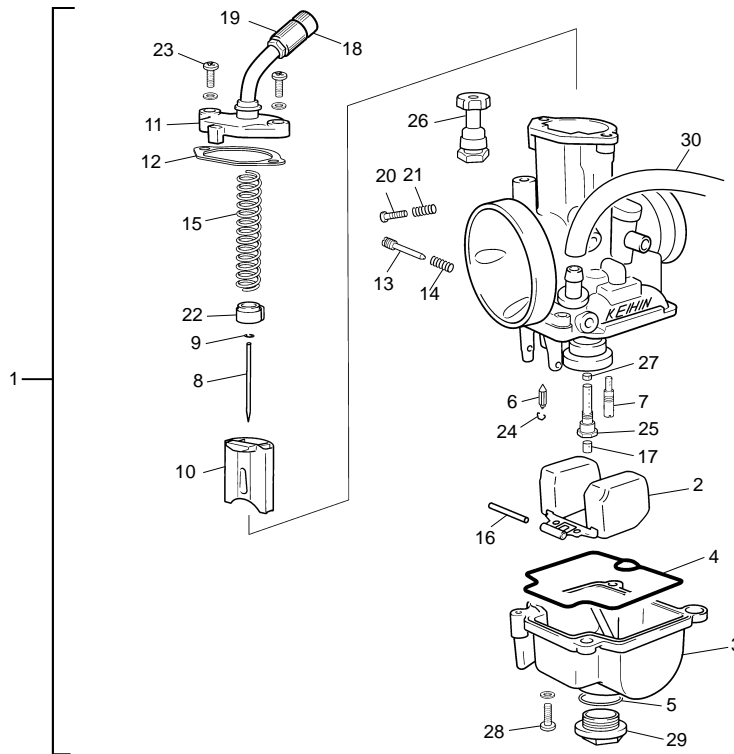
POS.	1.25	2.5	3.0	FRANÇAIS	ENGLISH	ESPAÑOL
1	8383	3123	3217	CYLINDRE 125 20 TR	CILYNDER 125 20 TR	CILINDRO 125 20 TR
2	8223	7711	7377	CULASSE COMPLETE 1.25 TR 20 ORANGE OXIA	CYLINDER HEAD SET 1.25 TR 20 ORANGE OXIA	CULATA COMPLETA 1.25 TR 20 NARANJA OXIA
3	8044	M009	3339	PISTON CPL "A"	PISTON CPL "A"	PISTON CPL "A"
3	8452	M586	----	PISTON CPL "B"	PISTON CPL "B"	PISTON CPL "B"
3	8453	M587	----	PISTON CPL "C"	PISTON CPL "C"	PISTON CPL "C"
3	8454			PISTON CPL "D"	PISTON CPL "D"	PISTON CPL "D"
4	7224	M013	M013	CIRCLIPS PISTON SE/ST	PISTON SIRCLIPS SE/ST	SERCLIP PISTON SE/ST
5	0547	0547	0547	VIS TH EP 6 X 30	SCREW TH EP 6 X 30	TORNILLO TH EP 6 X 30
6	3125	3125	3125	BOITE A CLAPETS VERTICAL 2011	REEDS CASE VERTICAL 2011	CAJA DE LAMINAS VERTICAL 2011
7	4997	4996	4997	PIPE ADMISSION 2014 CARB 28	ADMISSION PIPE 2014 CARB 28	TOBERA ADMISION 2014 CARB 28
8	5111	3025	3025	JOINT EMBASE SILICONE CYLINDRE 0.5 125CC LC	CILYNDER GASKET SILICON 0.5 125CC LS	JUNTA CILINDRO SILICONA 0.5 125CC CL
9	M038	M038	M038	JOINT TORIQUE CULASSE 105 X 109 X 2 VITON	CILYNDER HEAD O-RING 105 X 109 X 2 VITON	JUNTA TORICA CULATA 105 X 109 X 2 VITON
10	3399	M039	M039	JOINT TORIQUE CULASSE 64 X 2 VITON	CILYNDER HEAD O-RING 64 X 2 VITON	JUNTA TORICA CULATA 64 X 2 VITON
11	0200	0200	0200	AIGUILLE 4X9.8 NRB	NEEDL 4X9.8 NRB	AGUJA 4X9.8 NRB
12	3136	3136	3136	JOINT BOITE CLAPET FOAMED 1.2 TR	REEDS CASE GASKET FOAMED 1.2 TR	JUNTA CAJA LAMINAS FOAMED 1.2 TR
13	R022	R022	R022	CLAPET RECHANGE UNITEE	REED VALVE SET	LAMINAS RECAMBIO UNIT
14	3287	3287	3287	COLLIER MIKALOR 44	COLLARD MIKALOR 44	ABRAZADERA MIKALOR 44
15	8411	R442	3219	JEU SEGMENTS PISTON 125CC 20	RINGS PISTON KIT 125CC 20	JUEGO AROS PISTON 125CC 20
16	8394	M248	M248	CAGE AIGUILLE PISTON 125 KBK15X20X19.8 TR 20	NEEDLE BEARING KBK 125 15X20X19.8 TR 20	JAULA AGUJAS PISTON 125 KBK15X20X19.8 TR 20
17	M272	M272	M272	ECROU EMBASE X8 0692	COLLAR HEX NUT M8	TUERCA CON VALONA M8
18	5932	5932	5932	JOINT PIPE ADMISSION FOAMED 1.10	REEDS CASE GASKET FOAMED 1.10	JUNTA TOBERA FOAMED 1.10
19	3269	3269	3269	VIS CHC 5 X 20 0084	SCREW CHC 5 X 20	TORNILLO 5 X 20 ALLEN
20	5114	3189	3189	JOINT EMBASE CYLINDRE 125CC LC 0.2MM	CILYNDER GASKET 125CC LS 0.2MM	JUNTA CILINDRO 125CC CL 0.2MM
21	5113	3190	3190	JOINT EMBASE CYLINDRE 125CC LC 0.3MM	CILYNDER GASKET 125CC LS 0.3MM	JUNTA CILINDRO 125CC CL 0.3MM
22	5112	3191	3191	JOINT EMBASE CYLINDRE 125CC LC 0.4MM	CILYNDER GASKET 125CC LS 0.4MM	JUNTA CILINDRO 125CC CL 0.4MM
23	2390	2390	2390	RONDELLE CUIVRE 6 X 12 X 1.5 UNITAIRE	WASHER COPPER 6 X 12 X1.5 UNITARY	ARANDELA COBRE 6 X 12 X 1.5 UNIDAD
24	M288	M288	M288	VIS CHC 5X6	SCREW CHC 5X6	TORNILLO CHC 5X6
25	M277	M277	M277	RONDELLE ALU M5X10	RONDELLE ALU M5X10	ARANDELA ALUMINIO M5X10
26	6581	6581	6581	JOINT TORIQUE CULASSE VITON 31 X 2.5 (BOUGIE)	CILYNDER HEAD O-RING VITON31 X 2.5 (SPARK PLUG)	JUNTA TORICA CULATA VITON 31 X 2.5 (BUJIA)
27	3994	3994	3994	BUTEE BOITE A CLAPETS VERTICAL 2011	STOPER REED VALVE CASE VERTICAL 2011	TOPE CAJA DE LAMINAS VERTICAL 2011

Carburateur / Carburetor / Carburador KEIHIN



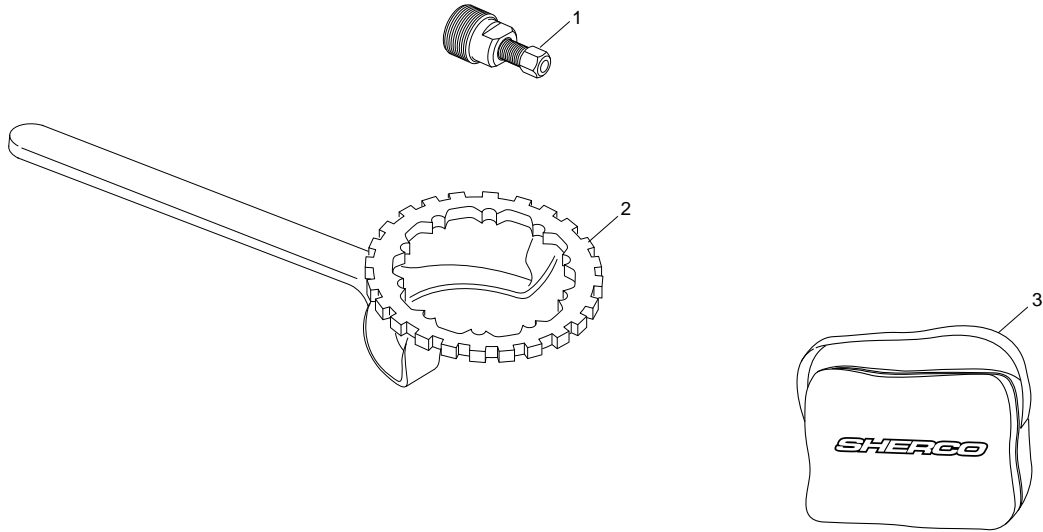
POS.	1.25	2.5	3.0	FRANÇAIS	ENGLISH	ESPAÑOL
1	1123/3	1123/3	1123/3	CARBUTATEUR KEIHIN TRIAL 2T V3 3.5	CARBURETOR KEIHIN TRIAL 2T V3 3.5	CARBURADOR KEIHIN TRIAL 2T V3 3.5
2	1330	1330	1330	FLOTEUR DE CARBU KEIHIN	CARBURATOR FLOTEUR KEIHIN	BOYA CARBU KEIHIN
3	1331	1331	1331	CUVE CARBURATEUR KEIHIN	CARBURATOR CUVE KEIHIN	CUBA CARBURADOR KEIHIN
4	1332	1332	1332	JOINT CUVE CARBURETOR KEHIN	FLOT CHAMBER GASKET	JUNTA CUBA CARBURADOR KEIHIN
5	1334	1334	1334	JOINT TORIQUE CUVE	O-RING FLOAT	TORICA CUBETA
6	1335	1335	1335	POINTEAU CARBU KEIHIN	POINTEAU CARBU KEIHIN	VALVOLA AGUJA KEIHIN
7	1327	1327	1327	GICLEUR RALENTI 50 KEIHIN	PILOT JET 50 KEIHIN	CHICLE RALENTI 50 KEIHIN
7	1336	1336	1336	GICLEUR RALENTI 45 KEIHIN	PILOT JET 45 KEIHIN	CHICLE RALENTI 45KEIHIN
7	1337	1337	1337	GICLEUR RALENTI 52 KEIHIN	PILOT JET 52 KEIHIN	CHICLE RALENTI 52 KEIHIN
7	1338	1338	1338	GICLEUR RALENTI 55 KEIHIN	PILOT JET 55 KEIHIN	CHICLE RALENTI 55 KEIHIN
7	1339	1339	1339	GICLEUR RALENTI 48 KEIHIN	PILOT JET 48 KEIHIN	CHICLE RALENTI 48 KEIHIN
7	1403	1403	1403	GICLEUR RALENTI 42 KEIHIN	PILOT JET 42 KEIHIN	CHICLE RALENTI 42 KEIHIN
8	1340	1340	1340	AIGUILLE CARBU KEIHIN JFH	AIGUILLE CARBU JFH	AGUJA CARBU JFH
8	1341	1341	1341	AIGUILLE CARBU KEIHIN JJH	AIGUILLE CARBU JJH	AGUJA CARBU JJH
9	1342	1342	1342	CLIP AIGUILLE CARBU KEIHIN	CLIP AIGUILLE CARBU KEIHIN	CLIP AGUJA CARBU KEIHIN
10	1326	1326	1326	BOISSEAU KEIHIN 3,5 TR	CARBURATOR VALVE KEIHIN 3,5 TR	CAMPANA KEIHIN 3,5 TR
10	1343	1343	1343	BOISSEAU KEIHIN 4,0 TR	CARBURATOR VALVE KEIHIN 4,0 TR	CAMPANA KEIHIN 4.0 TR
11	1344	1344	1344	COUVERCLE BOISSEAU KEIHIN	CARBURATOR COVER KEIHIN	TAPA CARBURADOR KEIHIN
12	1345	1345	1345	COUVERCLE BOISSEAU GASKET KEIHIN	JOINT COVER KEIHIN	JUNTA TAPA CARBURADOR KEIHIN
13	1346	1346	1346	VIS REGUL ESSENCE CARBU KEIHIN	SCREW REGUL PETROL CARBU KEIHIN	TORNILLO AIRE KEIHIN
14	1347	1347	1347	RESSORT VIS ESSENCE CARBU KEIHIN	SPRING SCREW REGUL PETROL CARBU KEIHIN	MUELLE TORNILLO AIRE KEIHIN
15	1348	1348	1348	RESSORT CARBURATEUR 82 X 12,8 SPS	SPRING CARBURETOR 82 X 12,8 SPS	MUELLE CARBURADOR 82 X 12,8 SPS
16	1351	1351	1351	AXE BALANCIER FLOTEUR CARBU KEIHIN	PIN BALANCIER FLOTEUR CARBU KEIHIN	EJE BALANCIER FLOTADOR CARBU KEIHIN
17	1247	1247	1247	GICLEUR PRINCIPAL 125 KEIHIN	MAIN JET 125 KEIHIN	CHICLE PRINCIPAL 125 KEIHIN
17	1248	1248	1248	GICLEUR PRINCIPAL 122 KEIHIN	MAIN JET 122 KEIHIN	CHICLE PRINCIPAL 122 KEIHIN
17	1352	1352	1352	GICLEUR PRINCIPAL 118 KEIHIN	MAIN JET 118 KEIHIN	CHICLE PRINCIPAL 118 KEIHIN
17	1353	1353	1353	GICLEUR PRINCIPAL 120 KEIHIN	MAIN JET 120 KEIHIN	CHICLE PRINCIPAL 120 KEIHIN
17	1402	1402	1402	GICLEUR PRINCIPAL 115 KEIHIN	MAIN JET 115 KEIHIN	CHICLE PRINCIPAL 115 KEIHIN
18	1354	1354	1354	ADAPTE CÂBLE KEIHIN	CABLE ADJUSTING BOLT KEIHIN	AJUSTE CABLE GAS KEIHIN
19	1355	1355	1355	ECROU ADAPTE CÂBLE KEIHIN	NUT CABLE ADJUSTING BOLT KEIHIN	TUERCA AJUSTE CABLE GAS KEIHIN
20	1356	1356	1356	VIS REGUL GAS CARBU KEIHIN	SCREW REGUL GAS KEIHIN	TORNILLO RALENTI KEIHIN
21	1357	1357	1357	RESSORT VIS REGUL GAS CARBU KEIHIN	SPRING SCREW REGUL GAS KEIHIN	MUELLE TORNILLO RALENTI KEIHIN
22	1358	1358	1358	DOUILLE NYLON RESOT GAZ	FOOTREST NYLON GAS	CASQUILLO NYLON MUELLE KEIHIN
23	1359	1359	1359	VIS M4x14 FIXATION COUVERCLE BOISSEUR KEIHIN	SCREW M4X14 COVER KEIHIN	TOR. M4X14 FIJACION TAPA CAMPANA KEIHIN
24	1349	1349	1349	CLIP VALVE KEIHIN	CLIP FLOAT VALVE KEIHIN	CLIP VALVULA KEIHIN

Carburateur / Carburetor / Carburador KEIHIN



POS.	1.25	2.5	3.0	FRANÇAIS	ENGLISH	ESPAÑOL
25	1360	1360	1360	NEEDLE JET KEIHIN	NEEDLE JET KEIHIN	NEEDLE JET KEIHIN
26	1329	1329	1329	GROUPE STARTER KEIHIN	CHOKE SET REPLACEMENT KEIHIN	CTO STARTER RECAMBIO KEIHIN
27	1361	1361	1361	NEEDLE JET HOLDER KEIHIN	NEEDLE JET HOLDER KEIHIN	NEEDLE JET HOLDER KEIHIN
28	1350	1350	1350	VIS M4X16 FIXATION CUVE KEIHIN	SCREW M4X16 WFLOT KHEIHIN	TORNILLO M4X16 FIJACION CUBA KEIHIN
29	1332	1332	1332	JOINT CUVE CARBURETOR KEHIN	FLOT CHAMBER GASKET	JUNTA CUBA CARBURADOR KEIHIN
30	M012	M012	M012	DURITE ESSENCE CARBURATEUR	RUBBER TUBE PETROL	TUBO GASOLINA CARBURADOR

Outillage / Tools / Utilajes



POS.	1.25	2.5	3.0	FRANÇAIS	ENGLISH	ESPAÑOL
1	R075	R075	R075	OUTIL EXTRACTEUR ROTOR ALLUMAGE	PULLER FOR FLYWEEL	EXTRACTOR ENCENDIDO
2	R172	R172	R172	OUTIL EMBRAYAGE DIAFRAGME	SPECIAL CLUTCH STRIP TOOL DIAFRAGME	UTIL EMBRAGUE SURFLEX DIAFRAGMA
3	R240	R240	R240	BOURSE A OUTILS 2T TRIAL	TOOLS BAG 2T TRIAL	BOLSA HERRAMIENTAS 2T TRIAL

SCORPA



PLAY WITH GRAVITY

2020

SCORPA
www.scorpa.fr