

 **SCORPA**



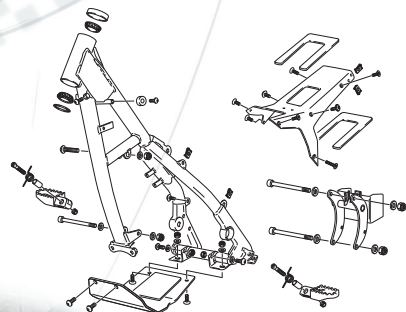
TY 125 4T

MANUEL DE PIÈCES
PARTS MANUAL
MANUAL DE RECAMBIOS

2012

CADRE / FRAME / CHASIS

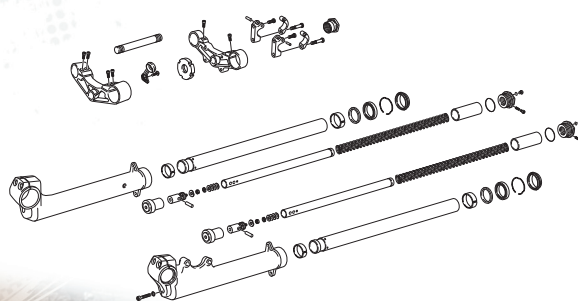
1



PAG. 6

FOURCHE / FORK / HORQUILLA

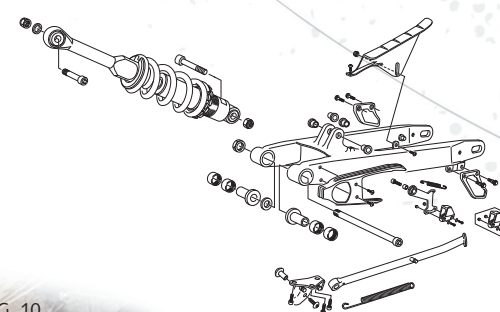
2



PAG. 8

AMORTISSEUR - BRAS OSCILLANT / REAR SHOCK - SWINGARM / AMORTIGUADOR - BASCULANTE

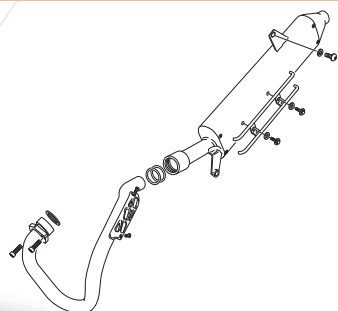
3



PAG. 10

ECHAPPEMENT / EXHAUST / ESCAPE

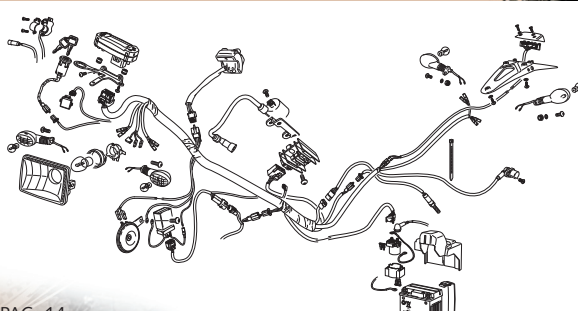
4



PAG. 12

FAISCEAU ELECTRIQUE / ELECTRICAL SYSTEM / SISTEMA ELÉCTRICO

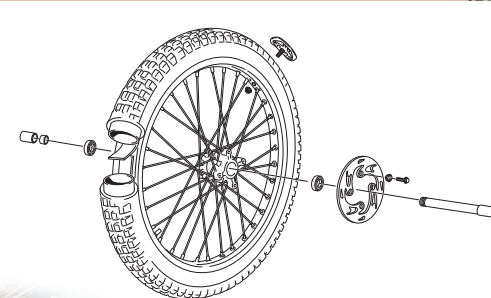
5



PAG. 14

ROUE AVANT / FRONT WHEEL / RUEDA DELANTERA

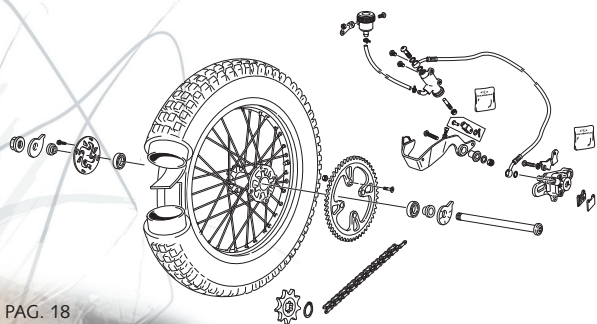
6



PAG. 16

ROUE ARRIERE / REAR WHEEL / RUEDA TRASERA

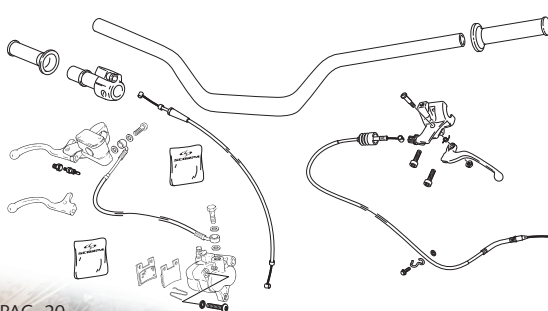
7



PAG. 18

GUIDON / HANDLEBAR / MANILLAR

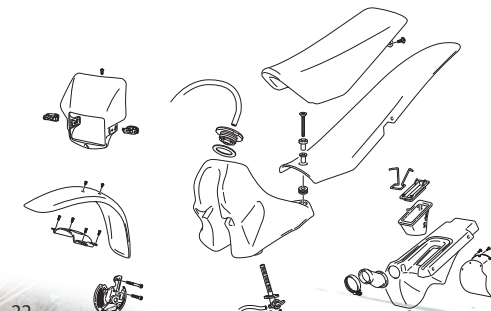
8



PAG. 20

PLASTIQUES / PLASTICS / PLÁSTICOS

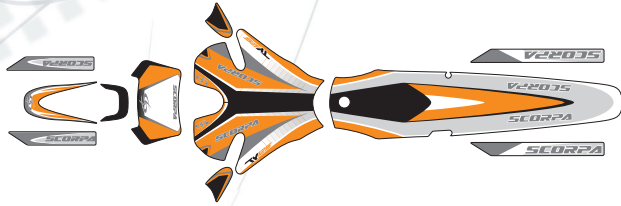
9



PAG. 22

ADHESIFS / STIKERS / ADHESIVOS

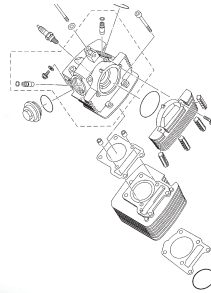
10



PAG. 24

CYLINDRE / CYLINDER / CILINDRO

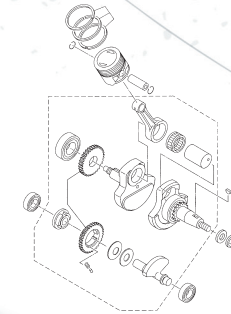
11



PAG. 26

VILLEBREQVIN ASSEMBLE / CRANKSHAFT ASSEMBLY / CIGÜEÑAL BIELA

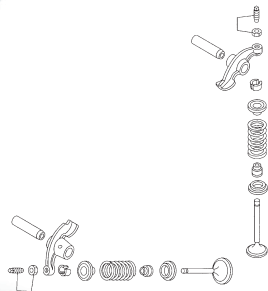
12



PAG. 28

SOUPAPES / VALVES / VÁLVULAS

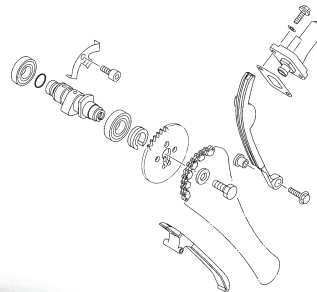
13



PAG. 30

SYSTEME DISTRIBUTION / DISTRIBUTION SYSTEM / SISTEMA DISTRIBUCION

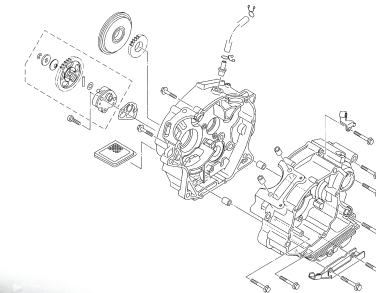
14



PAG. 32

CARTER CENTRAUSE / CENTRAL CRANKCASE / CARTER CENTRAL

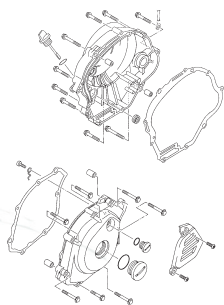
15



PAG. 34

CARTER LATREAUSE / LATERAL CRANKCASE / CARTER LATERAL

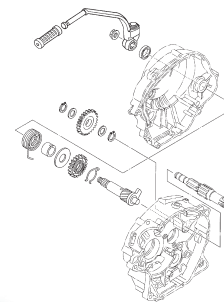
16



PAG. 36

SYSTEME DEMARREUR / STAR SYSTEM / SISTEMA ARRANQUE

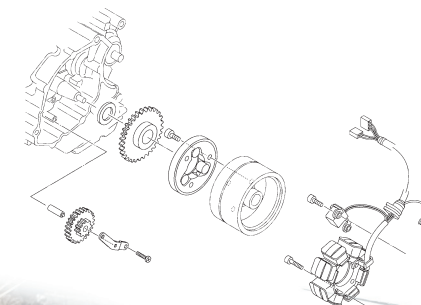
17



PAG. 38

ESSEMBLE ALLUNAGE / IGTION SYSTEME / SISTEMA ENCENDIDO

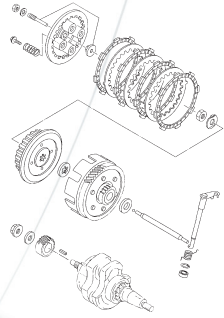
18



PAG. 40

EMBAYAGE / CLUTCH / EMBRAGUE

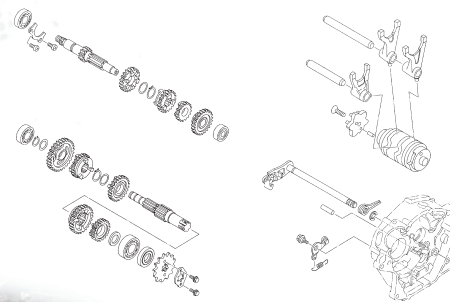
19



PAG. 42

TRANSMISSION / TRANSMISSION / TRANSMISIÓN

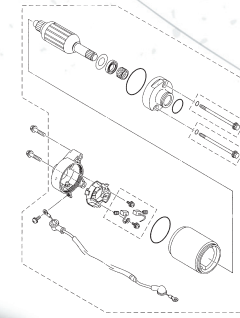
20



PAG. 44

DEMARREUR ELECTRIQUE / KICKSTARTER / ARRANQUE ELÉCTRICO

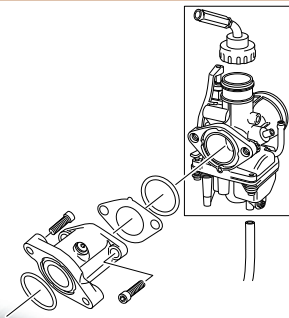
21



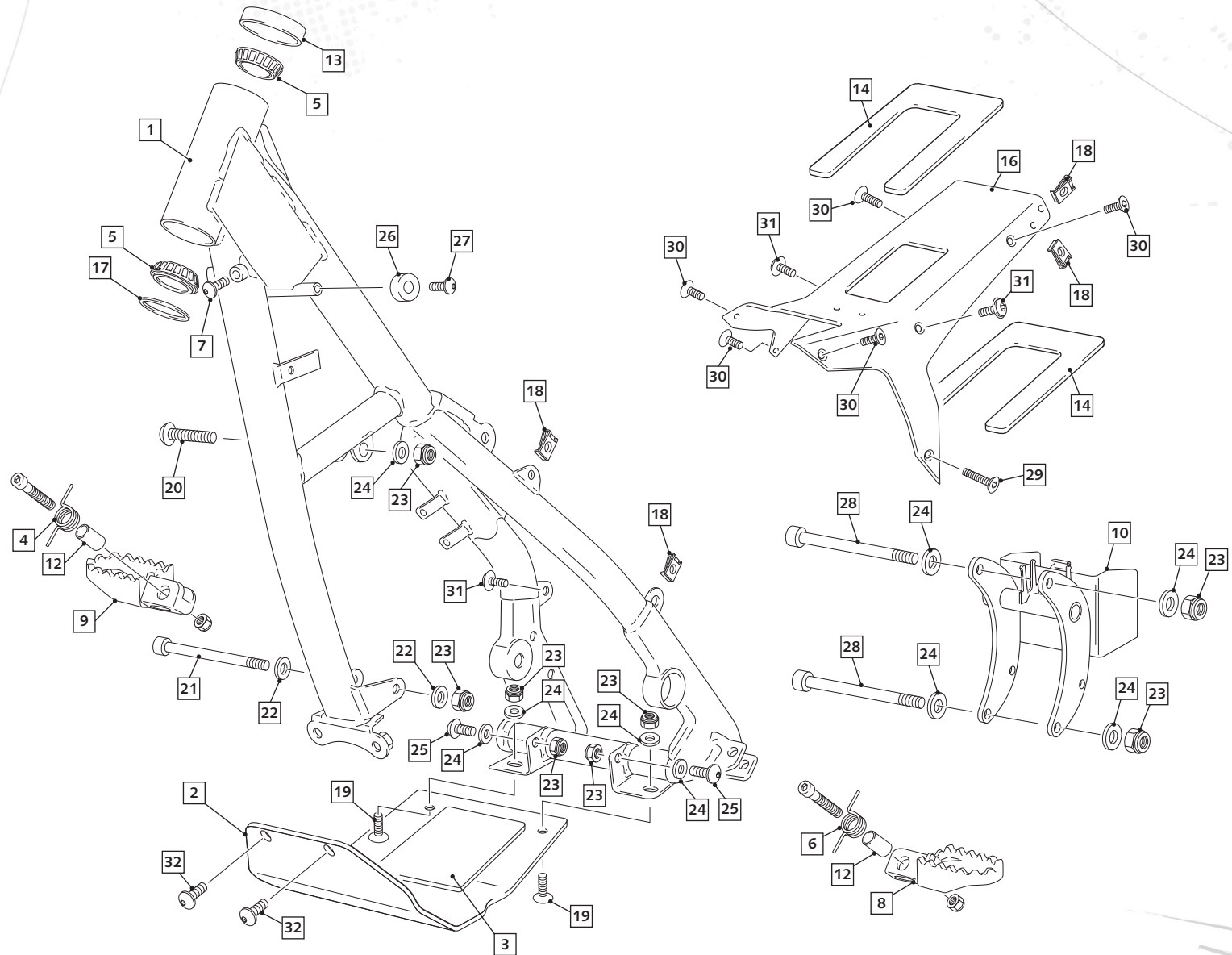
PAG. 48

CARBURATEUR / CARBURETOR / CARBURADOR

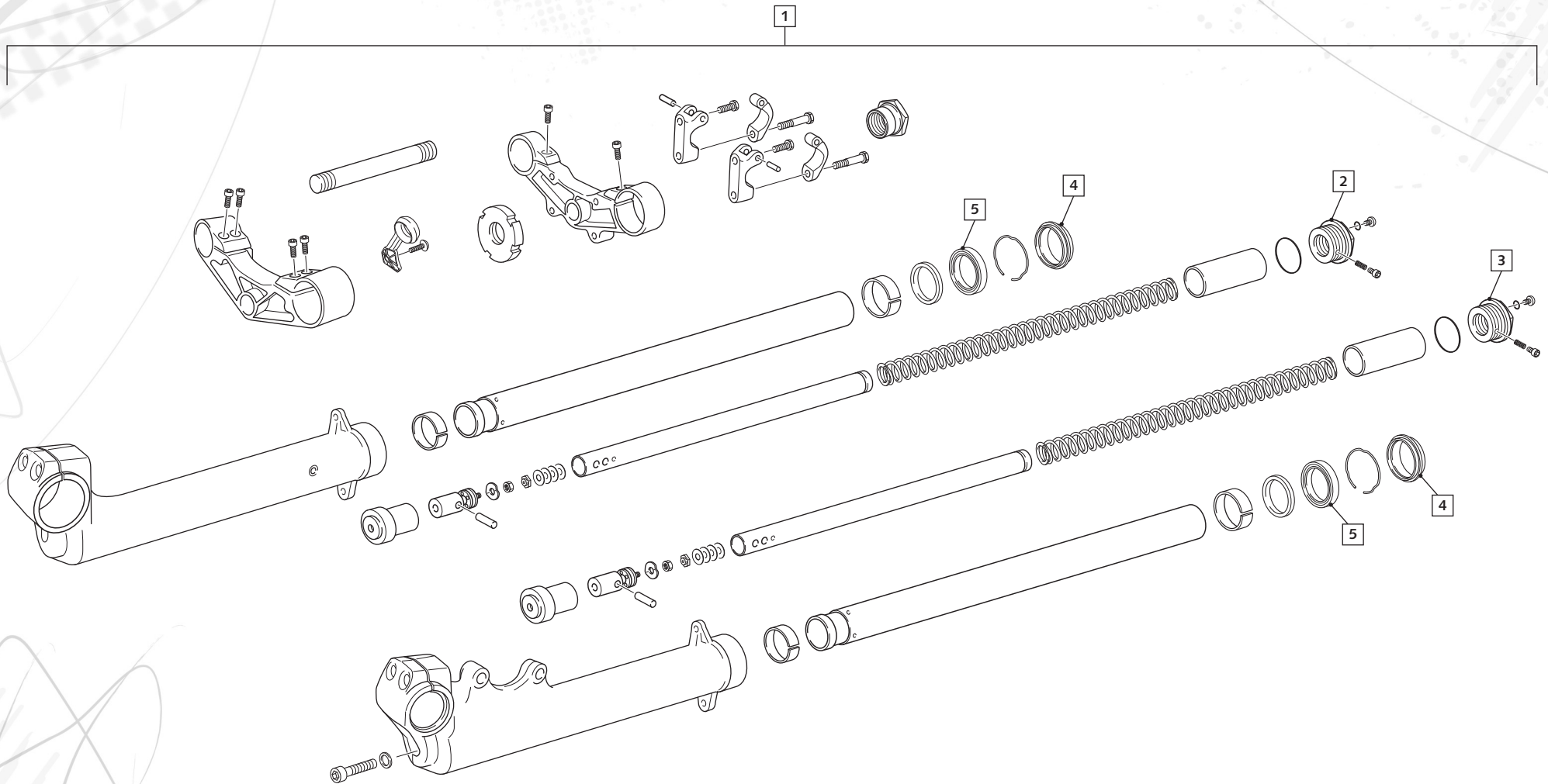
22

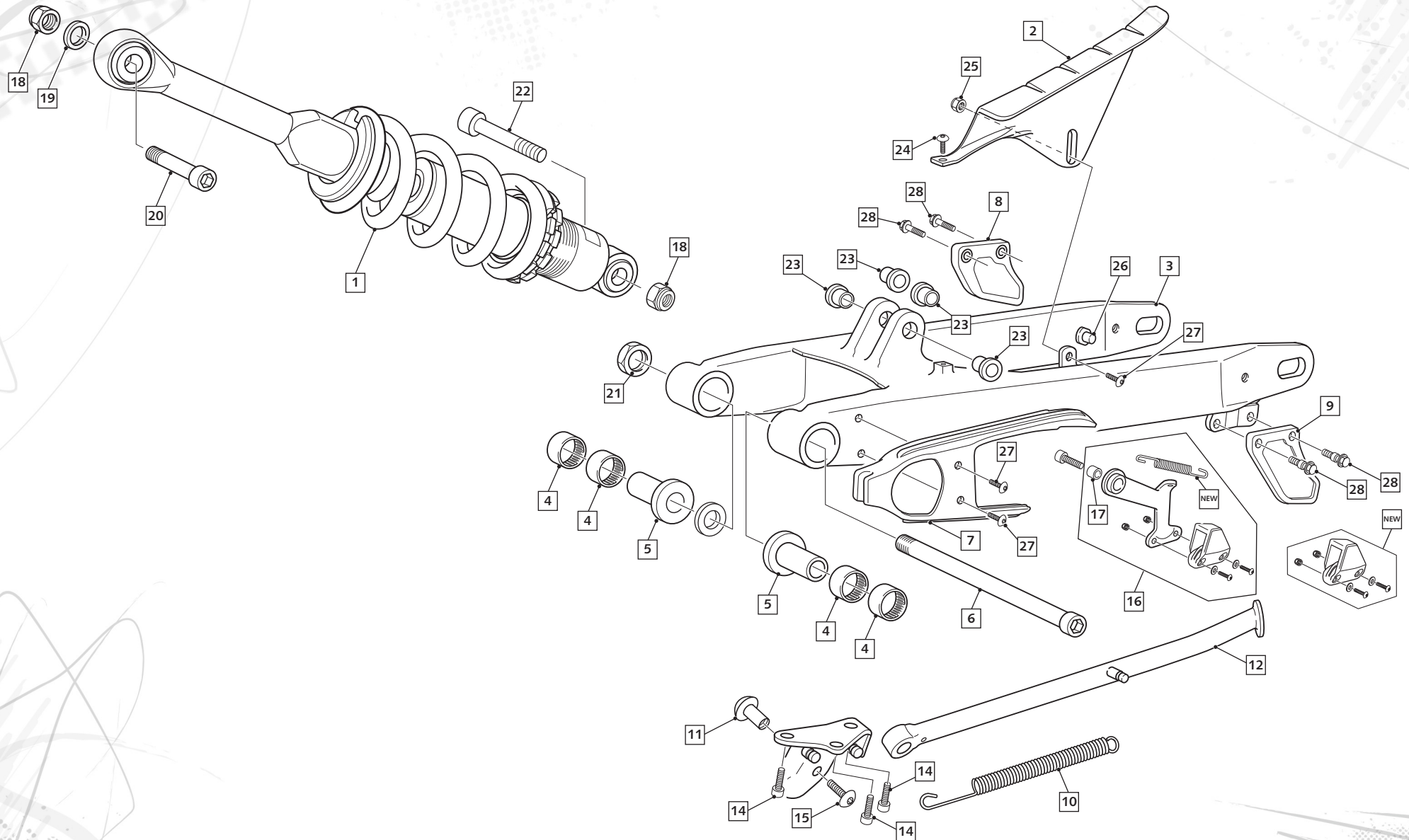


PAG. 50

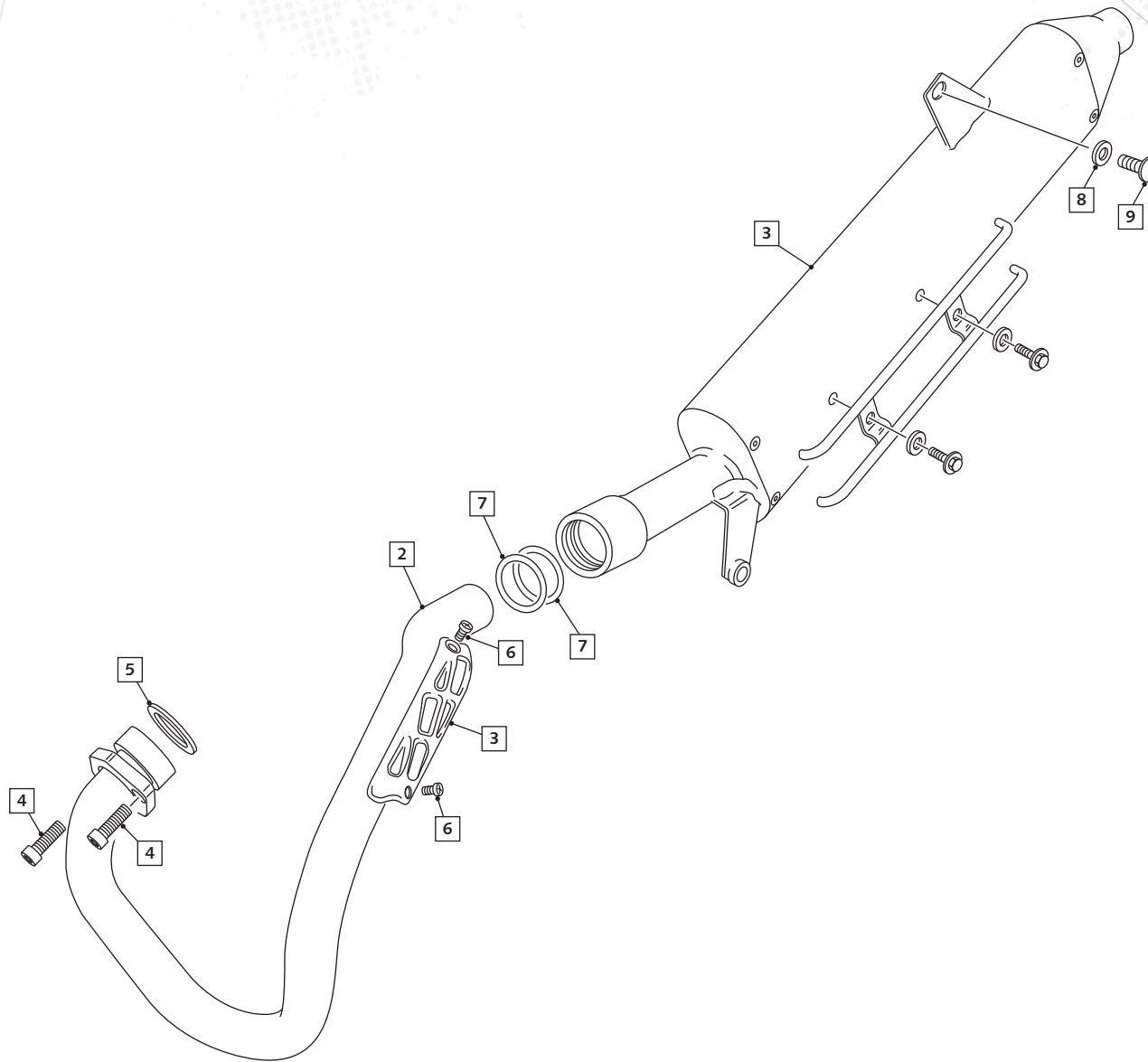


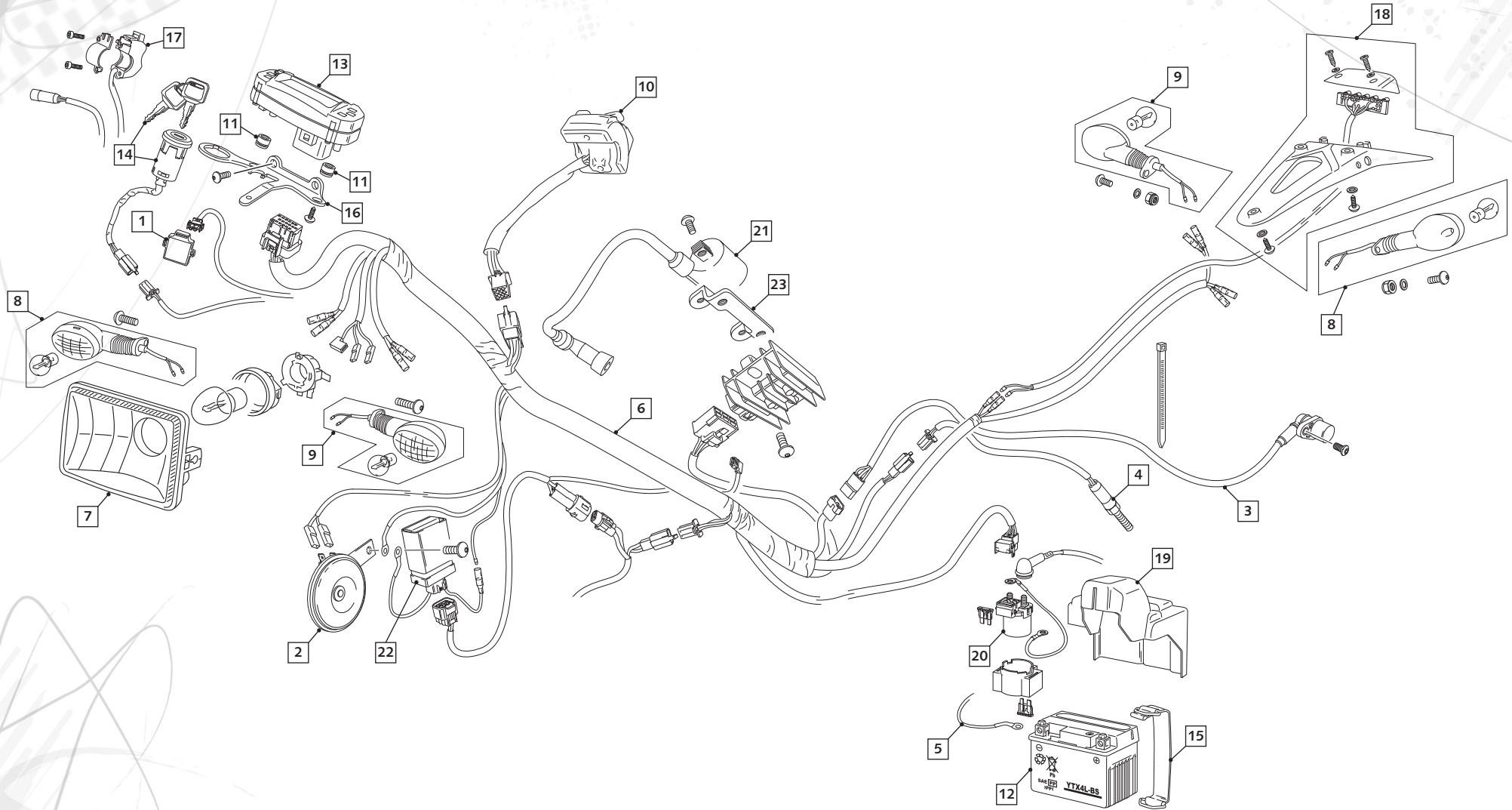
POS.	125	FRANÇAIS	ENGLISH	ESPAÑOL
1	2595	CADRE TY125	FRAME TY	CHASSIS TY 125
2	2680	SABOT MOTEUR TY125	BASH PLATE TY125	PROTECTOR CARTER TY125
3	2689	CAOUTCHOUC SABOT MOTEUR TY125	ENGIN GUARD RUBBER TY 125	GOMA PROTECTOR MOTOR TY 125
4	C008	RESSORT REPOSE PIED DROITE	RIGHT FOOTPEG SPRING	MUELLE ESTRIBERA DERECHA
5	C009	ROULEMENT COLONNE DIRECTION R32004	STEERING BEARING R32004	RODAMIENTO DIRECCION R32004
6	C012	RESSORT DE REPOSE PIED GAUCHE	LEFT FOOT PEG SPRING	MUELLE ESTRIBERA IZQUIERDA
7	H173	ANTIVOL DIRECTION END 50	STEERING LOCK ENDURO 50	ANTIROBO DIRECCION END 50
8	H174	CALE PIED GAUCHE	LEFT FOOTREST	ESTRIBO IZQUIERDO
9	H175	CALE PIED DROIT	RIGHT FOOTREST	ESTRIBO DERECHO
10	2687	SUPPORT MOTEUR TY125	ENGINE SUPPORT TY125	SUPORT MOTOR TY125
11	3295	SUPPORT S BOBINE TY125	SUPPORT COIL S TY125	SOPORTE BOBINA S TY125
12	C007	ENTRETOISE REPOSE PIED 18.4	SPACER FOOT PEG 18.4	CASQUILLO ESTRIBERA 18.4
13	C010	BAGUE DE PROTECTION HAUTE PLASTIC	PLASTIC DUST COVER	GUARDA POLVO SUPERIOR PLASTIC
14	2577	ADHESIF ISOLANT BOITE A AIR TY125	ADHESIF ISOLATE AIR BOX TY125	ADHESIVO AISLANTE CAJA FILTRO TY125
15	2578	ADHESIF MOUSSE SUPPORT FILTRE TY125	ADHESIF FOAM SUPPORT FILTER TY125	ADHESIVO ESPUMA SOPORTE FILTRO TY125
16	2685	SUPPORT ALU BOITIER FILTRE SY125	ALU FILTER AIR HOLDER TY125	SOPORTE ALUMINIO CAJA FILTRO TY 125
17	C011	BAGUE DE PROTECTION BASSE	FORK ALUMINIUM WHASHER	ARANDELA GUARDA POLVO INF
18	M308	ECROU CLIP M6 0500500400	NUT CLIP M6	TUERCA CLIP M6
19	M301	VIS FHC 8 X 20 1089	SCREW FHC 8 X 20	TORNILLO AVELLANADO M 8 X 20
20	C407	VIS CHC M10 X 45	SCREW M10 X 45	TORNILLO M10 X 45 DIN 912
21	M266	VIS CHC 8 X 80 0084	SCREW CHC 8 X 80	TORNILLO 8 X 80 ALLEN
22	3021	RONDELE M10 BL DIN 7980	WASHER M10 BL DIN 7980	ARANDELA M10 BL DIN 7980
23	M305	ECROU NYLSTOP M8 0368.8	NUT NYLSTOP M8	TUERCA NYLSTOP M8
24	M316	RONDELLE X 8 1405 08	WASHER X 8	ARANDELA 8 DIN 125 A
25	2326	VIS BHC 8 X 35 NOIR	SCREW BHC 8X35 BLACK	TORNILLO M8 X 35 ULS NEGRO
26	0238	BUTEE PLASTIQUE RESERVOIR END 450	RUBBER TANK HOLDER END 450	TOPE GOMA DEPOSITO END 450
27	M282	VIS BHC 6 X 10 1093	SCREW BHC 6 X 10	TORNILLO 6 X 10 BHC
28	C412	VIS CHC M8 X 100	SCREW CHC M 8 X 100	TORNILLO CHC M 8 X 100
29	0652	VIS FHC M6 X 25	SCREW FHC M6 X 25	TORNILLO AVELL M6 X 25 DIN 7991
30	3205	VIS FHC 6X16	SCREW FHC 6X16	TORNILLO AVELLANADO M 6X16 DIN 7998
31	M268	VIS BHC 6 X 16 CARROSSERIE	SCREW BHC 6 X 16 CARROSSERIE	TORNILLO 6 X 16 ESPECIAL CARROCERIA

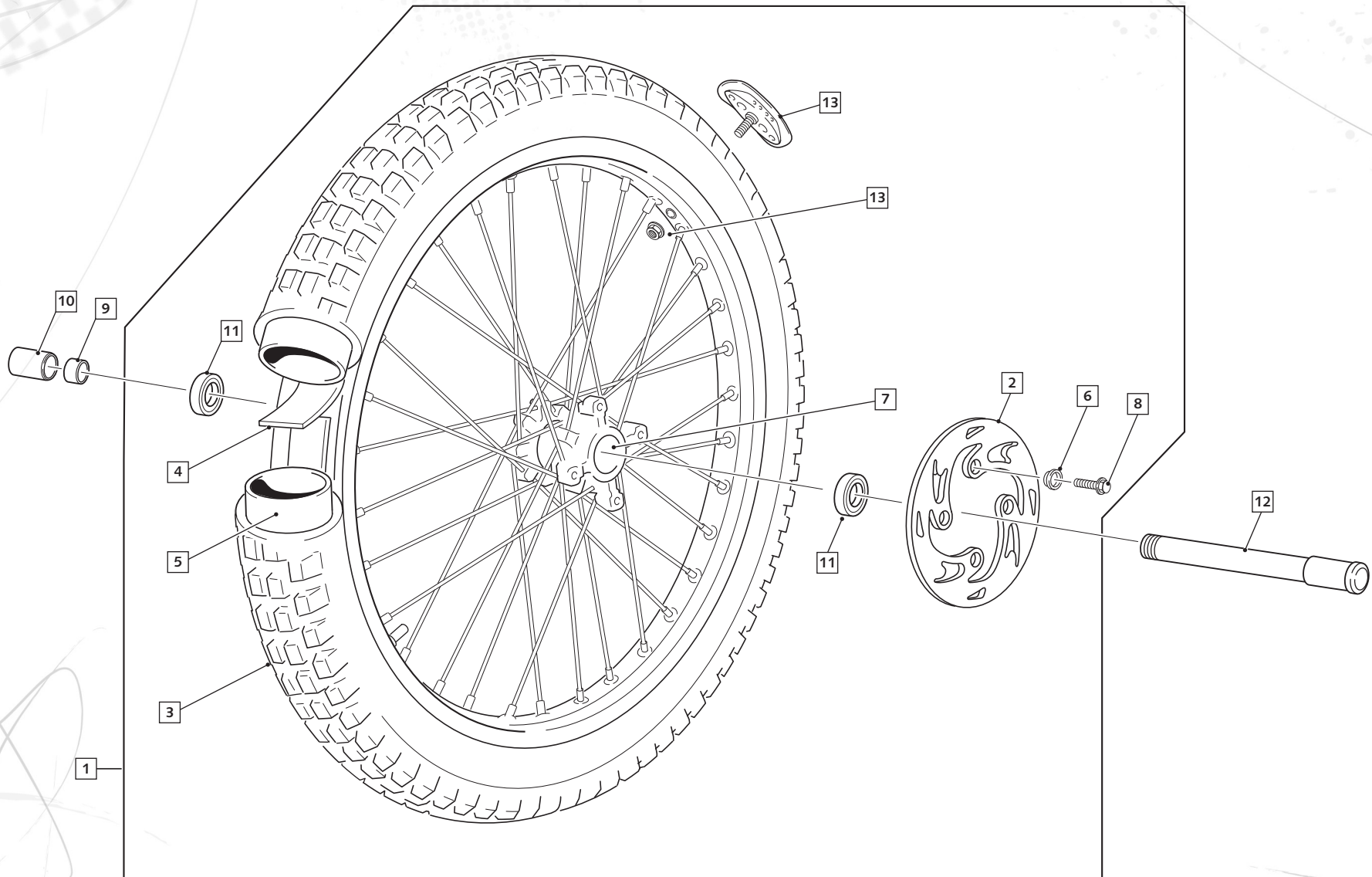


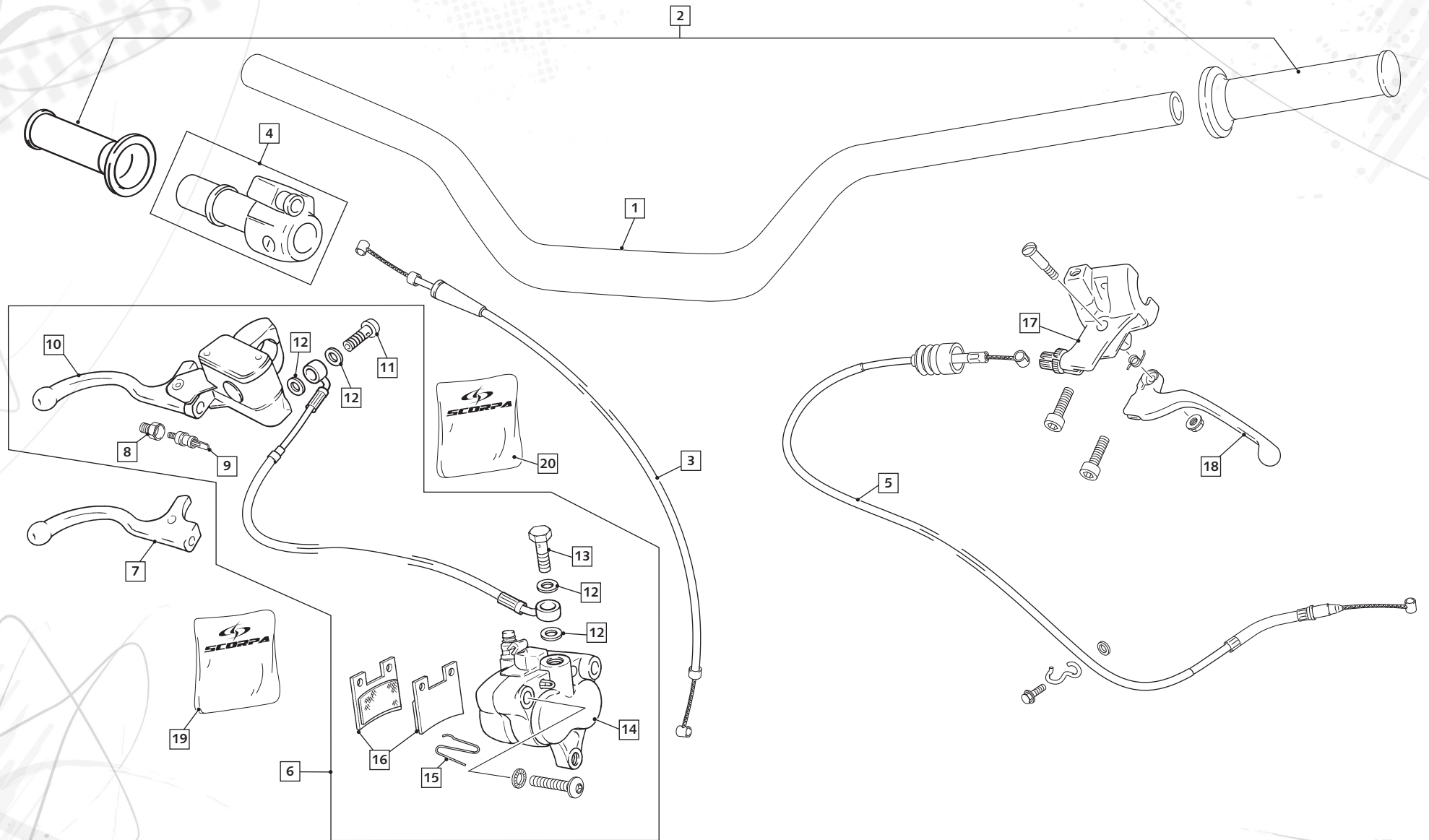


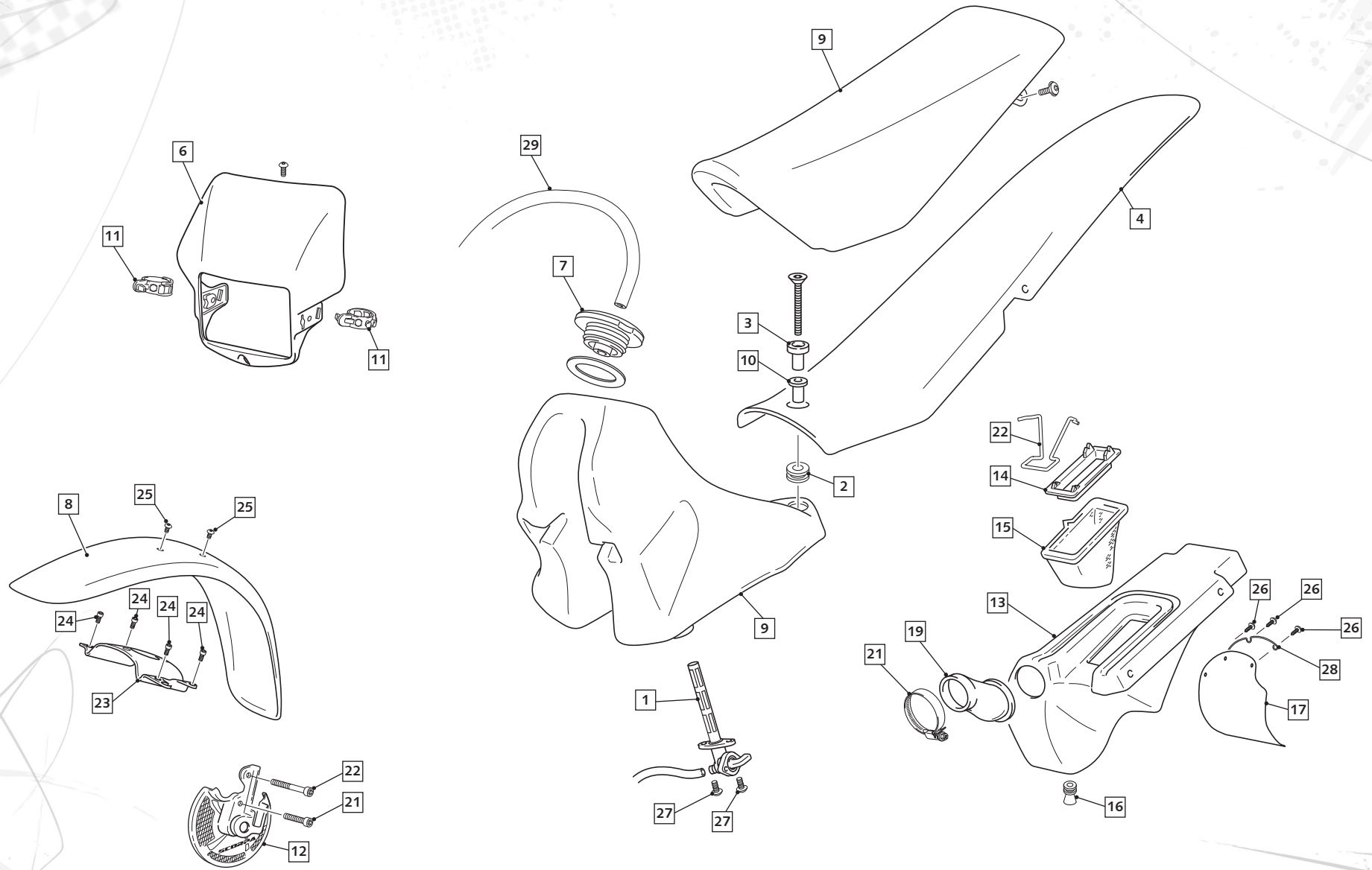
POS.	125	FRANÇAIS	ENGLISH	ESPAÑOL
1	2579	AMORTISSEUR TY125	SHOCK ABSORBER	AMORTIGUADOR
2	1208	CARTER DE CHAINE 07	CHAIN PROTECTOR 07	CUBRE CADENAS 07
3	2590	BRAS OSCILLANT ANODISE TY125	SWING ARM	BASCULANTE
4	C151	DOUILLE AIGUILLE BRAS HK 20X20X2 RS	BEARING HK 20X20X2RS	CASQUILLO AGUJAS BASCULANTE HK20X20X2RS
5	C153	ENTRETOISE ARTICULATION BRAS	SPACER SWING ARM	CASQUILLO EJE BASCULANTE
6	C154	AXE BRAS OSCILLANT	ALUMINIUM SWINGARM AXLE	EJE BASCULANTE ALUMINIO
7	C162	PATIN DE CHAINE	CHAIN GUIDE PLATE	PATIN CADENA
8	2661	PROTEGE DISQUE AR SR280	PROTECTOR REAR BRAKE DISC SR 280	PROTECTOR DISCO FRENO TRAS. SR 280
9	2883	PROTEGE COURONNE SR 280	SPROCKET PROTECTOR SR 280	PROTECTOR CORONA SR 280
10	C161	RESSORT DE BEQUILLE	SIDE STAND SPRING	MUELLE CABALLETE
11	C166	VIS SPECIALE BEQUILLE	SIDE STAND SPECIAL BOLT	TORNILLO ESPECIAL CABALLETE
12	S131	BEQUILLE SEULE	LATERAL STAND	CABALLETE
13	S132	SUPPORT DE BEQUILLE AVEC BUTEE	STAND HOLDER WITH RETAIN	SUPORTE CABALLETE CON TOPE
14	M252	VIS CHC 6 X 20 0084	SCREW CHC 6 X 20	TORNILLO 6 X 20 DIN 912
15	M281	VIS BHC 8 X 12 1093	SCREW BHC 8 X 12	TORNILLO 8 X 12 ULS
16	2672	TENDEUR CHAINE CPL PATIN/RESSORT/ENTRET. SR280	ASSEMBLE CHAIN TENSEUR SR 280	SENSOR CADENA COMPLETO SR 280
17	C755	ENTRETOISE REPOSE PIED CURT 06	SPACER FOOT PEG SHORT06	CASQUILLO ESTRIBERA CORTO 06
18	M304	ECROU NYLSTOP M10 0368.10	NUT NYLSTOP M10	TUERCA NYLSTOP M10
19	M315	RONDELLE X 10 1405 010	WASHER X 10	ARANDELA X 10 DIN 125 A
20	M259	VIS CHC 10 X 50 0084	SCREW CHC 10 X 50	TORNILLO 10 X 50 ALLEN
21	M310	ECROU PLAT M14 X 150 0319	NUT PLAT M14 X 150	TUERCA REBAJADA M14 X 150
22	2773	VIS CHC M10X70	SCREW CHC M10X70	TORNILLO CHC M10X70
23	2623	ENTRETOISE AMORTISSEUR BRAS COURT	SPACER SHOCK ABSORBER SWINGARM SHORT	CASQUILLO AMORTIGUADOR BASCULANTE CORTO
24	M258	VIS BHC 5 X 16 1093	SCREW BHC 5 X 16	TORNILLO 5 X 16 ULS
25	M306	ECROU NYLSTOP M6 0368.6	NUT NYLSTOP M6	TUERCA NYLSTOP M6
26	2871	BUTEE PINCE DE FREIN SR 280	BUTEE PINCE DE FREIN SR280	BUTEE PINCE DE FREIN SR280
27	M278	VIS BHC 5 X 10 1093	SCREW BHC 5X10	TORNILLO 5 X 10 ULS
28	1289	VIS COUVERCLE SUPERIEUR 4T TRIAL 07	SCREW 07	TORNILLO TAPA SUPERIOR 4T TRIAL 07



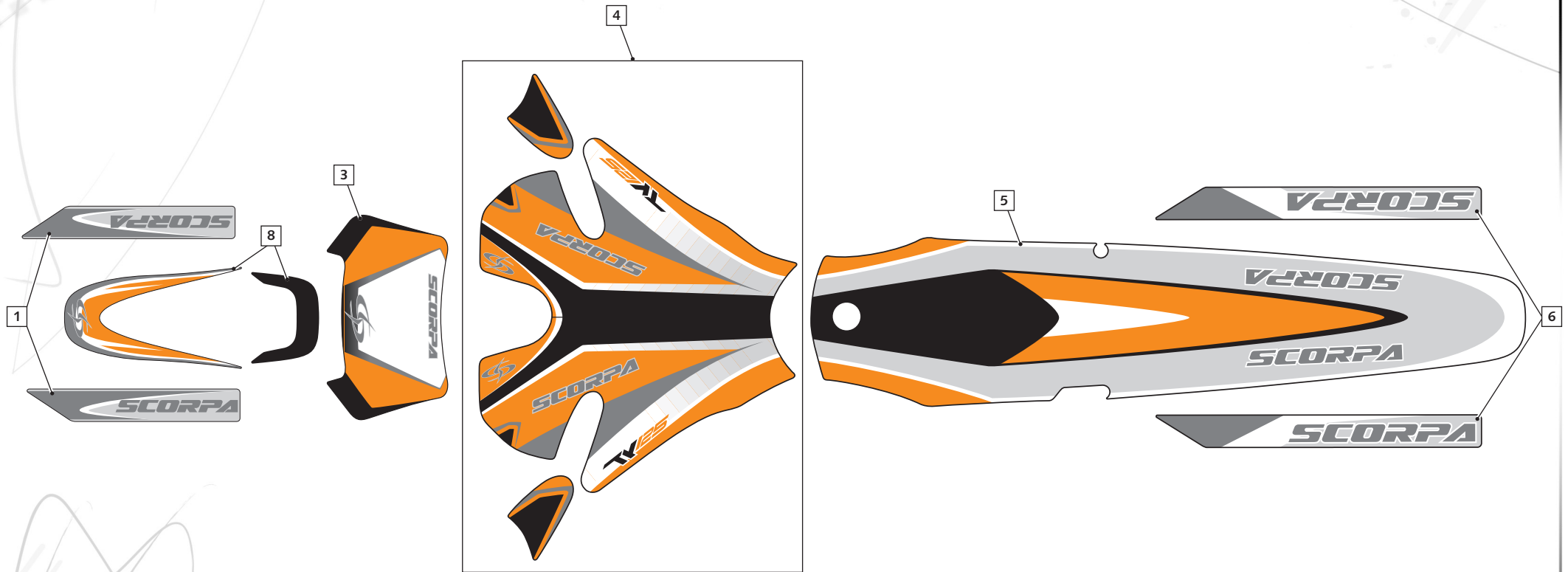


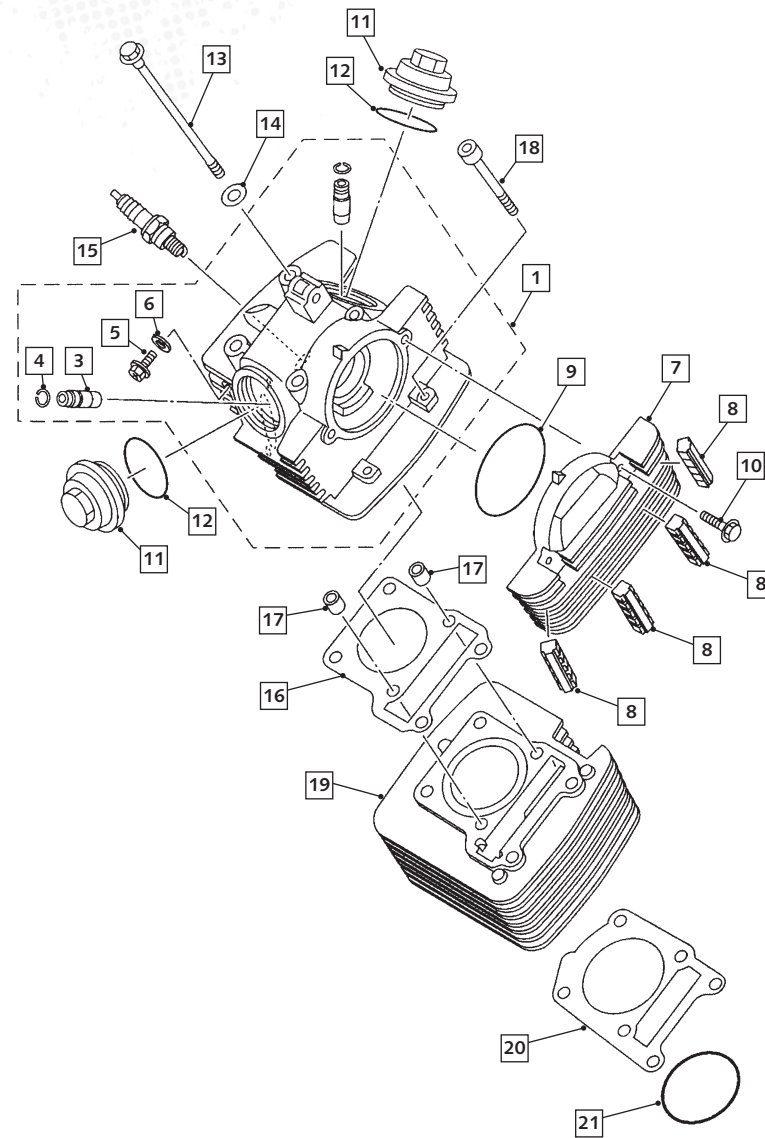


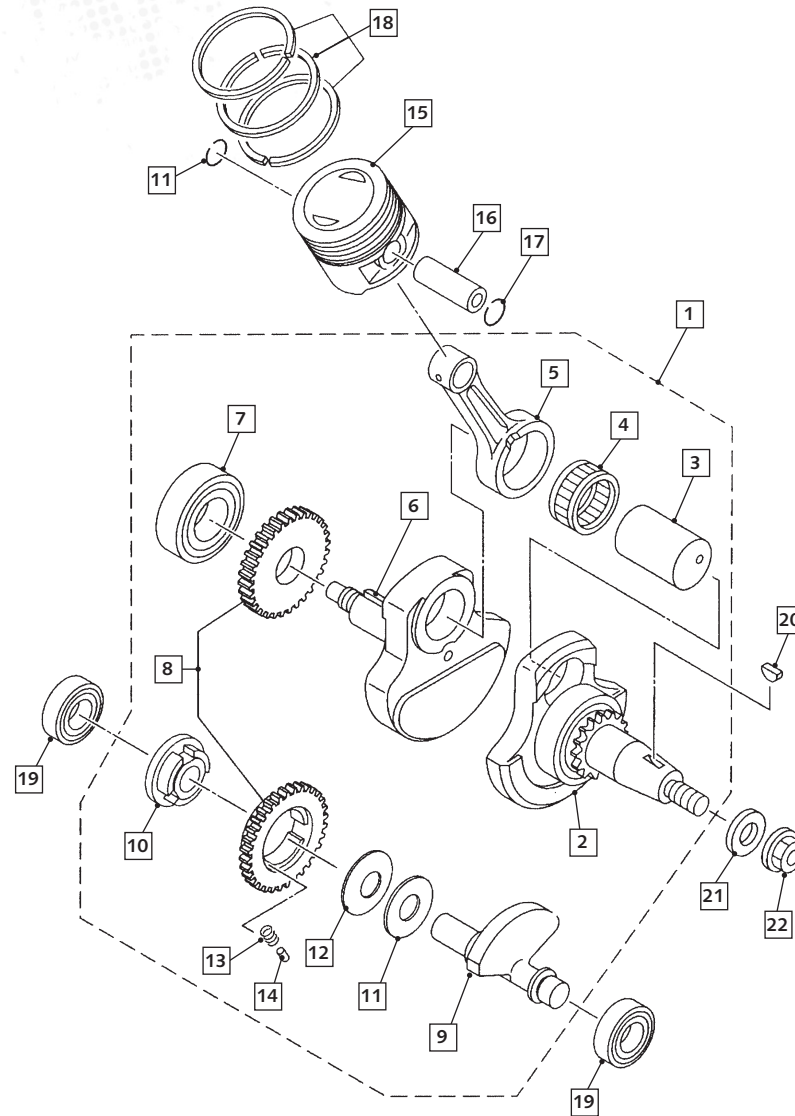


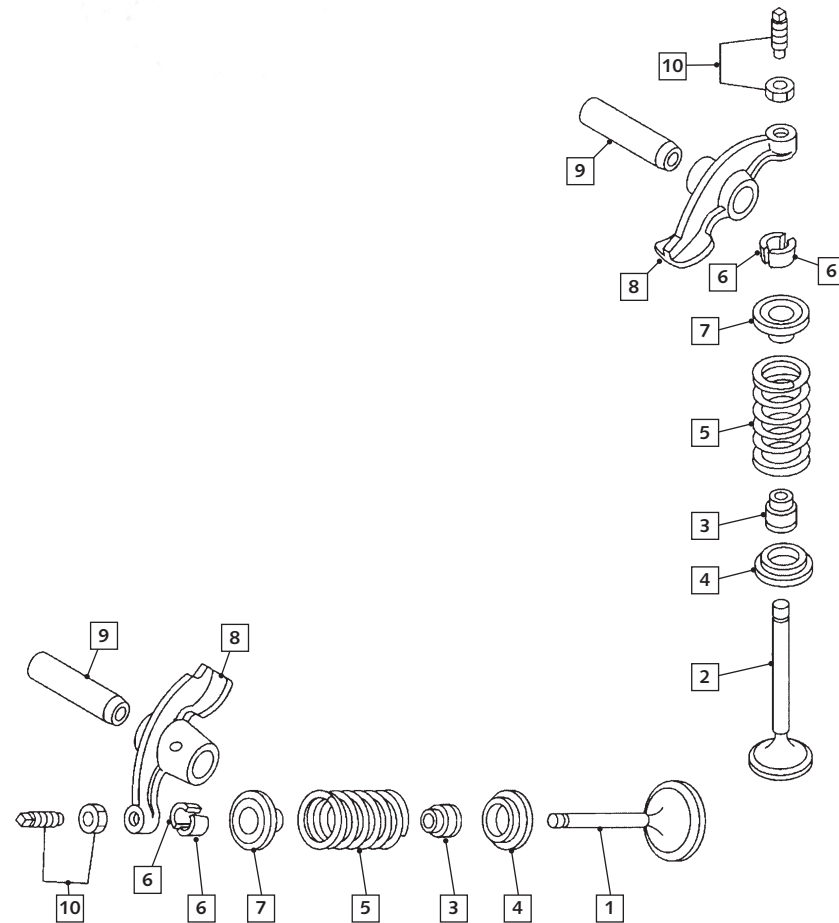


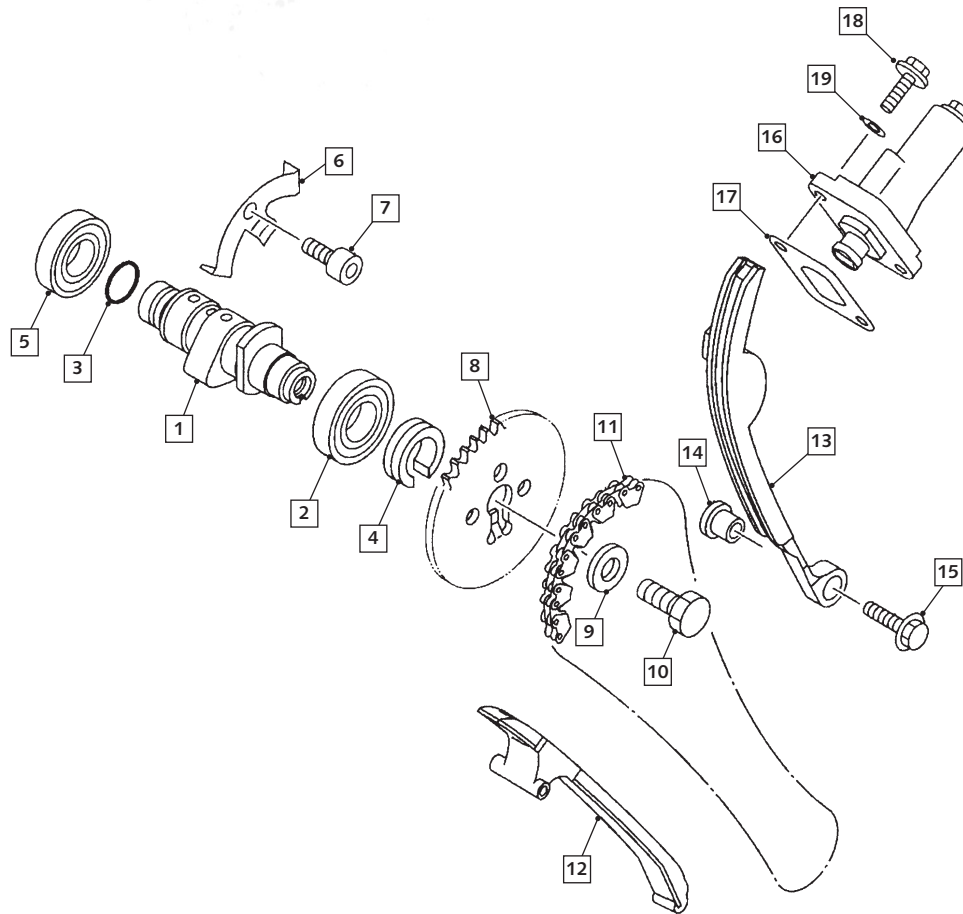
POS.	125	FRANÇAIS	ENGLISH	ESPAÑOL
1	2531	ROBINET ESSENCE SORTIE HORIZONTALE	PETROL TAP	GRIFO GAZOLINA HORIZONTAL
2	2597	CAOUTCHOUC CENTRAL RESERVOIR TY125	FUEL TANK CENTRAL RUBBERTY125	CAUCHO DEPOSITO TY125
3	2630	ENTRETOISE FIXATION SELLE TY125	TANK SEAT SPACER TY 125	CASQUILLO DEPOSITO ASIENTO TY 125
4	2641	PARE BOUE AR SOUPLE SY125 GRIS	REAR MUDGUARD SY 125 GREY	GUARDABARROS TRASERO SY 125 GRIS
5	2681	SELLE TY125	SEAT TY125	ASIENTO TY125
6	2744	PLAQUE PHARE TY125 ORANGE	FRONT LIGHT HOLDER TY125	PLACA FARO TY125
7	H398	BOUCHON ESSENCE PLAT ACERBIS	PETROL CAP	TAPON GASOLINA PLANO ACERBIS
8	S198	PARE BOUE AV ORANGE BRUT	FRONT MUDGUARD	GUARDABARROS DELANTERO EN BRUTO
9	2561	RESERVOIR TY125 ORANGE	TANK TY 125 ORANGE	DEPOSITO TY 125 NARANJA
10	2629	ENTRETOISE FIXATION RESERVOIR TY125	TANK SPACER TY 125	CASQUILLO DEPOSITO TY 125
11	2711	CAOUTCHOUC PLAQUE PHARE T-RIDE	RUBBER FRONT LIGHT T-RIDE	GOMA PLACA FARO TY125
12	2799	PROTEGE DISQUE AV GRIS SR280	DISC COVER GREY SR280	CUBREDISCO DELANTERO GRIS SR280
13	2587	BOITIER FILTRE TY125	AIR FILTER BOX	CAJA FILTRO
14	2616	COUVERCLE FILTRE TY125 HOMO	AIRBOX COVER TY 125 HOMO	TAPA FILTRO TY 125 HOMO
15	2795	MOUSSE DE FILTRE SR280	FOAM SR280	ESPUMA FILTRO SR280
16	1167	VALVE CAISSE FILTRE	VALVE BOX FILTER	VALVULA CA JA FILTRO
17	2583	BAVETTE AMORTISSEUR TY125	PROTECTOR SHOCK ABSORBER TY125	GOMA PROTECT AMORTIGUADOR TY125
18	2609	CLIP BAVETTE TY125 / SR280	CLIP PROTECTOR TY125/SR280	CLIP PROTECTOR TY125/SR280
19	2663	RACCORD FILTRE A AIR TY125	AIR FILTER RACCORD	TOBERA FILTRO AIRE TY125
20	3283	RESSORT FILTRE A AIR TY125/SR280	AIR FILTER HOLDE CLIP TY125/SR280	MUELLE CAJA FILTRO TY125/SR280
21	M262	VIS CHC 8 X 30 0084	SCREW CHC 8 X 30	TORNILLO 8 X 30ALLEN
22	M265	VIS CHC 8 X 60 0084	SCREW CHC 8 X 60	TORNILLO 8 X 60 ALLEN
23	2806	ARCEAU FOURCHE MARZOCCHI SR280	FRONT MURGAR HOLDER MARZOCCHI SR280	PUENTE HORQUILLA MARZOCCHI SR280
24	2938	VIS CHC 6 X 12 0084	SCREW CHC 6 X 12	TORNILLO 6 X 12 DIN 912
25	M278	VIS BHC 5 X10 1093	SCREW BHC 5X10	TORNILLO 5 X 10 ULS
26	2589	VIS BAVETTE AMORTISSEUR TOLE NOIR 4X10	SCREW STEEL PROTECTOR SHOCK ABSORVER BLACK 4X10	TORNILLO PROTEC. AMORTI. CHAPA NEGRO CON ARANDELA
27	M278	VIS BHC 5 X10 1093	SCREW BHC 5X10	TORNILLO 5 X 10 ULS
28	2607	JOINT TORIQUE 30X3,5 SILICONE	ORING 30X3,5 SILICON	JUNTA TORICA 30X3,5 SILICONA

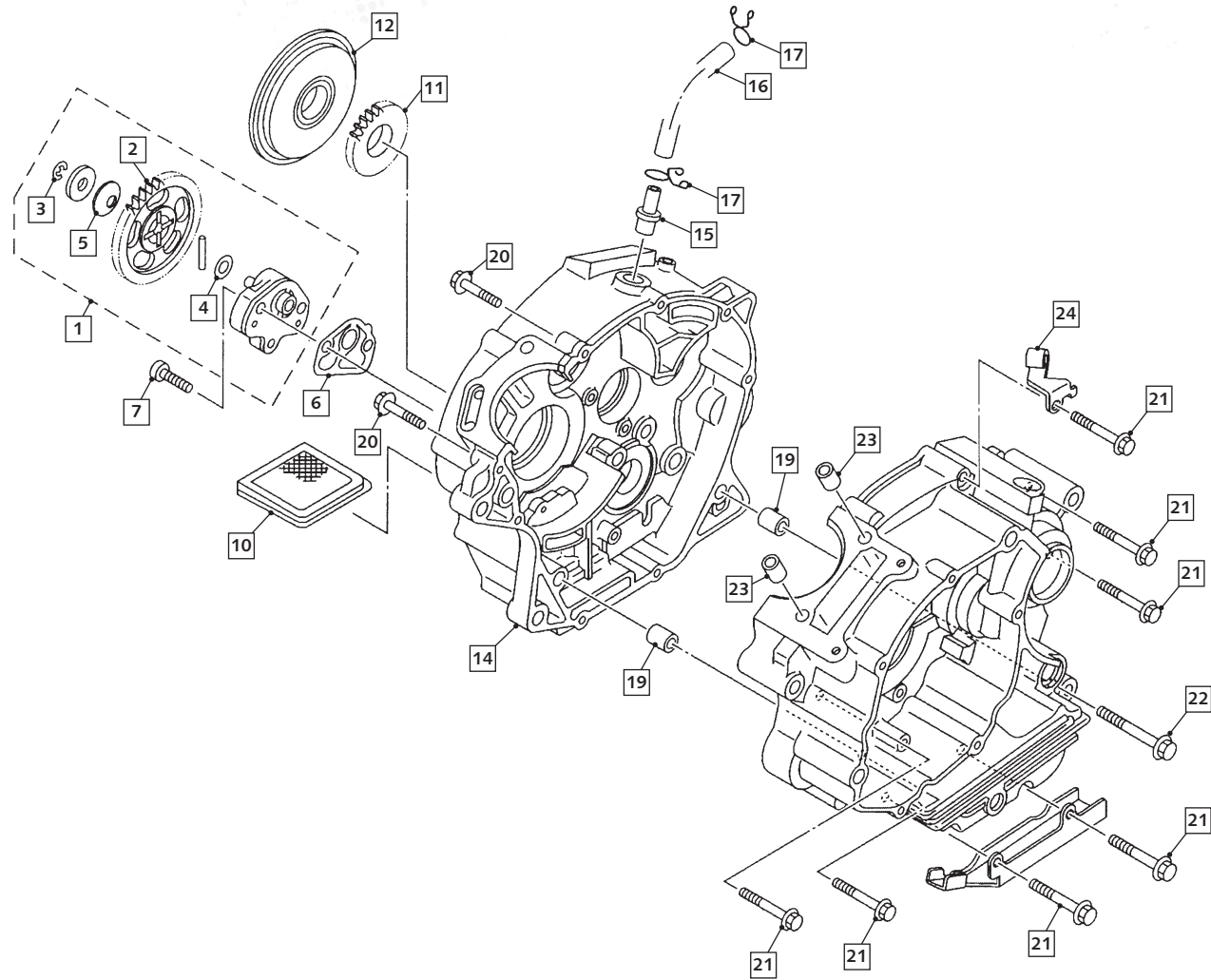


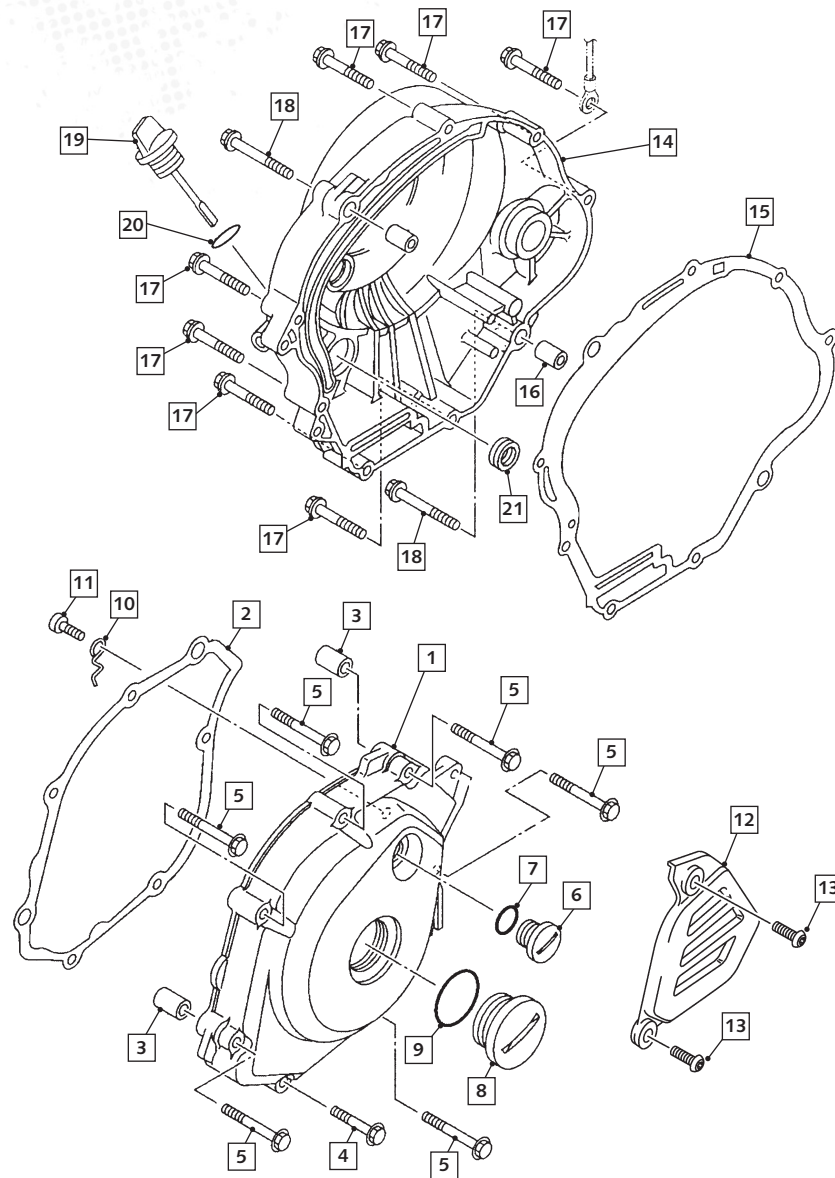


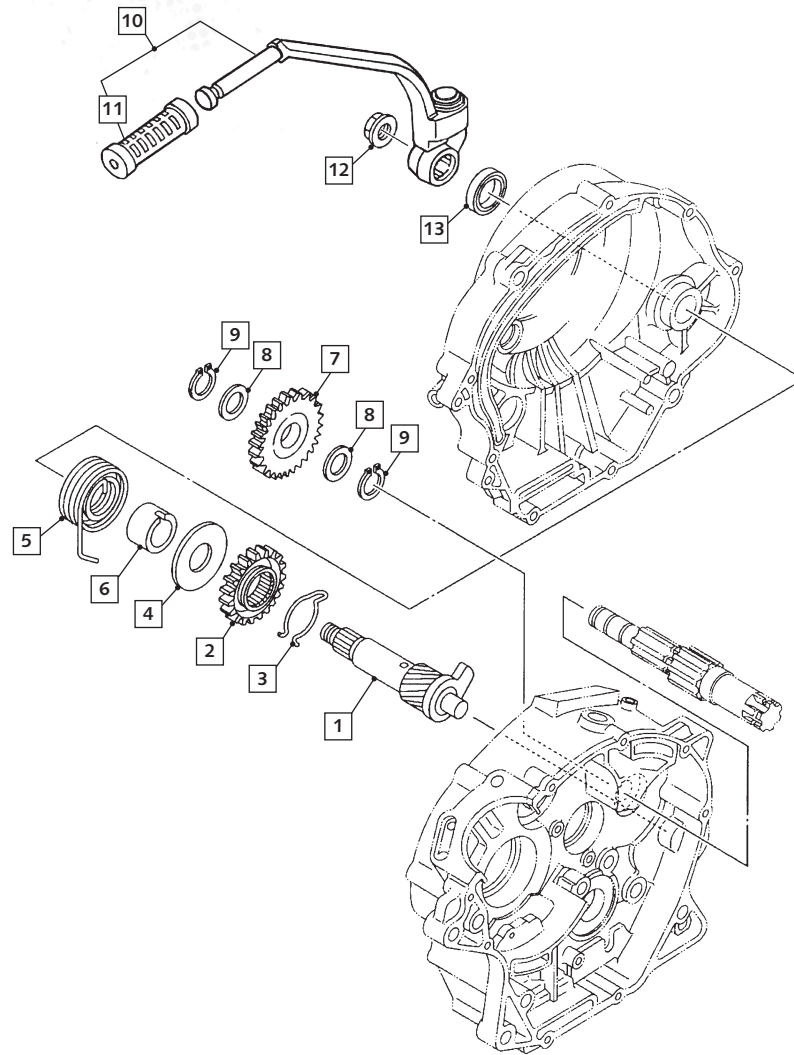


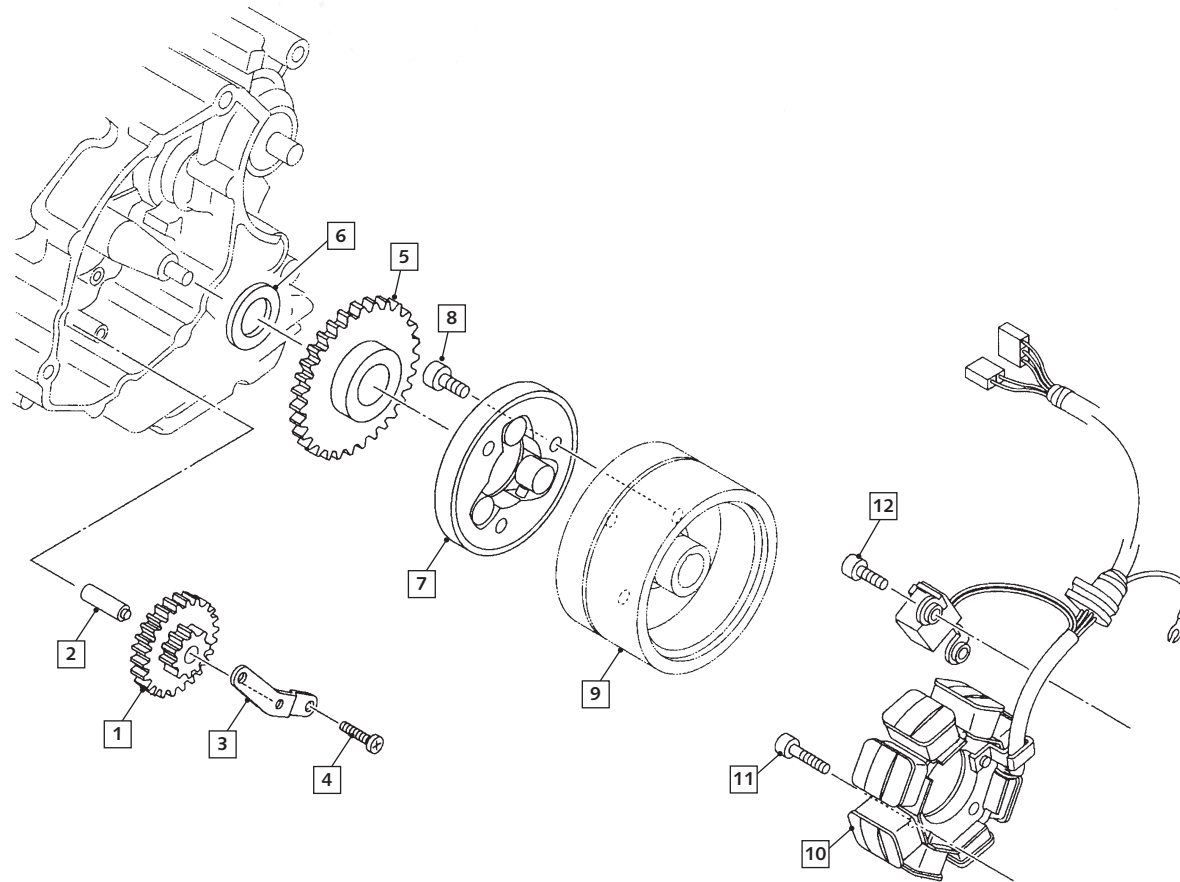


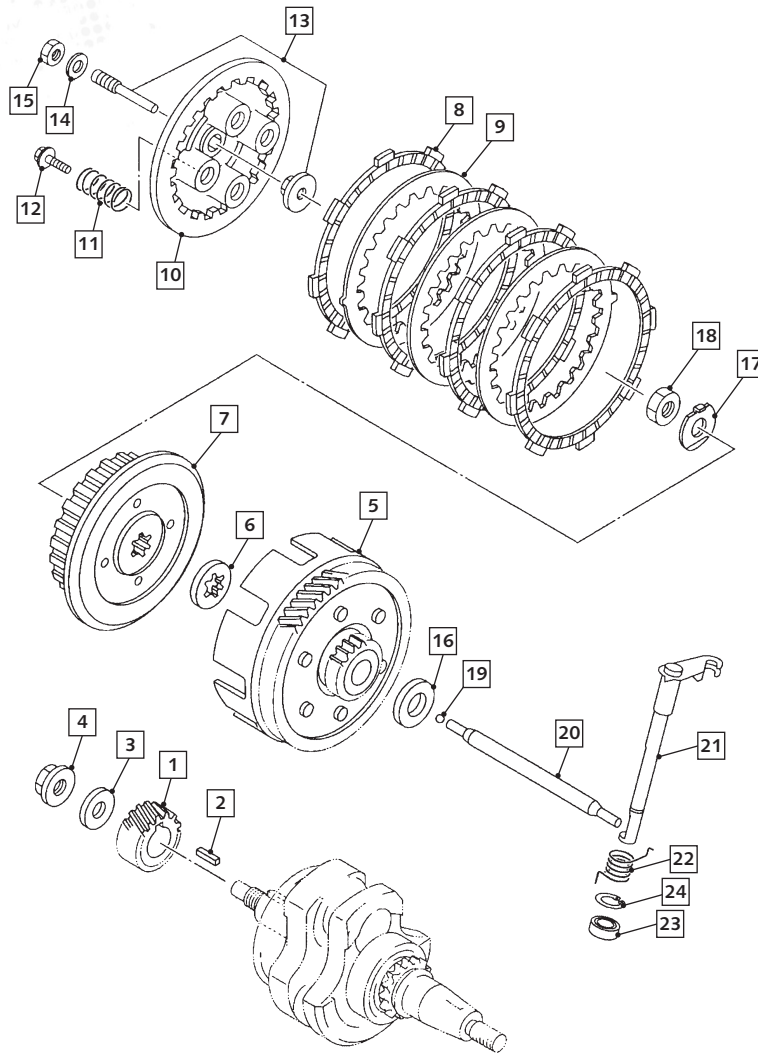


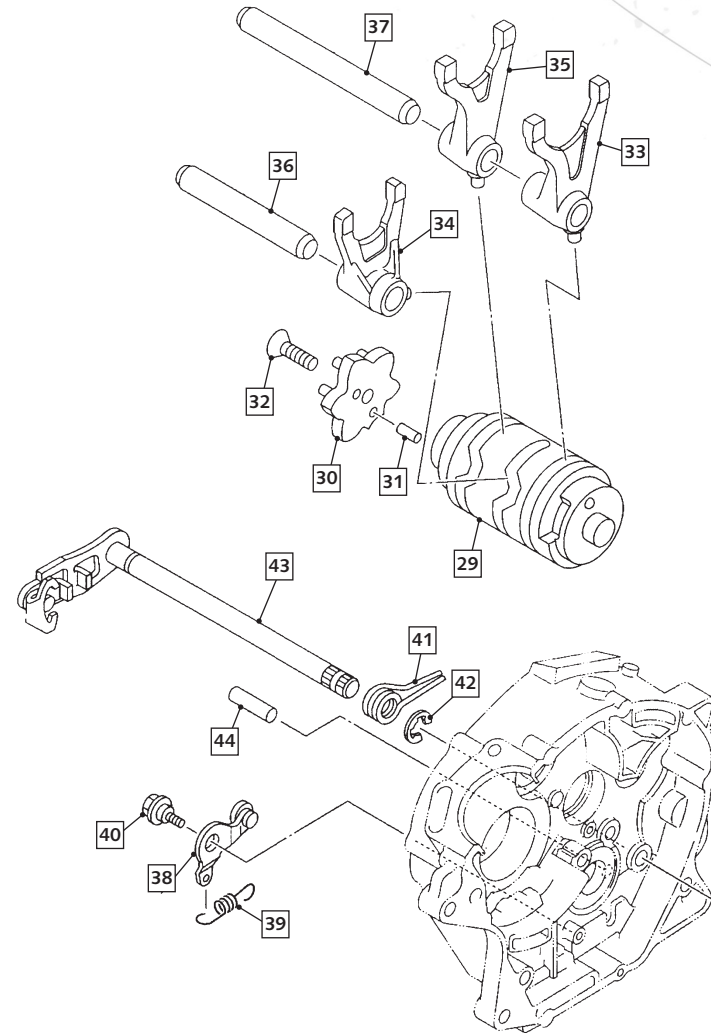
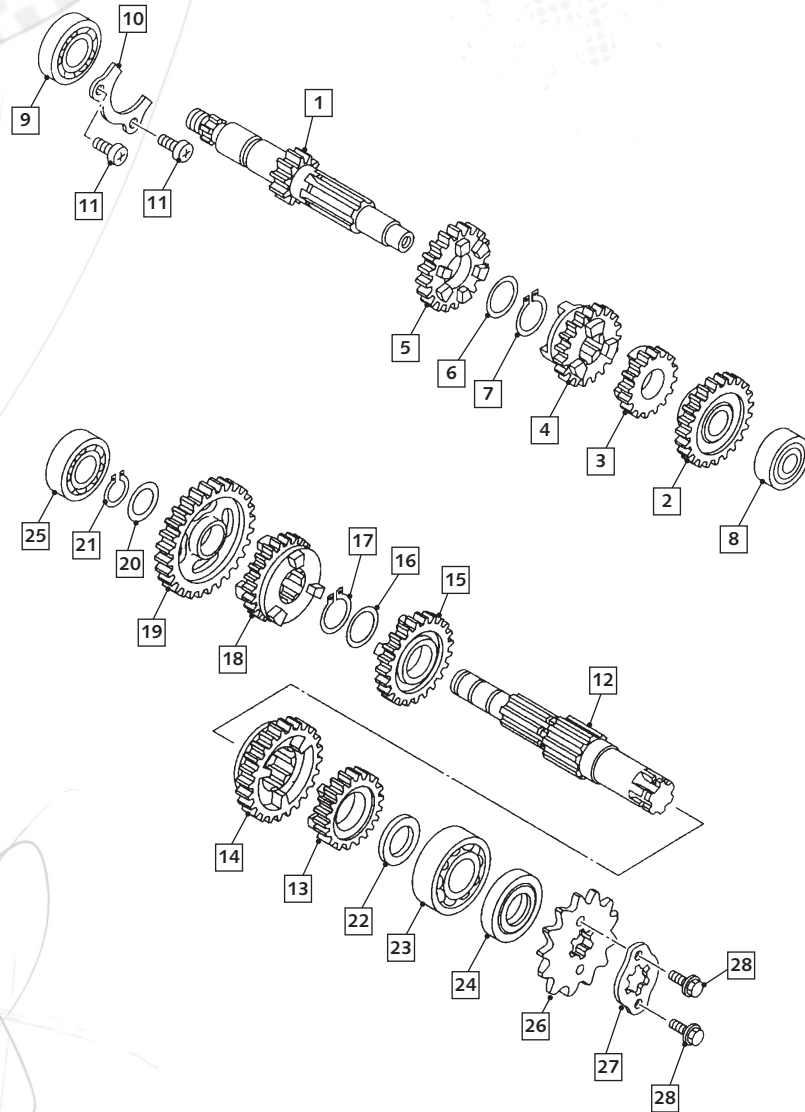




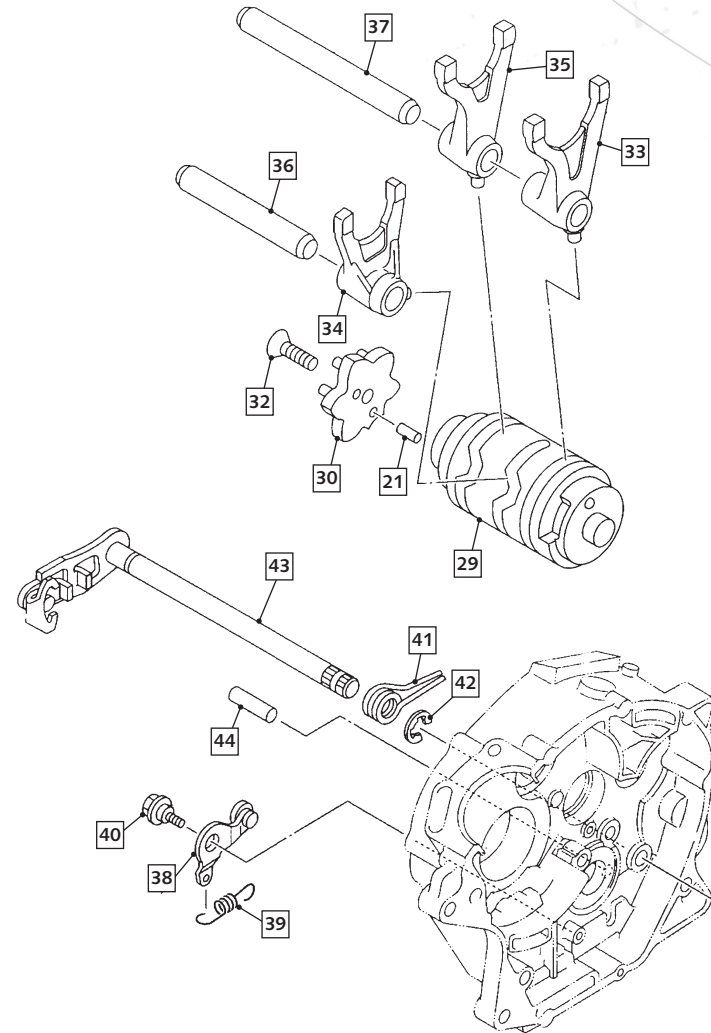
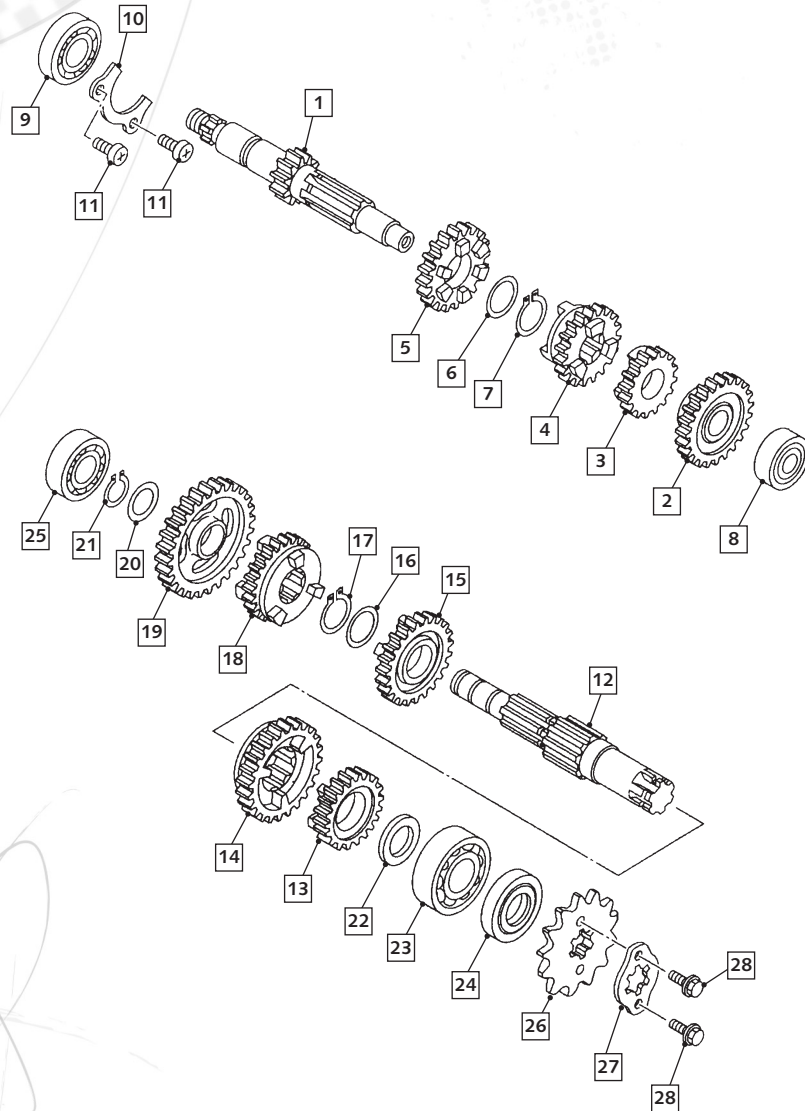


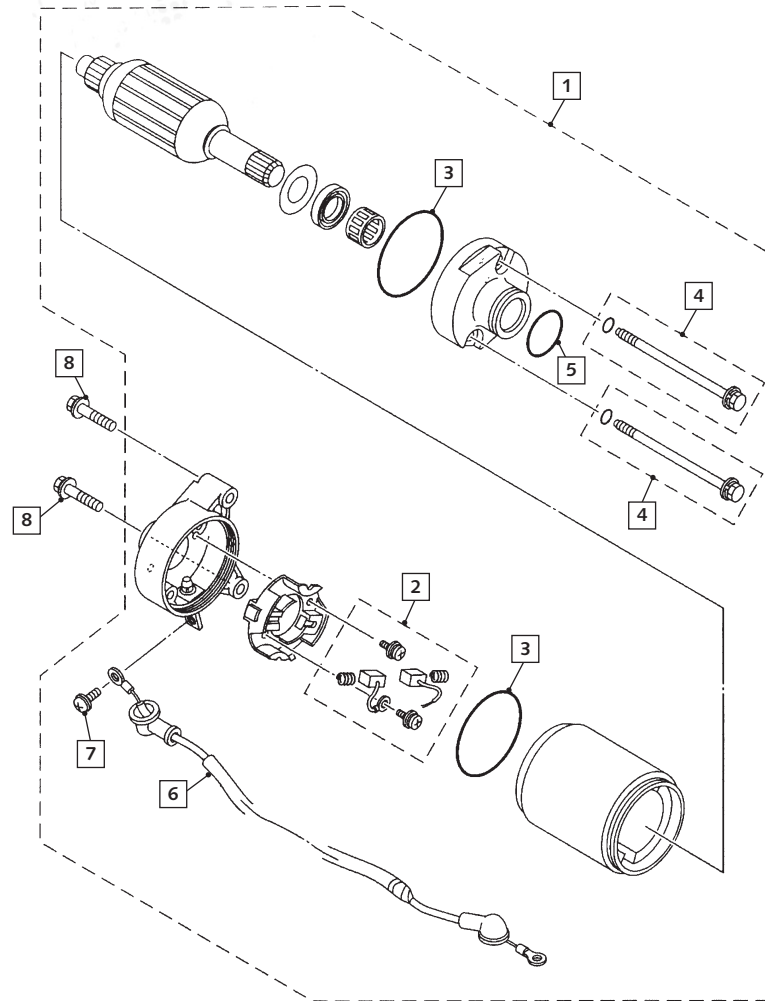


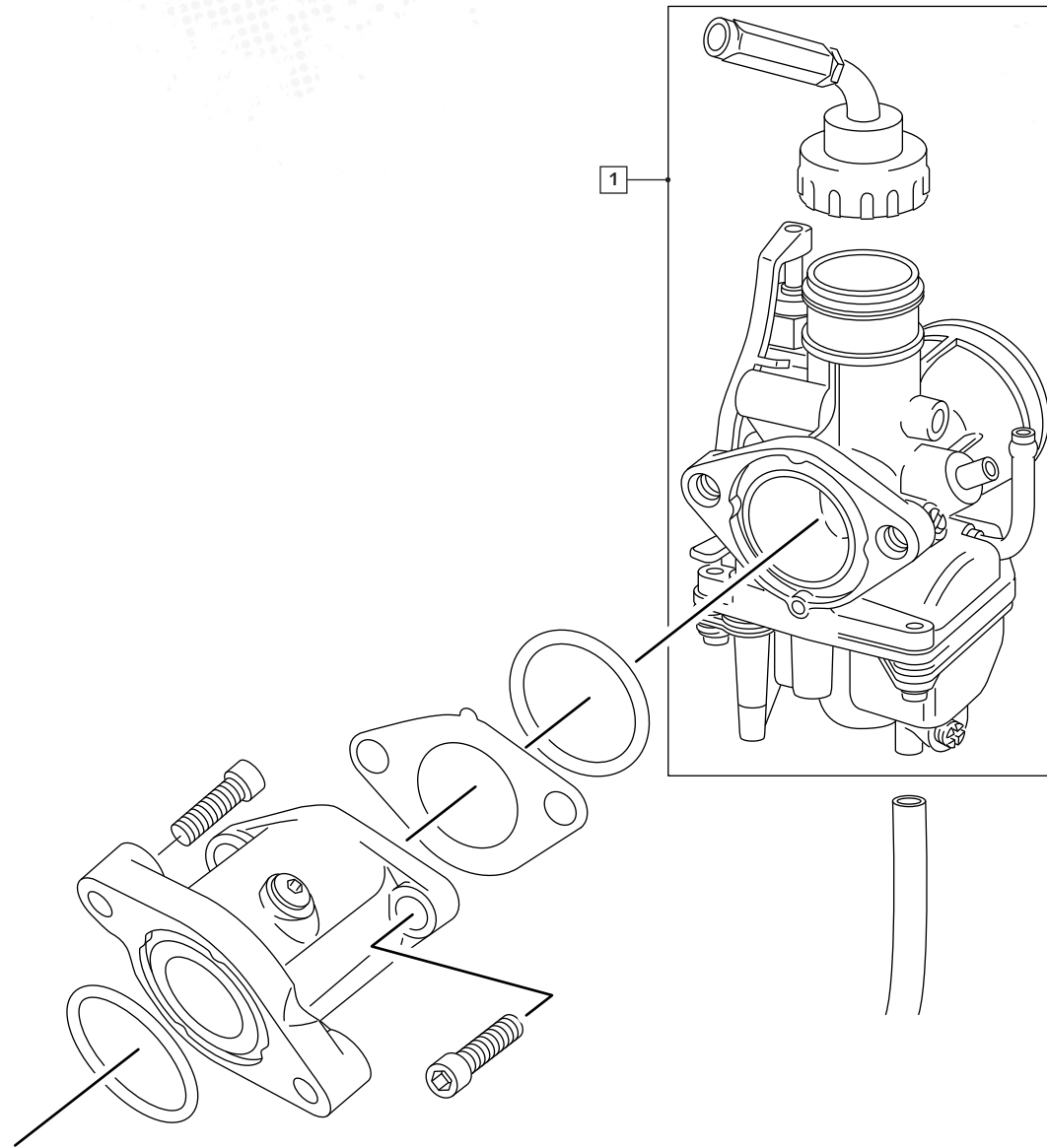




POS.	125	FRANÇAIS	ENGLISH	ESPAÑOL
1	Y915	AXE PRIMAIRE	AXLE MAIN	TEJE PRIMARIO
2	Y936	PIGNON 5TH Z=24	GEAR 5TH PINION	PIÑÓN DE 5
3	Y937	PIGNON 2ND Z=19	GEAR 2ND PINION	PIÑÓN DE 2
4	Y938	PIGNON 3RD Z=19	GEAR 3RD PINION	PIÑÓN DE 3
5	Y939	PIGNON 4TH Z=22	GEAR 4TH PINION	PIÑÓN DE 4
6	Y709	RONDELLE PLATE	WHASHER PLATE	ARANDELA
7	Y710	CIRCLIP	CIRCLIP	CIRCLIP
8	Y942	ROULEMENT	BEARING	RODAMIENTO
9	Y943	ROULEMENT	BEARING	RODAMIENTO
10	Y944	PLAQUE BUTÉE	PLATE COVER	PLACA FIJACIÓN RODAMIENTO
11	Y945	VIS	SCREW PAN HEAD	TORNILLO
12	Y946	ARBRE SECONDAIRE ASSY	DRIVE AXLE ASSY	EJE SECUNDARIO
13	Y947	PIGNON 5TH Z=21	GEAR 5TH WHEEL	RUEDA DE 5
14	Y948	PIGNON 2ND Z=32	GEAR 2ND WHEEL	RUEDA DE 2
15	Y949	PIGNON 3RD Z=25	GEAR 3RD WHEEL	RUEDA DE 3
16	Y709	RONDELLE PLATE	WHASHER PLATE	ARANDELA
17	Y710	CIRCLIP	CIRCLIP	CIRCLIP
18	Y952	PIGNON 4TH Z=23	GEAR 4TH WHEEL	RUEDA DE 4
19	Y953	PIGNON 1ST Z=37	GEAR 1ST WHEEL	RUEDA DE 1
20	Y954	RONDELLE PLATE	WHASHER PLATE	ARANDELA PLANA
21	Y955	CIRCLIP	CIRCLIP	CIRCLIP
22	Y725	RONDELLE PLATE	WHASHER PLATE	ARANDELA PLANA
23	Y957	ROULEMENT	BEARING	RODAMIENTO
24	Y958	JOINT SPI	OIL SEAL	JUNTA SPI
25	Y728	ROULEMENT	BEARING	RODAMIENTO
26	Y729	PIGNON SORTIE DE BOITE 14	SPROCKET DRIVE 14	PIÑÓN SALIDA DENRADO 14
27	Y960	CLIP DE VERROUILLAGE	HOLDER SPROCKET	SOPORTE PIÑÓN
28	Y950	VIS	BOLT FLANGE	TORNILLO
29	Y951	BARRILLET DE SELECTION	SHIFT CAM ASSY	TAMBOR SELECTOR
30	Y733	ETOILE DE SELECTION	SEGMENT	ESTRELLA
31	Y962	PION	PIN DOWEL	PASADOR DE CLAVIJA
32	Y963	VIS	SCREW	TORNILLO







TY 125 4T

