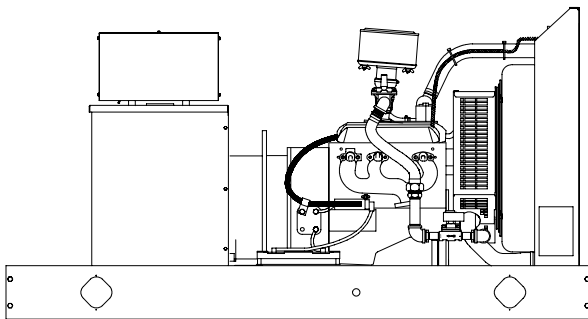




Ratings Range

| | | 60 Hz | 50 Hz |
|----------|-----|-------|-------|
| Standby: | kW | 33-35 | 26-29 |
| | kVA | 33-44 | 26-36 |
| Prime: | kW | 30-33 | 23-26 |
| | kVA | 30-41 | 24-33 |



Standard Features

- Kohler Co. provides one-source responsibility for the generating system and accessories.
- The generator set and its components are prototype-tested, factory-built, and production-tested.
- The 60 Hz generator set offers a UL 2200 listing.
- The generator set accepts rated load in one step.
- A one-year limited warranty covers all systems and components. Two-, five-, and ten-year extended warranties are also available.
- Alternator features:
 - The Fast-Response™ III wound field (WF) design alternator provides excellent voltage response and short-circuit capability using an auxiliary power brushless exciter.
 - The unique Fast-Response™ II excitation system delivers excellent voltage response and short circuit capability using a permanent magnet (PM)-excited alternator.
 - The brushless, rotating-field alternator has broadrange reconnectability.
- Other features:
 - A rugged industrial gas engine delivers rated power at 1800 rpm (60 Hz) and 1500 rpm (50 Hz).
 - Controllers are available for all applications. See controller features inside.
 - The electronic, isochronous governor incorporates an integrated drive-by-wire throttle body actuator delivering precise frequency regulation.

Generator Set Ratings

| Alternator | Voltage | Ph | Hz | Natural Gas | | | | LP Gas | | | |
|------------|---------|----|----|----------------|--------------|----------------|--------------|----------------|--------------|----------------|--------------|
| | | | | 130°C Rise | | 105°C Rise | | 130°C Rise | | 105°C Rise | |
| | | | | Standby Rating | Prime Rating | Standby Rating | Prime Rating | Standby Rating | Prime Rating | Standby Rating | Prime Rating |
| | | | | kW/kVA | Amps | kW/kVA | Amps | kW/kVA | Amps | kW/kVA | Amps |
| 4P5W/4P5 | 120/208 | 3 | 60 | 35/44 | 121 | 33/41 | 115 | 35/44 | 121 | 33/41 | 115 |
| | 127/220 | 3 | 60 | 34/43 | 112 | 32/40 | 105 | 34/43 | 112 | 32/40 | 105 |
| | 120/240 | 3 | 60 | 35/44 | 105 | 33/41 | 99 | 35/44 | 105 | 33/41 | 99 |
| | 120/240 | 1 | 60 | 33/33 | 138 | 30/30 | 125 | 33/33 | 138 | 30/30 | 125 |
| | 139/240 | 3 | 60 | 34/43 | 102 | 31/39 | 93 | 34/43 | 102 | 31/39 | 93 |
| | 220/380 | 3 | 60 | 35/44 | 66 | 32/40 | 61 | 35/44 | 66 | 32/40 | 61 |
| | 277/480 | 3 | 60 | 34/43 | 51 | 31/39 | 47 | 34/43 | 51 | 31/39 | 47 |
| | 347/600 | 3 | 60 | 33/41 | 40 | 30/38 | 36 | 33/41 | 40 | 30/38 | 36 |
| 4P5W/4P5 | 110/190 | 3 | 50 | 27/34 | 103 | 26/32 | 97 | 27/34 | 103 | 26/32 | 97 |
| | 115/200 | 3 | 50 | 26/33 | 95 | 24/30 | 87 | 26/33 | 95 | 24/30 | 87 |
| | 120/208 | 3 | 50 | 26/33 | 92 | 23/29 | 80 | 26/33 | 92 | 23/29 | 80 |
| | 110/220 | 3 | 50 | 29/36 | 94 | 26/33 | 87 | 29/36 | 94 | 26/33 | 87 |
| | 110/220 | 1 | 50 | 26/26 | 118 | 24/24 | 109 | 26/26 | 118 | 24/24 | 109 |
| | 220/380 | 3 | 50 | 27/34 | 52 | 26/32 | 49 | 27/34 | 52 | 26/32 | 49 |
| | 230/400 | 3 | 50 | 26/33 | 48 | 24/30 | 43 | 26/33 | 48 | 24/30 | 43 |
| | 240/416 | 3 | 50 | 26/33 | 46 | 23/29 | 40 | 26/33 | 46 | 23/29 | 40 |

RATINGS: All three-phase units are rated at 0.8 power factor. All single-phase units are rated at 1.0 power factor. *Standby Ratings:* Standby ratings apply to installations served by a reliable utility source. The standby rating is applicable to varying loads for the duration of a power outage. There is no overload capability for this rating. Ratings are in accordance with ISO-3046/1, BS 5514, AS 2789, and DIN 6271. *Prime Power Ratings:* Prime power ratings apply to installations where utility power is unavailable or unreliable. At varying load, the number of generator set operating hours is unlimited. A 10% overload capacity is available for one hour in twelve. Ratings are in accordance with ISO-8528/1, overload power in accordance with ISO-3046/1, BS 5514, AS 2789, and DIN 6271. For limited running time and base load ratings, consult the factory. Obtain the technical information bulletin (TIB-101) on ratings guidelines for the complete ratings definitions. The generator set manufacturer reserves the right to change the design or specifications without notice and without any obligation or liability whatsoever. GENERAL GUIDELINES FOR DERATION: *Altitude:* Derate 1.3% per 100 m (328 ft.) elevation above 200 m (656 ft.). *Temperature:* Derate 3.0% per 10°C (18°F) temperature above 40°C (104°F).

Alternator Specifications

| Specifications | Alternator |
|---|--|
| Manufacturer | Kohler |
| Type | 4-Pole, Rotating-Field |
| Exciter type | |
| Wound field (WF) | Wound Exciter Field with Separate Excitation Power Winding |
| Permanent magnet (PM) | Brushless, Permanent-Magnet |
| Leads: quantity, type | 12, Reconnectable |
| Voltage regulator | Solid State, Volts/Hz |
| Insulation: | NEMA MG1 |
| Material | Class H |
| Temperature rise | 130°C, Standby |
| Bearing: quantity, type | 1, Sealed |
| Coupling | Flexible Disc |
| Amortisseur windings | Full |
| Voltage regulation, no-load to full-load | |
| Wound field (WF) alternator | ±0.25% Average |
| Permanent magnet (PM) alternator | ±2% Average |
| 550 controller (with 0.5% drift due to temperature variation) | 3-Phase Sensing, ±0.25% |
| Unbalanced load capability | 100% of Rated Standby Current |
| One-step load acceptance | 100% of Rating |

- NEMA MG1, IEEE, and ANSI standards compliance for temperature rise and motor starting.
- Sustained short-circuit current of up to 300% of the rated current for up to 10 seconds.
- Sustained short-circuit current enabling downstream circuit breakers to trip without collapsing the alternator field.
- Self-ventilated and dripproof construction.
- Vacuum-impregnated windings with fungus-resistant epoxy varnish for dependability and long life.
- Superior voltage waveform from a two-thirds pitch stator and skewed rotor.
- Fast-Response™ III wound field (WF) brushless alternator with auxiliary power brushless exciter for excellent load response.
- Fast-Response™ II brushless alternator with brushless exciter for excellent load response.

| Specifications | Alternator |
|---------------------------------|------------------------------|
| Peak motor starting kVA: | (35% dip for voltages below) |
| 480 V, 380 V 4P5W/4P5 (12 lead) | 140 (60Hz), 95 (50Hz) |

Application Data

Engine

| Engine Specifications | 60 Hz | 50 Hz |
|--|--|-----------|
| Manufacturer | General Motors | |
| Engine: model, type | Industrial Powertrain Vortec 4.3 L, 4-Cycle Natural Aspiration | |
| Cylinder arrangement | V-6 | |
| Displacement, L (cu. in.) | 4.3 (262) | |
| Bore and stroke, mm (in.) | 101.6 x 88.4 (4.00 x 3.48) | |
| Compression ratio | 9.05:1 | |
| Piston speed, m/min. (ft./min.) | 318 (1044) | 265 (870) |
| Main bearings: quantity, type | 4, Babbitt | |
| Rated rpm | 1800 | 1500 |
| Max. power at rated rpm, kW (HP) | 56 (75) | 44.8 (60) |
| Engine power at standby rating, kW (HP) | 44.8 (60) | 35.8 (48) |
| Cylinder head material | Cast Iron | |
| Piston type and material | High Silicon Aluminum | |
| Crankshaft material | Nodular Iron | |
| Valve (exhaust) material | Forged Steel | |
| Governor type | Electronic | |
| Frequency regulation, no-load to full-load | Isochronous | |
| Frequency regulation, steady state | ±0.5% | |
| Frequency | Field-Convertible | |
| Air cleaner type, all models | Dry | |

Exhaust

| Exhaust System | 60 Hz | 50 Hz |
|---|-------------|-----------|
| Exhaust manifold type | Dry | |
| Exhaust flow at rated kW, m ³ /min. (cfm) | 7.9 (280) | 6.2 (220) |
| Exhaust temperature at rated kW, dry exhaust, °C (°F) | 649 (1200) | |
| Maximum allowable back pressure, kPa (in. Hg) | 10.2 (3.0) | |
| Exhaust outlet size at engine hookup, mm (in.) | 76 (3.0) OD | |

Engine Electrical

| Engine Electrical System | 60 Hz | 50 Hz |
|--|-------------------------|-------|
| Ignition system | Electronic, Distributor | |
| Battery charging alternator: | | |
| Ground (negative/positive) | Negative | |
| Volts (DC) | 12 | |
| Ampere rating | 70 | |
| Starter motor rated voltage (DC) | 12 | |
| Battery, recommended cold cranking amps (CCA): | | |
| Qty., rating for -18°C (0°F) | One, 630 | |
| Battery voltage (DC) | 12 | |

Fuel

| Fuel System | 60 Hz | 50 Hz |
|--|-----------------------|-------|
| Fuel type | LP Gas or Natural Gas | |
| Fuel supply line inlet | 1 NPTF | |
| Natural gas/LPG fuel supply pressure, measured at the generator set fuel inlet downstream of any fuel system equipment accessories, kPa (in. H ₂ O) | 1.74-2.74 (7.0-11.0) | |

| Fuel Composition Limits * | Nat. Gas | LP Gas |
|---|------------|-------------|
| Methane, % by volume | 90 min. | — |
| Ethane, % by volume | 4.0 max. | — |
| Propane, % by volume | 1.0 max. | 85 min. |
| Propene, % by volume | 0.1 max. | 5.0 max. |
| C ₄ and higher, % by volume | 0.3 max. | 2.5 max. |
| Sulfur, ppm mass | 25 max. | |
| Lower heating value, kJ/m ³ (Btu/ft ³), min. | 26.6 (890) | 67.5 (2260) |

* Fuels with other compositions may be acceptable. If your fuel is outside the listed specifications, contact your local distributor for further analysis and advice.

Application Data

Lubrication

| Lubricating System | 60 Hz | 50 Hz |
|---------------------------------------|---------------|-------|
| Type | Full Pressure | |
| Oil pan capacity, L (qt.) | 4.3 (4.5) | |
| Oil pan capacity with filter, L (qt.) | 5.7 (6.0) | |
| Oil filter: quantity, type | 1, Cartridge | |

Cooling

| Radiator System | 60 Hz | 50 Hz |
|--|-------------|-------------|
| Ambient temperature, °C (°F) | 50 (122) | |
| Engine jacket water capacity, L (gal.) | 6.8 (1.8) | |
| Radiator system capacity, including engine, L (gal.) | 18.9 (5.0) | |
| Engine jacket water flow, Lpm (gpm) | 106.0 (28) | 87.1 (23) |
| Heat rejected to cooling water at rated kW, dry exhaust, kW (Btu/min.) | 32.7 (1860) | 29.1 (1656) |
| Water pump type | Centrifugal | |
| Fan diameter, including blades, mm (in.) | 533 (21) | |
| Fan, kWm (HP) | 4.5 (6.0) | 2.6 (3.5) |
| Max. restriction of cooling air, intake and discharge side of radiator, kPa (in. H ₂ O) | 0.125 (0.5) | |

| Remote Radiator System† | 60 Hz | 50 Hz |
|--|--------------|-------|
| Exhaust manifold type | Dry | |
| Connection sizes: | | |
| Water inlet, ID hose, mm (in.) | 44.45 (1.75) | |
| Water outlet, ID hose, mm (in.) | 38.10 (1.50) | |
| Static head allowable above engine, kPa (ft. H ₂ O) | 4.32 (17.0) | |

† Contact your local distributor for cooling system options and specifications based on your specific requirements.

Operation Requirements

| Air Requirements | 60 Hz | 50 Hz |
|---|------------|------------|
| Radiator-cooled cooling air, m ³ /min. (scfm)‡ | 181 (6400) | 136 (4800) |
| Cooling air required for generator set when equipped with city water cooling or remote radiator, based on 14°C (25°F) rise and ambient temperature of 29°C (85°F), m ³ /min. (cfm) | 71 (2500) | 62 (2200) |
| Combustion air, m ³ /min. (cfm) | 2.3 (81) | 1.8 (64) |
| Heat rejected to ambient air: | | |
| Engine, kW (Btu/min.) | 14.2 (810) | 12.5 (710) |
| Alternator, kW (Btu/min.) | 4.7 (270) | 3.9 (220) |

‡ Air density = 1.20 kg/m³ (0.075 lbm/ft³)

| Fuel Consumption | 60 Hz | 50 Hz |
|--|------------------------|------------|
| Natural Gas, m³/hr. (cfh) at % load§ | Standby Ratings | |
| 100% | 15.1 (535) | 11.9 (422) |
| 75% | 12.4 (439) | 9.5 (335) |
| 50% | 9.6 (338) | 7.4 (262) |
| 25% | 7.4 (260) | 5.6 (197) |
| Natural Gas, m³/hr. (cfh) at % load§ | Prime Ratings | |
| 100% | 14.2 (500) | 11.0 (390) |
| 75% | 11.6 (411) | 8.9 (315) |
| 50% | 9.2 (324) | 7.1 (250) |
| 25% | 7.2 (253) | 5.4 (192) |

| LP Gas, m ³ /hr. (cfh) at % load | Standby Ratings | |
|---|-----------------|-----------|
| 100% | 5.7 (202) | 4.7 (167) |
| 75% | 4.6 (161) | 3.8 (133) |
| 50% | 3.5 (125) | 2.9 (103) |
| 25% | 2.7 (94) | 2.2 (77) |

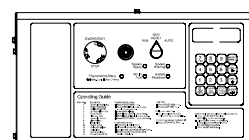
| LP Gas, m ³ /hr. (cfh) at % load | Prime Ratings | |
|---|---------------|-----------|
| 100% | 5.3 (187) | 4.4 (155) |
| 75% | 4.3 (151) | 3.5 (125) |
| 50% | 3.4 (119) | 2.8 (98) |
| 25% | 2.6 (91) | 2.1 (75) |

§ Fuel consumption is based on 1015 Btu/standard cu. ft. natural gas.

LP vapor conversion factors:

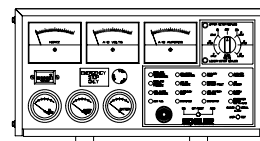
8.58 ft.³ = 1 lb.
0.535 m³ = 1 kg.
36.39 ft.³ = 1 gal.

Controllers



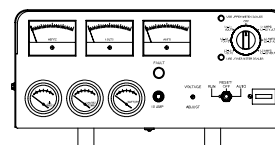
Decision-Maker™ 550 Controller

Audiovisual annunciation with NFPA 110 Level 1 capability. Programmable microprocessor logic and digital display features. Alternator safeguard circuit protection. 12- or 24-volt engine electrical system capability. Remote start, remote annunciation, and remote communication options. Refer to G6-46 for additional controller features and accessories.



Decision-Maker™ 3+, 16-Light Controller

Audiovisual annunciation with NFPA 110 Level 1 capability. Microprocessor logic, AC meters, and engine gauge features. 12- or 24-volt engine electrical system capability. Remote start, prime power, and remote annunciation options. Refer to G6-30 for additional controller features and accessories.



Decision-Maker™ 1 Controller

Single-light annunciation and basic controls with NFPA capability. Relay logic, AC meters, and engine gauge features. 12-volt engine electrical system capability only. Remote or automatic start options. Refer to G6-29 for additional controller features and accessories. **Note:** Not available with 600-volt alternator.

Additional Standard Features

- Alternator Protection (standard with 550 controller)
- Battery Rack and Cables
- Electronic, Isochronous Governor
- Gas Fuel System (includes fuel mixer, secondary gas regulator, gas solenoid valve, and flexible fuel line between the engine and the skid-mounted fuel system components)
- Integral Vibration Isolation
- Oil Drain Extension
- Operation and Installation Literature

Available Accessories

Enclosed Unit

- Sound Enclosure (with enclosed critical silencer)
- Weather Enclosure (with enclosed critical silencer)
- Weather Housing (with roof-mounted silencer)

Open Unit

- Exhaust Silencer, Critical (kits: PA-324468, PA-352663)
- Flexible Exhaust Connector, Stainless Steel

Cooling System

- Block Heater
[recommended for ambient temperatures below 10°C (50°F)]
- City Water Cooling
- Radiator Duct Flange
- Remote Radiator Cooling

Fuel System

- Automatic Changeover (natural gas to LP gas)
- Flexible Fuel Line
(required when the generator set skid is spring mounted)
- Gas Filter
- LP Gas Liquid Withdrawal
- Manual Valve and Gas Solenoid Bypass
- Secondary Gas Solenoid Valve

Electrical System

- Battery
- Battery Charger, Equalize/Float Type
- Battery Heater

Engine and Alternator

- Alternator, Wound Field (WF)
- Alternator, Permanent Magnet (PM)
- Air Cleaner Restrictor Indicator
- Alternator Strip Heater
- CSA Certification
- Engine Fluids (oil and coolant) Added
- Line Circuit Breaker (NEMA1 enclosure)
- Line Circuit Breaker with Shunt Trip (NEMA1 enclosure)
- Optional Alternators
- Rated Power Factor Testing
- Rodent Guards
- Safeguard Breaker (not available with 550 controller)
- Skid End Caps
- Voltage Regulation, 1%
- Voltage Regulator Sensing, 3-Phase

Literature and Maintenance

- General Maintenance Literature Kit
- Maintenance Kit (includes standard air, oil, and fuel filters)
- NFPA 110 Literature
- Overhaul Literature Kit
- Production Literature Kit

Controller (550 and 16-Light)

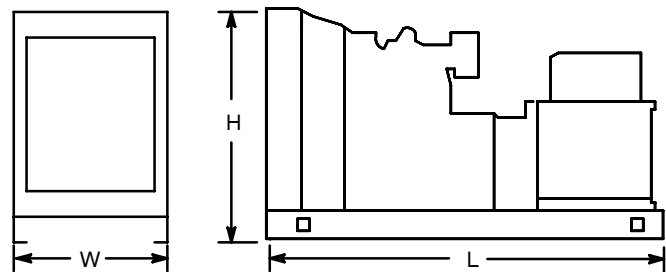
- Common Failure Relay Kit
- Communication Products and PC Software (550 controller only)
- Customer Connection Kit
- Dry Contact Kit (isolated alarm)
- Engine Prealarm Sender Kit
- Local Emergency Stop Kit
- Prime Power Switch (550 controller only)
- Remote Annunciator Panel
- Remote Audiovisual Alarm Panel
- Remote Emergency Stop Kit
- Remote Mounting Cable
- Run Relay Kit

Miscellaneous Accessories

- _____
- _____
- _____
- _____
- _____
- _____
- _____
- _____

Dimensions and Weights

Overall Size, L x W x H, mm (in.):
 Wide Skid 2200 x 1040 x 1172 (86.6 x 40.9 x 46.1)
 Narrow Skid 2200 x 865 x 1172 (86.6 x 34.0 x 46.1)
 Weight (radiator model), wet, kg (lb.): 556 (1225)



NOTE: This drawing is provided for reference only and should not be used for planning installation. Contact your local distributor for more detailed information.

DISTRIBUTED BY: