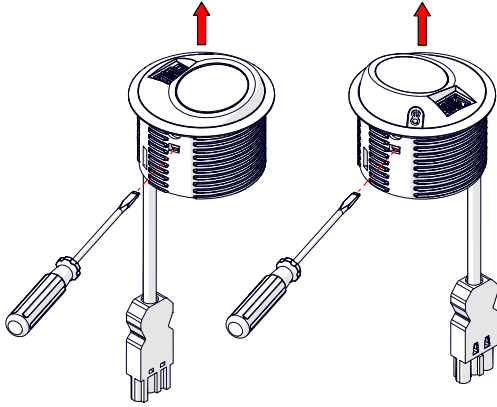
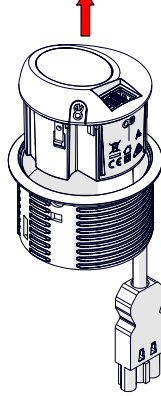


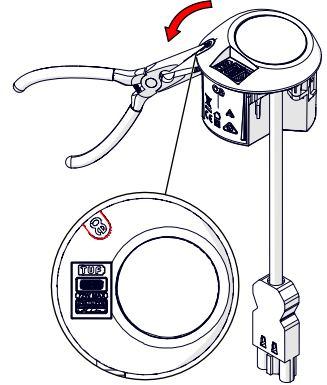
1 Press in clip on both sides to remove the grommet



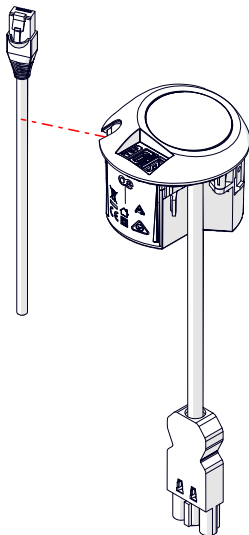
2 Remove Pixel from the grommet



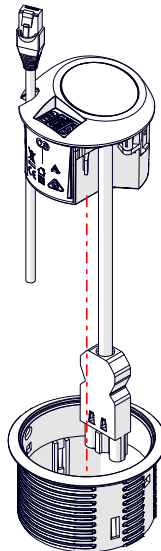
3 Remove break out section



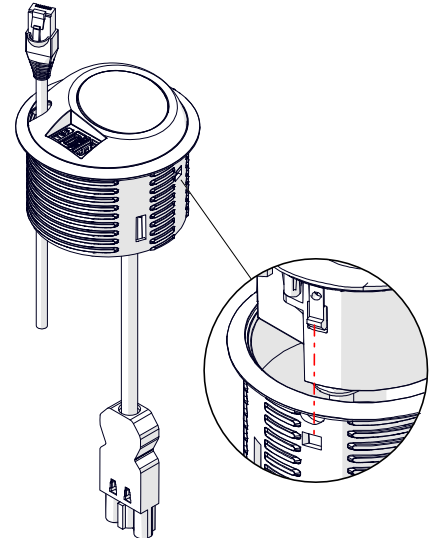
4 Fit data cable into slot



5 Feed all cables into the grommet



6 Align grommet and snap into place



7

