

Electric Bicycle User Manual



Read Carefully Before Use
Keep for Future Reference

CONTENTS

Safety Information	1
Specifications	2
Package List	3
Product Diagram	4
Overview.....	4
Handlebars	4
Control Buttons.....	5
Display Panel.....	5
Assembly	6
Handlebars	6
Front Wheel	7
Front Brake Caliper	8
Front Fender and Rack.....	9
Front Light	10
Pedals.....	10
Saddle	11
Operation	12
Pedal Assist Control	12
Throttle Control.....	13
Push Assist Control	14
Manual Control	14
Adjustment	15
Charging	21
Maintenance	22
Troubleshooting	23
Disposal	24
Contact Information	24

Safety Information

Warning!

- Assemble and adjust this bicycle **ONLY** in accordance with these instructions. Read them completely prior to assembly and use. Contact customer service if any point is unclear. Provide this manual to anyone who will use this bicycle and provide it with this bicycle (whether already assembled or not) if it is ever given or sold to a third party. Failure to follow these instructions may lead to serious personal injury and property damage, possibly including death.
- **ALWAYS** obey all applicable local and national laws and regulations while riding. Do not ride this bicycle in any area prohibited to electric bicycles. Always wear your helmet and other required protective gear. Always maintain your reflectors and other required safety equipment.
- Check whether the brakes function well using the brake levers **BEFORE** riding. Even after power is cut to the motor, the inertia of the bike will often require active braking power.
- **ALWAYS** ensure all fasteners and components are intact and securely tightened before and after every use.
- **DO NOT** ride this bicycle if any part is damaged or shows any sign of malfunction. Repair or replace worn and broken components before further use. Never replace any parts with nonidentical ones.
- **DO NOT** allow children or persons unfamiliar with this bicycle or these instructions to operate it. Do not ride it while you are tired or under the influence of drug or medication.
- **DO NOT** wear loose footwear or clothing that may become caught in the wheels or any other moving parts.
- Pay attention to your remaining power before setting out and during use. Recharge your battery as needed to ensure it never runs out of power at a moment where you are taken by surprise.
- It is recommended that you not ride your bike fast when getting started. This can be ensured by setting the bike's top speed low until you are fully familiar with your new electric bike and its controls.
- **ALWAYS** be alert for people, animals, or any obstacles that may appear in front of you while riding your bicycle. Be aware that pedestrians and drivers may not expect the speed or responsiveness of your bike. Adjust your behavior accordingly. It is advisable to install warning devices to draw their attention, but always be ready to turn safely out of their way if needed. Do not focus on the display panel for extended periods of time while riding.
- **NEVER** ride at a speed where your stopping distance exceeds your visibility. We do not recommend that you ride your bicycle at night or in an environment with poor visibility. If you have an emergency that makes it necessary to do so, keep your light on and limit your speed appropriately.
- **NEVER** use the throttle or pedal assist system (PAS) in any situation, road condition, or terrain where doing so might impair your control of your bicycle.
- **DO NOT** load this bicycle with more than 264 pounds (120 kilograms).
- **NEVER** adjust P2, P4, P5, Pb, PC, or Pd in the display menus. Adjustment of these parameters should only be made when using the display panel with other motorized wheels of differing voltage, diameter, or magnetic arrangement. In any other case, any adjustment of these parameters should be undone **IMMEDIATELY**. Restore the original settings before any further use of this bicycle.

- **ALWAYS** avoid direct pressurized spray that might allow the interior of the battery, display panel, front and rear lights, and other electronic components to become wet. If the interior of the battery accidentally becomes wet, replace it with a new identical one. For the other electronic parts, wait for them to completely dry before any further use.
- **ALWAYS** fully disconnect the battery from this bicycle between uses and before any cleaning, servicing, and storage.
- **NEVER** place the battery near heat sources or explosive or flammable gases. Never expose it to radiation or excessive pressure. Only charge the battery in locations with an ambient temperature between 32° and 110°F (0°–45°C).
- **NEVER** modify the battery or charger. Only use the provided charger with this bicycle. Never get the charger wet or operate it with wet hands.
- If the battery is ever damaged, avoid all contact with it or any leaking fluid. Remove contaminated clothing and flush with copious amounts of water if contact accidentally occurs with the skin. If contact accidentally occurs with the eyes, **IMMEDIATELY** flush them with copious amounts of water for at least 15 minutes while seeking medical attention.

Specifications

Motor Power		500 W	
Wheel Diameter		26 in. ("P4"=26)	66 cm
Magnet Arrangement	Speed Sensor	6 Alnico Magnets ("P5"=06)	
	Pedal Assist Sensor	12 Alnico Magnets ("Pb"=12)	
Battery	Type	48V Lithium ("P2"=48)	
	Weatherproofing	IP65	
	Operational Temp. Range	-4 to 140°F	-20 to 60°C
	Charging Temp. Range	32 to 110°F	0 to 45°C
	Optimal Storage Temp. Range	50 to 86°F	10 to 30°C
Display Panel	Weatherproofing	IPX6	
Front Light	Weatherproofing	IPX6	
Rear Light	Weatherproofing	IPX7	
Control Hardware	Current Limit	20 A ("PC"=20)	
	Undervoltage Lockout	40 V ("Pd"=40.0)	
Est. Operational Range	Throttle Control	40 mi.*	64 km*
	PAS Control	80 mi.**	128 km**
Max. Speed		20 mph***	32 km/h***
Rider Height Range		5–6.2 ft.	155–190 cm
Weight Capacity		264 lb.	120 kg

* Based on a 154 lb. or 70 kg load at full power and at full legal speed on actual roads.

** Based on a 154 lb. or 70 kg load at PAS Level 3 on actual roads.

*** Based on unloaded wheel rotation at full power without friction. True maximum speed will vary according to variables such as battery strength and load but should remain ± 1 mph of the preset value.

Package List



Item	Name	Qty.
A	Handlebars with Control Buttons, Display Panel, Gear Shifter, & Throttle	1
B	Front Brake Caliper	1
C	Front Light	1
D	Main Frame with Battery, Chain, Control Hardware, Crankset, Kickstand, Motorized Rear Wheel, Rear Derailleur, & Rear Light	1
E	Front Fender with Stay	1
F	Front Wheel	1
G	Saddle	1
H	Front Rack	1
I	Pedals	2
J	Tool Kit (M4 & M5 Hex Wrenches and 8×10 & 13×15 mm Wrenches)	1
K	Charger	1
L	Keys	2

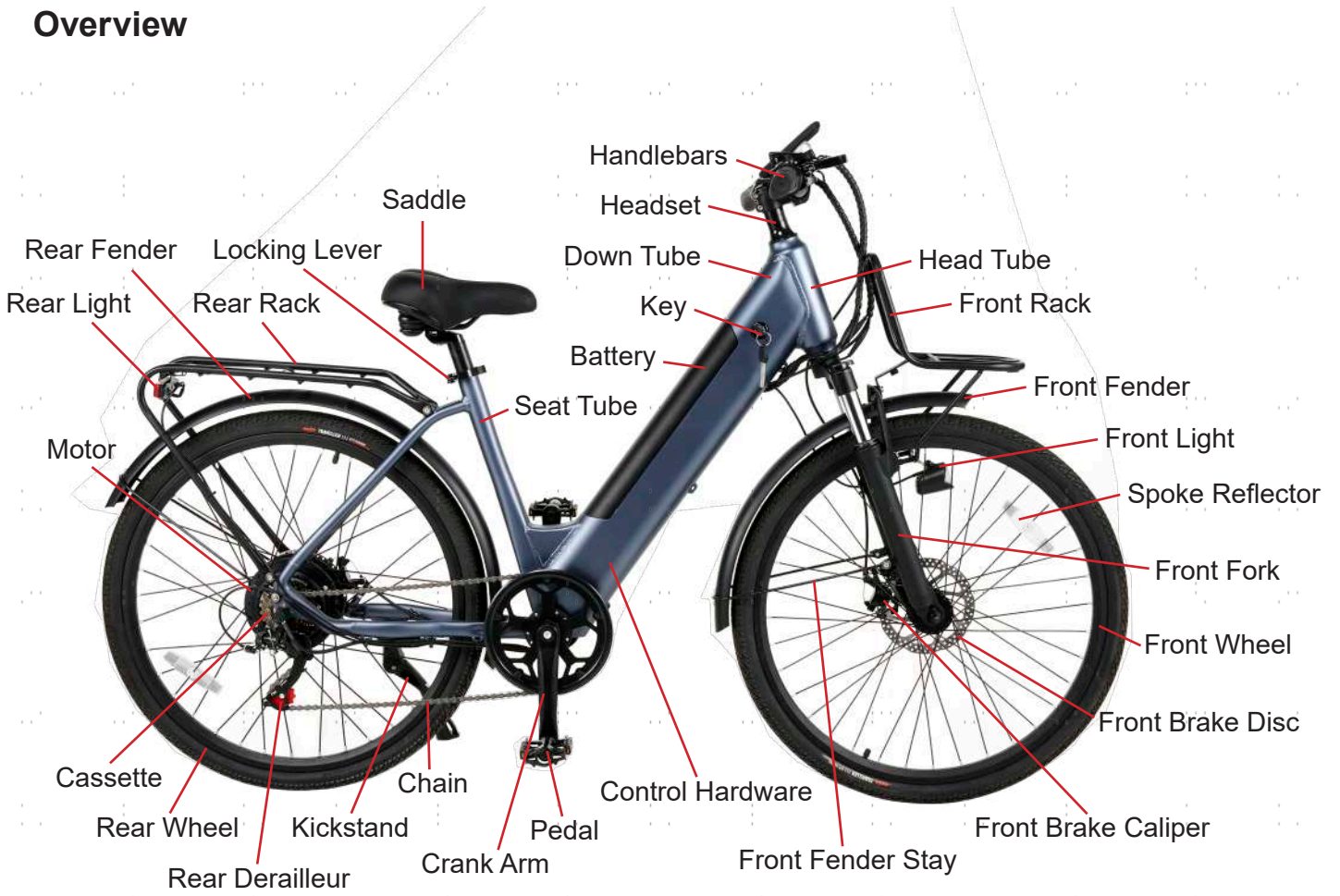
Not Included but Helpful:

- Bike Floor Stand
- Phillips Screwdriver

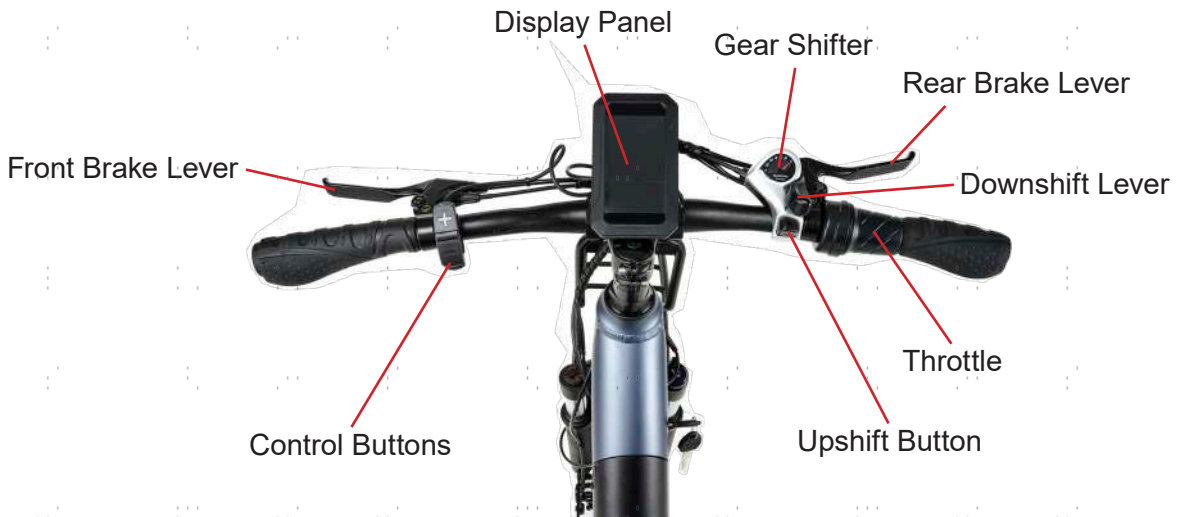
When you first get your new electric bicycle, carefully unpack all the above components and accessories. Check that nothing is missing or has been damaged in transit. Keep children away from the packaging or provide constant supervision. Storing your original packaging through the warranty period will speed returns if any are needed.

Product Diagram

Overview



Handlebars



Control Buttons

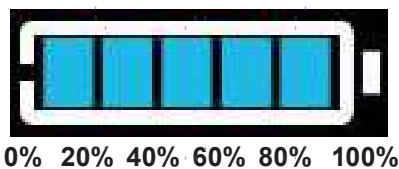


- +**: Increases the pedal assist level or toggles values up
- : Decreases the pedal assist level, turns off the motor, or toggles values down when pressed. Operates push assist control when held
- i**: Toggles the variable display
- ☾**: Turns the front and rear lights on and off
- ⏻**: Turns the display panel on and off

Display Panel



The battery display at the top left corner shows your remaining battery power level.




The number in the middle area is the current speed in mph or km/h or an error code.

The number above “PAS” is the current pedal assist level.

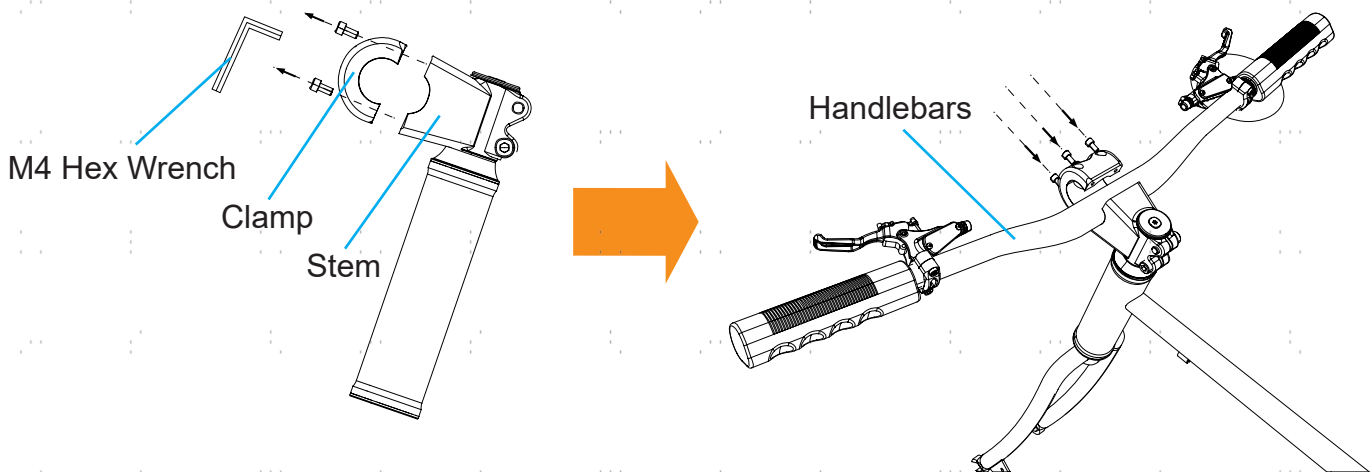
The number in the bottom area is a variable display that may show your total distance traveled (ODO), your current trip distance (TRIP), the maximum speed in your current trip (MAX), and the average speed in your current trip (AVG).

☾ is displayed when the front and rear lights are on.

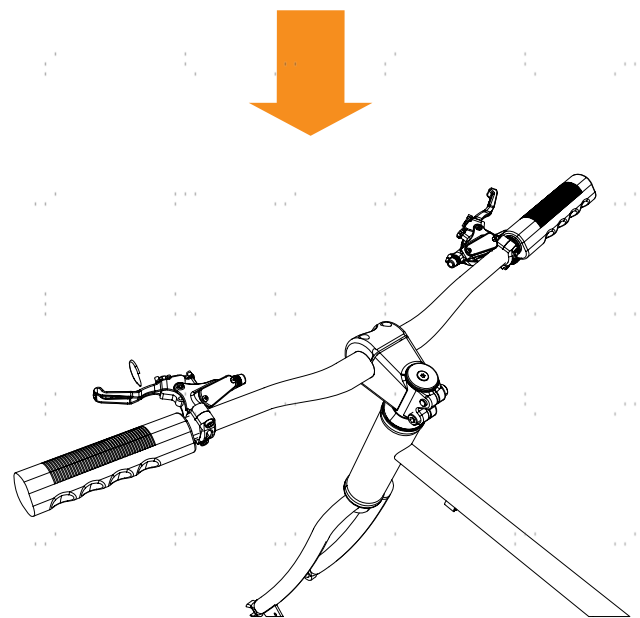
Assembly

 Wear hand and eye protection during assembly to prevent accidents.

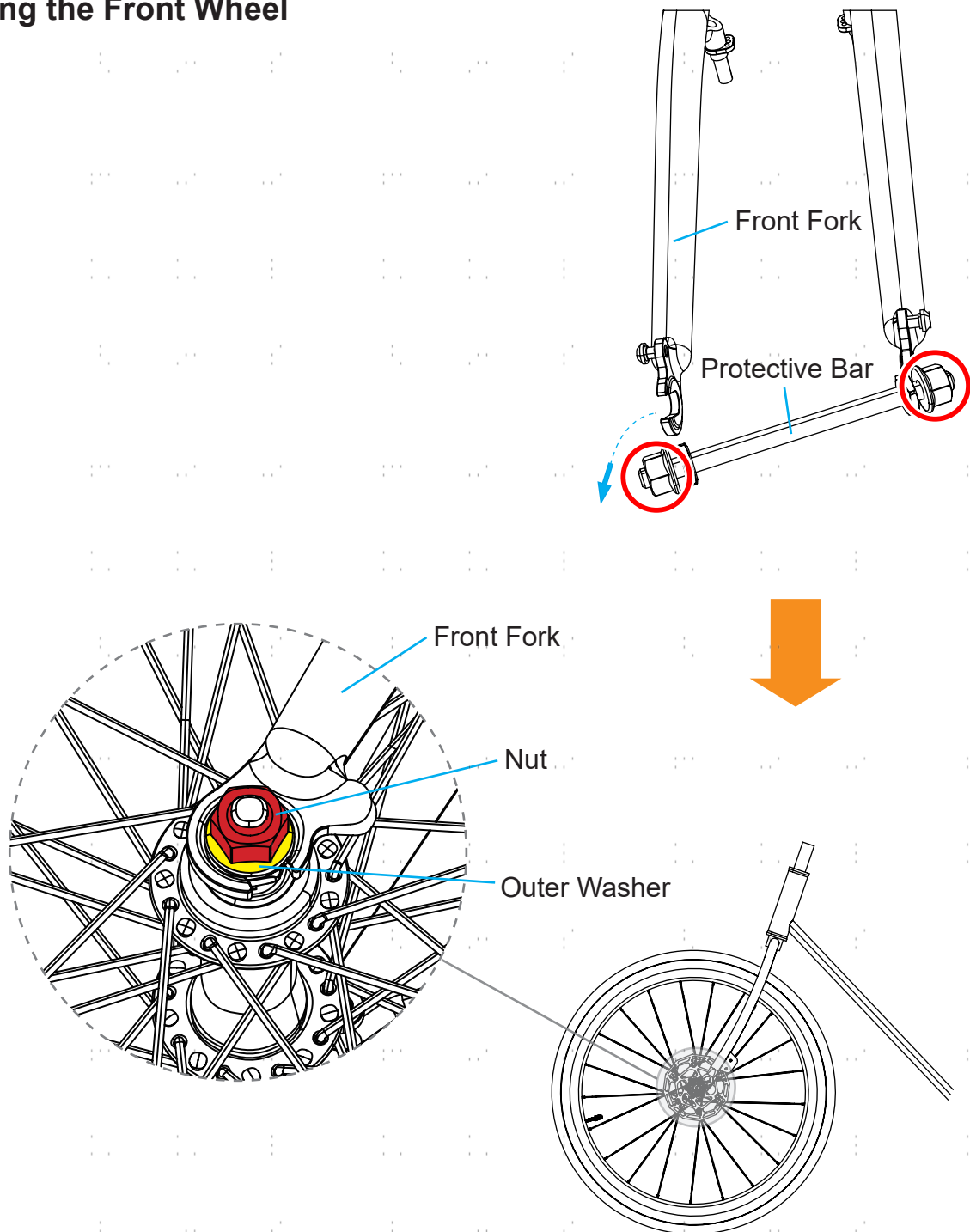
Installing the Handlebars



1. Place the main frame (D) with the preinstalled motorized rear wheel vertically on firm level ground. For best results, secure the frame with a bike floor stand (not included) or similar device.
2. Rotate the front fork until the stem of the headset faces forward.
3. Remove the 4 bolts from the stem using the M4 hex wrench from the tool kit (J) and disconnect the connecting plate from it.
4. Fit the handlebars (A) onto the stem and replace the connecting plate.
5. While holding the connecting plate against the handlebars, replace and tighten the removed bolts to secure the handlebars in place.

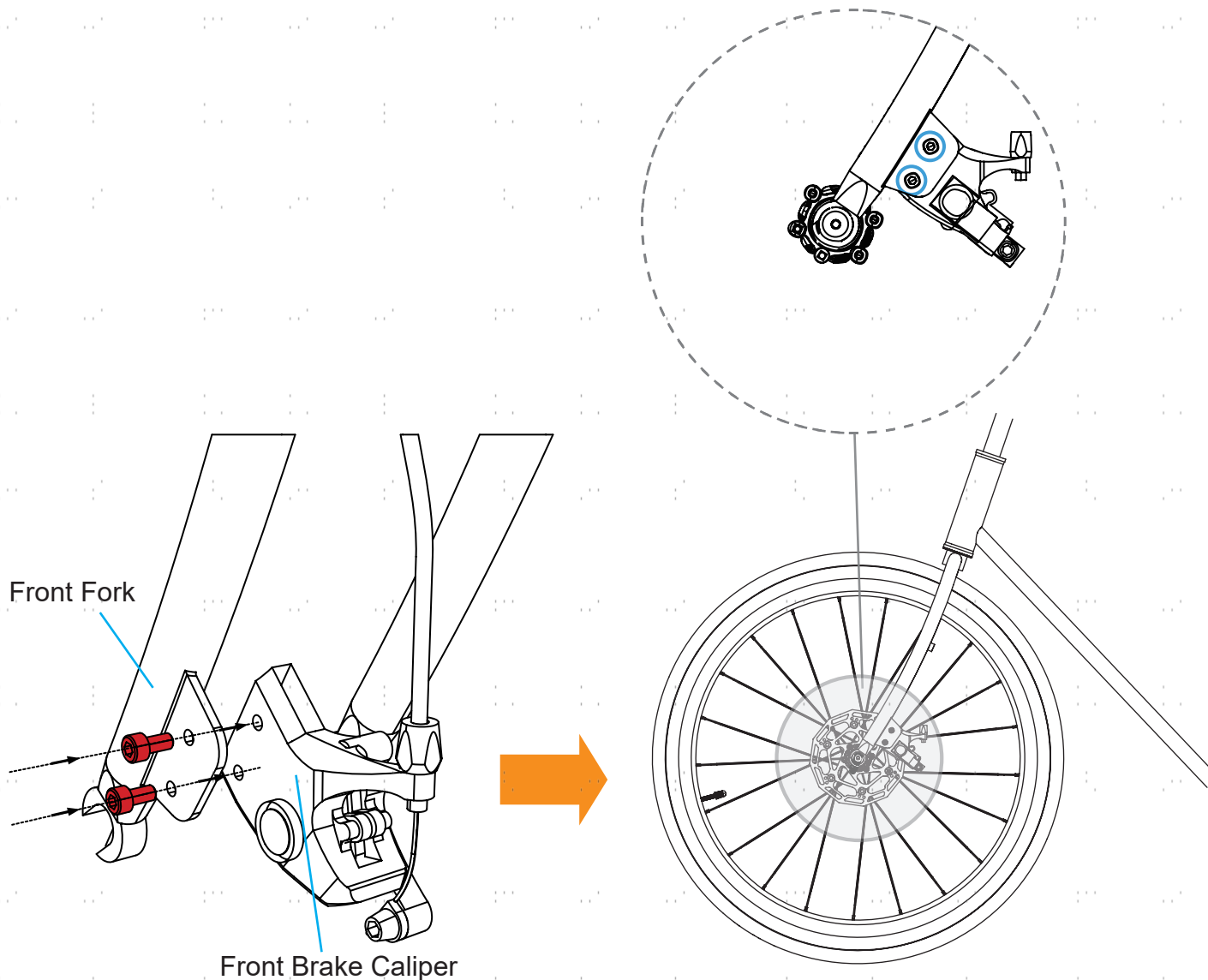


Installing the Front Wheel



1. Remove the nuts from the front fork's tips using the provided 13×15 mm wrench and disconnect the protective bar from the fork.
2. Remove the nuts and outer washers from both sides of the axle on the front wheel (F) by hand. Place them nearby and leave the inner washers on the wheel.
3. Fit the front wheel into the front fork, placing the preinstalled front brake disc at the left side and allowing its axle to be snugly held.
4. Replace one set of the removed washer and nut to either side of the axle, partially tightening the nut by hand.
5. Align the slots at the other side and replace the remaining washer and nut.
6. Tighten both of the nuts completely with the 13×15 mm wrench to lock everything above in place.

Installing the Front Brake Caliper

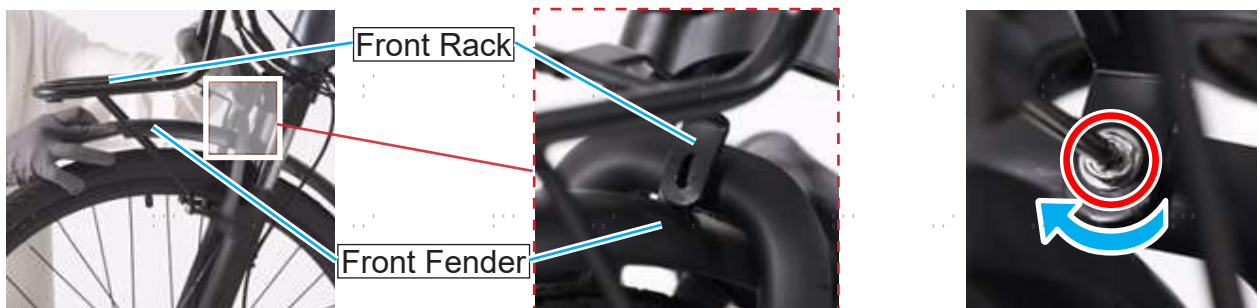


1. Remove the two bolts from the front brake caliper (B) by hand. Place them nearby.
2. Fit the caliper onto its holder on the left side of the front fork.
3. Replace the removed bolts, tightening them with the provided M5 hex wrench to secure the caliper in place.
4. Test that the brake levers and brakes work smoothly and firmly before continuing.

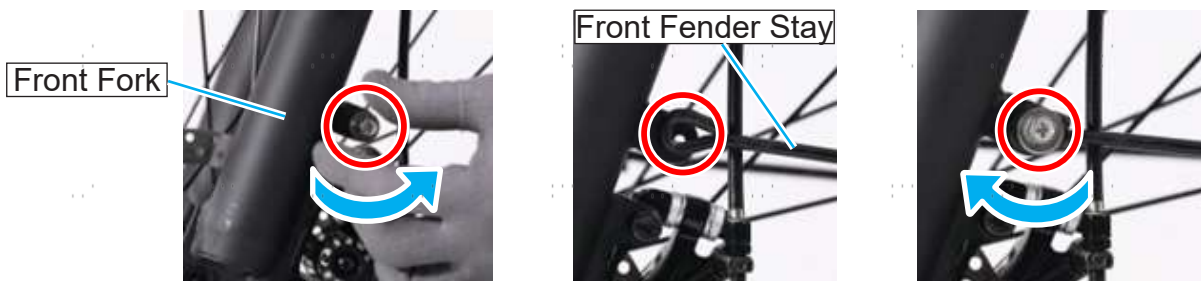
Installing the Front Fender and Rack



1. Unscrew the two bolts from the lower part of the bracket on the front fork using the provided 8×10 mm wrench or a Phillips screwdriver (not included) and then remove their washers. Place them nearby.
2. Place the feet of the front rack (H) onto the bracket, aligning their slots.
3. Replace the removed washers and bolts, tightening the bolts to secure the rack's feet in place.

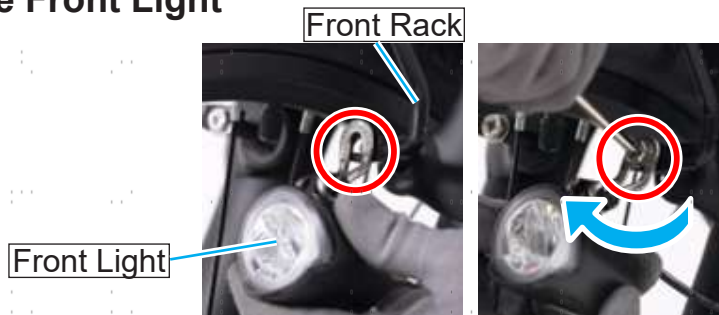


4. Remove the Phillips bolt and washer from the top of the bracket using either tool above. Place them nearby.
5. Fit the front fender (E) above the front wheel, positioning its connecting plate against the top of the bracket and aligning their slots.
6. Turn the front rack upward, positioning its rear part against the connecting plate of the front fender and aligning their slots.
7. Replace the removed washer and bolt, tightening the bolt to secure the rack and fender's upper part in place.



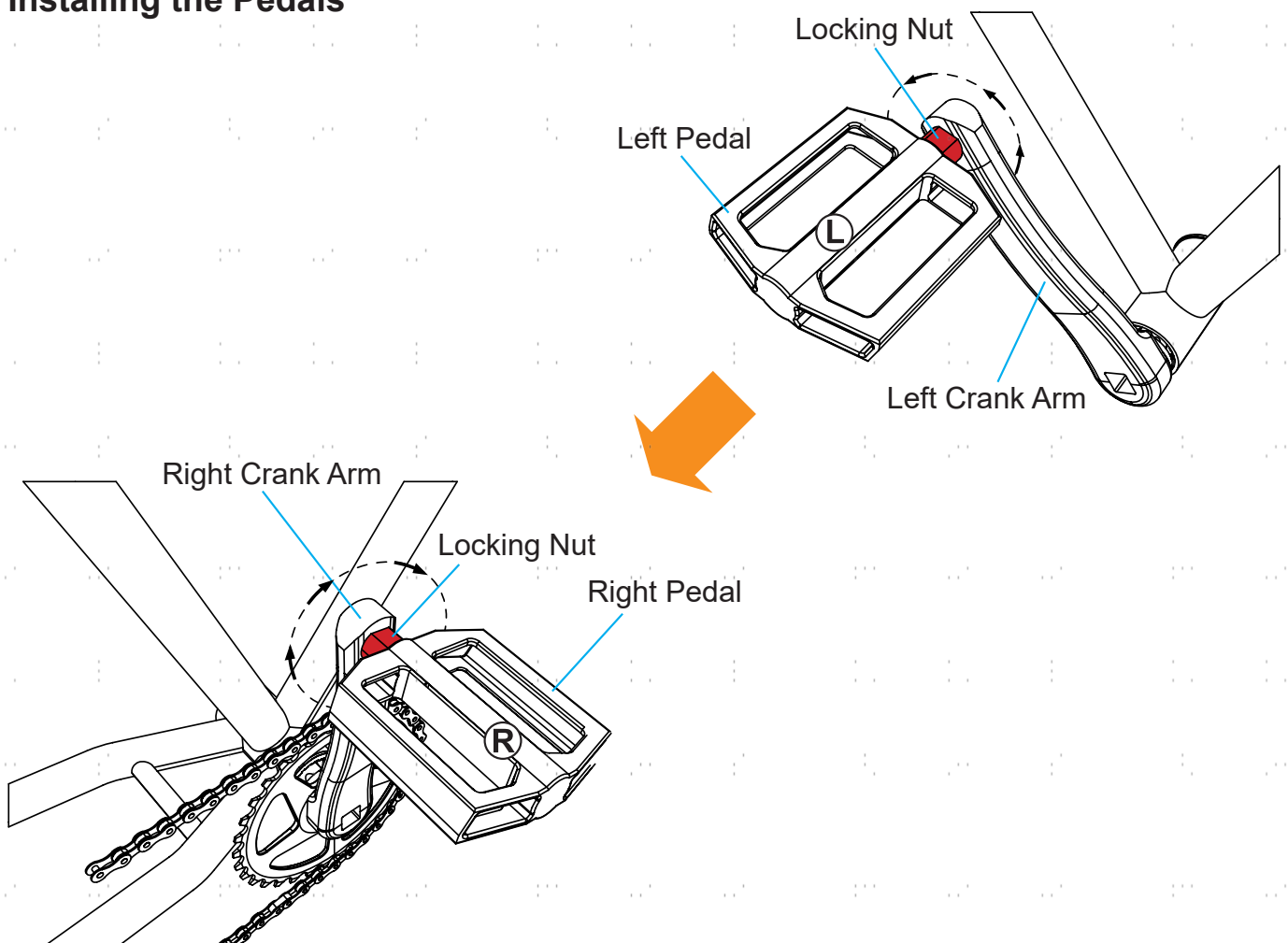
8. Remove the Phillips bolts and washers on the front fork and above the front brake caliper in the same fashion. Place them nearby.
9. Turn the front fender stay, aligning its slots with the fork's and adjusting its shape if needed.
10. Replace the removed washers and bolts, tightening the bolts to secure the fender stay in place so that the front fender is completely locked to the bike frame.

Installing the Front Light



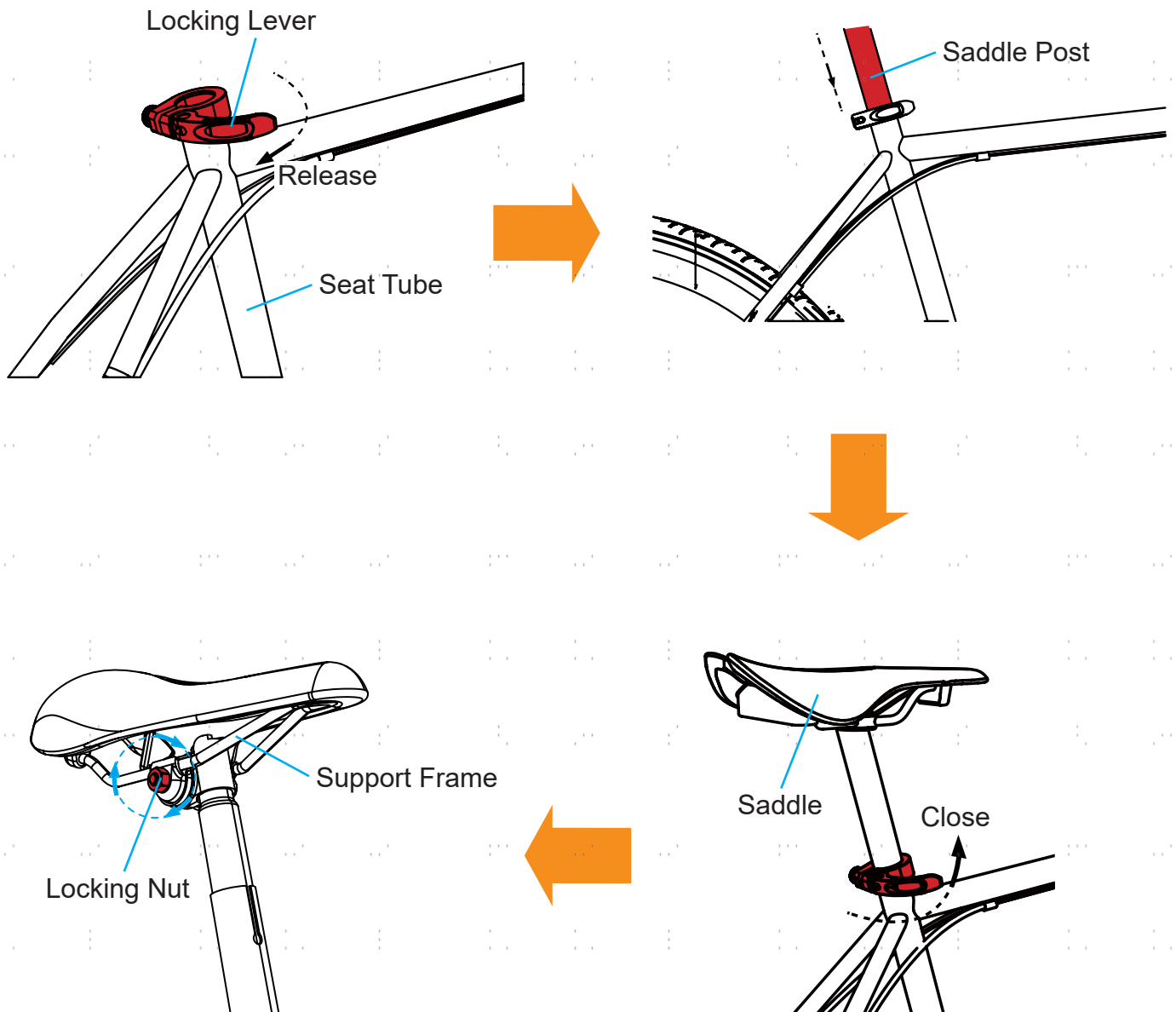
1. Remove the Phillips bolt and washer from either foot of the front rack as above. Place them nearby.
2. Fit the support frame of the front light (C) onto this foot of the rack, aligning their slots as shown.
3. Replace the removed washer and bolt, tightening the bolt to secure the light in place.

Installing the Pedals



1. Identify the separate pedals (I), which **ARE** different and should **NOT** be mixed up. The left pedal is marked with an **L** and the right with an **R**.
2. Attach the left pedal to the left crank arm, turning its locking nut completely counterclockwise with the provided 13×15 mm wrench.
3. Attach the right pedal to the right crank arm, turning its locking nut completely clockwise with the wrench.
4. Test that the pedals are securely fastened and rotate freely.

Installing the Saddle



1. Release the locking lever on the top of the seat tube.
2. Insert the post of the saddle (G) into the seat tube, sliding it to your preferred height.
3. Close the lever to lock the saddle in place as shown.
4. To adjust the saddle forward or backward, loosen the two nuts underneath the saddle using the 13×15mm wrench, slide the saddle on its support frame until your desired position is reached, and retighten the nuts. Confirm they hold tight and the saddle does not show any wobble.

Operation



Your battery was charged at the factory but may have run down during shipping. Check the battery's remaining power for the first use and refill it using the provided charger as described in the Charging section below. If charging fails, reinstall the battery onto your bike, secure it in place with its motorized rear wheel raised, run the motor using the throttle as described below for a while, stop the motor, disconnect the battery, and restart charging.

Pedal Assist Control

When the pedal assist system (PAS) is active, you must use the pedals to keep the motor on but you will enjoy additional speed and strength as you ride. By default, the PAS has five levels and a 20 mph or 32 km/h overall top speed. This top speed can be adjusted by P6. If it is adjusted, the lower levels will run at 37.5%, 53%, 69%, and 84% of the new top speed.

Level	0	1	2	3	4	5
Speed	—	7.5 mph	11 mph	14 mph	17 mph	20 mph
	—	12 km/h	17 km/h	22 km/h	27 km/h	32 km/h
	0%	37.5%	53%	69%	84%	100%

The PAS can also be adjusted to use three, seven, or nine levels instead.

3-Level Speeds:

Level	0	1	2	3
Speed	—	7.5 mph	14 mph	20 mph
	—	12 km/h	22 km/h	32 km/h
	0%	37.5%	69%	100%

7-Level Speeds:

Level	0	1	2	3	4	5	6	7
Speed	—	6 mph	8.4 mph	10.8 mph	13.2 mph	15.6 mph	18 mph	20 mph
	—	9.6 km/h	13.4 km/h	17.3 km/h	21.1 km/h	25 km/h	28.8 km/h	32 km/h
	0%	30%	42%	54%	66%	78%	90%	100%

9-Level Speeds:

Level	0	1	2	3	4	5	6	7	8	9
Speed	—	4 mph	6 mph	8 mph	10 mph	12 mph	14 mph	16 mph	18 mph	20 mph
	—	6.4 km/h	9.6 km/h	12.8 km/h	16 km/h	19.2 km/h	22.4 km/h	25.6 km/h	28.8 km/h	32 km/h
	0%	20%	30%	40%	50%	60%	70%	80%	90%	100%

Note: The above speeds are based on a 154 lb. or 70 kg load on actual roads. True speeds will vary according to variables such as battery strength, load, weather, road conditions, etc.

The bicycle is in neutral when the display panel turns on and displays “0”. Press **+** once to activate the PAS at Level 1. The bicycle will accelerate to the current level (7.5 mph or 12 km/h by default) as soon as the pedals fully turn two times. Press **+** to upshift one level. Press **-** to downshift one level.

The PAS automatically pauses and the motor temporarily shifts to neutral in the following cases:

- You downshift from Level 1 to 0.
- You stop pedaling for too long.
- You press either brake lever.
- Your bicycle accelerates to a speed faster than the current level’s top speed.
- You set the PAS level to 0 or disable the PAS (P8).

When PAS control is available, the PAS reactivates at its previous level once both brakes are released, your speed is at or below the previous level’s top speed, and you resume pedaling.

If you press the throttle lever while PAS is active, the bicycle will activate throttle control and accelerate to its overall top speed. If you turn off the display panel while PAS is active, the PAS will also turn off. The motor will stop and the bicycle will operate manually.

Throttle Control

When the display panel is on and the throttle on the right handlebar is activated, the bicycle acts as a single-speed scooter at its overall top speed (P6). Your bicycle will continue along at this speed while you hold the throttle and do not pedal. Note that some jurisdictions may require throttle control to be fully disabled (P8) on electric bicycles and bicycles that are not registered and licensed as scooters or motorcycles. Confirm that throttle control is legal in your area before use on public roads and bike paths.

Throttle control pauses and the motor temporarily shifts to neutral in the following cases:

- You release the throttle lever completely.
- You press either brake lever.
- Your bicycle accelerates to a speed faster than the overall top speed.
- You disable the throttle from the display panel.

When throttle control is available, the throttle control reactivates once both brake levers are released, your speed is at or below the overall top speed, and you turn the throttle piece.

If you begin pedaling while throttle control is active, the bicycle will activate PAS control instead. If you turn off the display panel while throttle control is active, the motor will stop and the bicycle will only operate manually.

Push Assist Control

The push assist system helps a bit as you push the bicycle while walking or climbing. After the display panel turns on, hold **-** and push your bicycle forward. This will cause the motor to activate at a speed of 3 mph or 5 km/h. Releasing **-** or pressing either brake lever will end this.

Manual Control

To ride your bicycle normally, leave the display panel turned off or remove the battery. (See the Charging section below for how to remove the battery.) You can also ride normally with the display panel turned on by pressing **-** until the motor is put to neutral ("0").

The Shimano thumb shifter uses a button and lever to control the 7 rear cogs, providing 7 gears for manual riding. The larger the number, the smaller the cog and the faster the bike will turn the wheels with the same effort. Press the **+** button to upshift one gear per press. Push the nearby lever away to downshift one gear per click.



ALWAYS be sure your bicycle's crank is turning while using the thumb shifter.

If you have not disabled the PAS and press **+** while the display panel is on, the bicycle will activate PAS control at Level 1. If you have not disabled the throttle and turn the throttle piece while the display panel is on, the bicycle will activate throttle control and accelerate to its overall top speed.

Adjustment

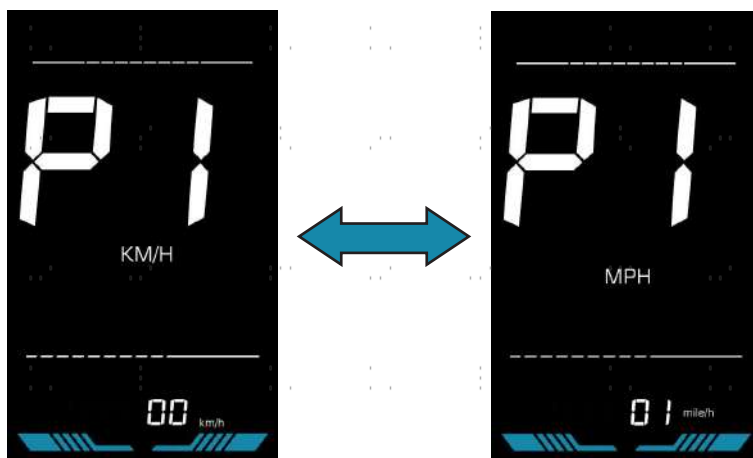
To adjust the bicycle's parameters, turn on the display panel and hold + and - simultaneously to enter the adjustment menus. You will automatically start with Measurement Units (P1). Press + or - to move to the adjacent parameter (PF or P2). For each parameter, press i to allow the settings to be adjusted, use + and - to change the settings, and press i again to save your changes. To leave the adjustment menus, hold i until the panel returns to its main display, saving all current changes as well.

WARNING!

NEVER adjust P2, P4, P5, Pb, PC or Pd using this display panel with this bicycle. P2, PC, and Pd concern details of the electricity coming from the battery. P4 allows adjustment of the compatible wheel diameter. P5 and Pb concern the arrangement of magnets within your motorized wheel and on your PAS sensor. These can be used to modify the display panel to work with other motorized bicycles but changing any of these values during use with this bicycle **WILL** cause it to perform abnormally, malfunction, and/or break. If such adjustment happens accidentally, stop the bicycle **IMMEDIATELY** and **IMMEDIATELY** correct the settings.

Parameter	Value
P2	48
P4	26
P5	06
Pb	12
PC	20
Pd	40.0
16	000

P1 Measurement Units



By default, speeds and distances are displayed in metric units (km and km/h). Press + and - to toggle between this and English customary units (miles and mph). Setting 00 is kilometers and Setting 01 is miles. Note that Setting 01 was activated at the factory for your convenience during the first use, but Setting 00 will activate by default if the factory settings are ever restored.

P2 Battery Voltage

Never adjust this value. If it is ever changed by accident, stop the bicycle and reset it to 48 before continuing on your way.

P3 Power Levels



By default, your PAS operates with 5 power levels (37.5%, 53%, 69%, 84%, and 100%) and can be downshifted to Level 0 (neutral). Press **+** once to disable Level 0 while retaining the 5 power levels, twice to restore Level 0 while toggling to 7 levels (30%, 42%, 54%, 66%, 78%, 90%, and 100%), three times to disable Level 0 while retaining the 7 power levels, four times to restore Level 0 while toggling to 9 levels (20%, 30%, 40%, 50%, 60%, 70%, 80%, 90%, and 100%), and five times to disable Level 0 while retaining the 9 power levels. Press **-** to go back. Pressing **-** from the initial setting will disable Level 0 while toggling to 3 levels (37.5%, 69%, and 100%). Pressing **-** again will restore Level 0 while retaining the 3 power levels.

P4 Wheel Diameter

Never adjust this value. If it is ever changed by accident, stop the bicycle and reset it to 26 before continuing on your way.

P5 Speed Sensor

Never adjust this value. If it is ever changed by accident, stop the bicycle and reset it to 06 before continuing on your way.

P6 Top Speed



By default, your motor has an overall top speed of 20 mph or 32 km/h (Setting 32). P6 controls the throttle speed and the top speed of each PAS level. Press + and - to adjust the value as needed. Settings 01 to 32 control the maximum speed in kilometers per hour. Setting 00 and settings above 32 are equal to 32 km/h. The speeds will vary as below:

Value	00	10	12	14	16	18	20	22	24	26	28	30	≥32
Level 1 (km/h)	12	3.8	4.5	5.3	6	6.8	7.5	8.3	9	9.8	10.5	11.3	12
Level 2 (km/h)	17	5.3	6.4	7.4	8.5	9.5	10.6	11.7	12.7	13.8	14.8	15.9	17
Level 3 (km/h)	22	6.9	8.3	9.7	11	12.4	13.8	15.2	16.6	17.9	19.3	20.7	22
Level 4 (km/h)	27	8.4	10.1	11.8	13.4	15.1	16.8	18.5	20.2	21.8	23.5	25.2	27
Level 5 (km/h)	32	10	12	14	16	18	20	22	24	26	28	30	32

Note that these settings are **ALWAYS** in km/h even when English customary units are used elsewhere. Refer to the following table for mph equivalents.

Value	00	10	12	14	16	18	20	22	24	26	28	30	≥32
Level 1 (mph)	7.5	2.4	2.8	3.3	3.7	4.2	4.7	5.2	5.6	6.1	6.5	7	7.5
Level 2 (mph)	11	3.3	4	4.6	5.3	5.9	6.6	7.3	7.9	8.6	9.2	9.9	11
Level 3 (mph)	14	4.3	5.2	6	6.8	7.7	8.6	9.4	10.3	11.1	12	12.9	14
Level 4 (mph)	17	5.2	6.3	7.3	8.3	9.4	10.4	11.5	12.6	13.5	14.6	15.7	17
Level 5 (mph)	20	6.2	7.5	8.7	9.9	11.2	12.4	13.7	14.9	16.2	17.4	18.6	20

P7 Throttle Start



By default, the throttle instantly activates the bicycle's throttle control. Press + and - to toggle between this and requiring two full rotations of the pedals before throttle control activates. Setting 00 activates instant throttle response and Setting 01 activates a two-rotation start.

P8 PAS or Throttle Disablement



By default, your bicycle offers both PAS and throttle control. Press + and - to toggle among this, enabling the PAS only, and enabling throttle control only. Setting 00 disables throttle control, setting 01 disables PAS control, and setting 02 re-enables both. (To disable both PAS and throttle control, simply leave your battery off or turn off the display panel while riding.)

P9 PAS Sensitivity



By default, your bicycle activates its pedal assist system when you turn the pedals two full rotations while the display panel is on. Press + and - to adjust how quickly you need to turn the pedals to activate the PAS. Lower values require less pedaling and higher values more.

PA PAS Acceleration



By default, your bicycle ramps up the pedal assist speed for its current level smoothly and evenly. Press + and - to fine tune this acceleration to suit your riding style. Lower values accelerate more gradually and higher values more quickly.

Pb PAS Sensor

Never adjust this value. If it is ever changed by accident, stop the bicycle and reset it to 12 before continuing on your way.

PC Maximum Current

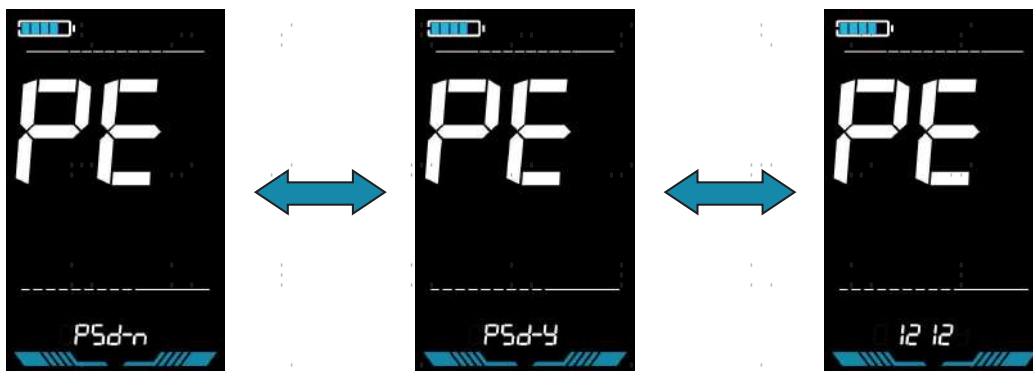
Never adjust this value. If it is ever changed by accident, stop the bicycle and reset it to 20 before continuing on your way.

Pd Minimum Voltage



Never adjust this value. If it is ever changed by accident, stop the bicycle and reset it to 40.0 before continuing on your way.

PE Passwords



By default, password protection is deactivated (“PSd-n”) for your bicycle. To use this protection:

1. Press + or – to toggle to activating password protection (“PSd-y”).
2. Press i again to confirm your change and display the default password (“1212”).
3. To use the default password, hold i to return to the main display.

For a new password, press + and – to adjust the first digit. Press i to confirm the digit and move one place to the right. After entering the last digit, hold i to confirm your changes and return to the main display or press i three times to go back to the first digit for readjustment.

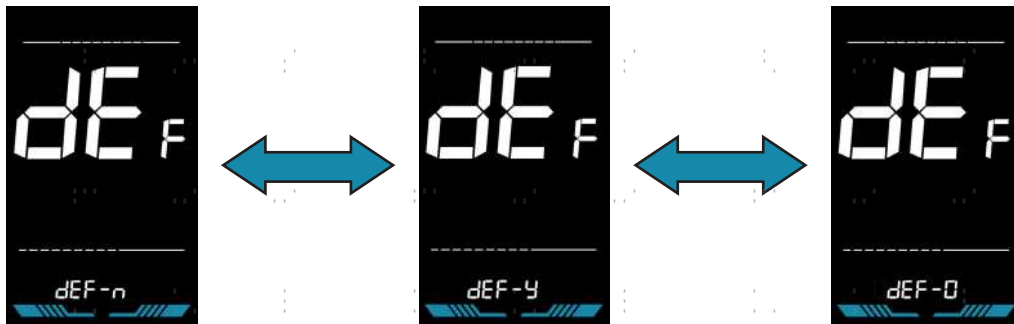
4. Restart the display panel, which should read “PE” on startup. In the lower display, there will be a password field reading “0000”. Enter the default or your new password as described above. If the password is correct, pressing i after entering the fourth digit will unlock the display.
5. To deactivate password protection again, toggle “PSd-y” back to “PSd-n” in the same fashion.



PF Timed Shutoff



By default, your display panel and motor will automatically shut off once your bicycle has stopped moving for 10 minutes (Setting 10). Press + and - to adjust the number of minutes before the display shuts down between 01 and 60. Decreasing this setting to 00 disables the timed shutoff, putting your display panel and motor in standby mode indefinitely when you park your bike.


dEF Factory Reset



If you ever need to undo all of your changes at once and restore the factory settings, turn the display panel on and hold  and + until "dEF" is displayed. Press + or - to toggle from No ("dEF-n") to Yes ("dEF-y") and then press  to begin resetting the system. During this process, "dEF-0" will be displayed. The display panel will return to the main display automatically when the process is over. Remember that the display will now default to km/h settings. Adjust P1 to return to using miles instead.

Trip Odometer Reset



The total distance traveled (ODO) cannot be cleared but the trip odometer (TRIP) can be returned to 0 as needed. Turn the display panel on and hold  and - simultaneously to reset the trip odometer to 00.

Charging

In addition to the handlebar display, your bicycle's current power level can be checked on the battery itself. Hold the power display button and see how many of the battery's indicator lights turn on. 4 lights indicate a full battery, while 1 light indicates a weak one.



When you find that recharging is necessary,

1. Insert either of the keys (L) into the socket on the right side of the down tube, turning it completely clockwise to unlock the battery as shown.



2. While holding the handlebars with one hand, pull the battery out of its compartment with the other hand as shown.



3. Connect the provided charger (K) to the charging port on the left side of the battery and a stable compatible power source. Charging should begin.

Charging Port



4. Periodically check the state of the battery using the power display button. There is no need to fully recharge the battery. Either 3 or 4 lights should provide strong and responsive service. For best results, do not allow the battery to ever drain completely and avoid leaving it connected to power once it is already fully charged.
5. After charging is complete, replace the battery, press its head down until it clicks into place, and remove the key.



Maintenance

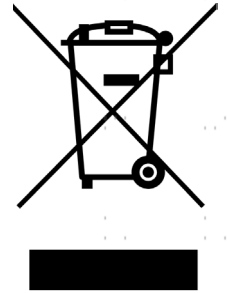
- Always disconnect the battery before undertaking any cleaning, maintenance, or repair. For the longest possible service life, disconnect the battery between uses.
- Check the parts of the bicycle for any looseness, stiffness, wear, or damage after each use. Tighten, lubricate, repair, or replace any problematic parts before further use. Only replace components of this bike and its accessories with identical ones.
- The exterior of the bicycle can be cleaned with a soft damp cloth. Do not use harsh abrasives or caustic chemicals. All electronic components have waterproofing adequate for rain, but avoid direct pressurized spray that might allow the interior of the electronic components to become wet, never charge the battery while it or your hands are wet, and immediately replace the battery if it ever begins to swell or leak fluid.
- If the bicycle will not be used for an extended period of time, remove the battery and store everything in a cool dry place away from direct sunlight and inaccessible to children. Avoid storing electronics in plastic bags, which might allow humidity to build up over time. For best results, check the battery every three months. If its power sinks below $\frac{3}{4}$ (3 of the 4 indicator lights), recharge to at least that full before returning it to storage.

Troubleshooting

Code	Problem	Usual Solutions
E001	Control Hardware Failure	Retighten the appropriate wire connection(s).
		Check the condition of the control hardware. Repair any problematic parts or replace them with new identical ones.
E002	Communication Failure	Restart the display panel.
		Retighten the appropriate wire connection(s).
		Check the condition of the display panel and control hardware. Repair any problematic parts or replace them with new identical ones.
E003	Hall Effect Sensor Fault	Retighten the appropriate wire connection(s).
		Check the motor's hall effect sensor. Repair it or replace it or the motor with a new identical one.
		Check the condition of the control hardware. Repair any problematic parts or replace them with new identical ones.
E004	Throttle Failure	Check the wiring and condition of the throttle and motor. Repair any problematic parts or replace them with new identical ones.
E005	Brake Lever Failure	Check the wiring and condition of the brake levers, lines, calipers, and discs as well as the motorized wheel. Replace any problematic parts with new identical ones.
E006	Motor Failure for Phase Loss	Retighten the appropriate wire connection(s).
		Check the condition of the motor's phase. Repair it or replace it or the motor with a new identical one.
		Check the condition of the control hardware. Repair any problematic parts or replace them with new identical ones.
—	The chain cannot be exactly positioned on the smallest cog at the highest gear (7).	Adjust the high-limit screw (marked H) on the rear derailleur with your Phillips screwdriver until the guide pulley and the smallest cog are lined up.
—	The chain cannot be exactly positioned on the largest cog at the lowest gear (1).	Adjust the low-limit screw (marked L) on the rear derailleur with your Phillips screwdriver until the guide pulley and the largest cog are lined up.

Disposal

Electrical products should not be disposed of with household products. In the EU and UK, according to the European Directive 2012/19/EU for the disposal of electrical and electronic equipment and its implementation in national laws, used electrical products must be collected separately and disposed of at the collection points provided for this purpose. Locations in Australia, Canada, and the United States may have similar regulations. Contact your local authorities or dealer for disposal and recycling advice.



Contact Us

Thank you for choosing our products! If you have any questions or comments, contact us at contact@b2ccsonline.com and we'll resolve your issue ASAP!

For a .pdf copy of the latest version of these instructions, use the appropriate app on your smartphone to scan the QR code to the right.

