



Lighting Designer
Amber Hatcher used SLCB
Lightbars to illuminate the
roof line of the cupolas in this
application.



12VDC ALUMINUM HIGH OUTPUT
WET LOCATION LED LIGHTBAR
PAGE 86



12VDC / 24VDC / 120V Lightbars



12VDC RIGID HIGH OUTPUT
LED LINEAR LIGHTBAR
PAGE 87



24VDC SLIMEDGE™
MODULAR LIGHTBAR
SHOWN WITH OPTIONAL
POWER MODULE
PAGE 88

24VDC LARC6
MODULAR ADJUSTABLE LIGHTBAR
PAGE 90

120V SLCB
LINEAR LED LIGHTBAR
PAGE 92

LTAB-N 12VDC ALUMINUM HIGH OUTPUT WET LOCATION LED LIGHTBAR

12 VOLT

JWET LOCATION

CLASS 2

5 Yr. WARRANTY

ETL Intertek



AVAILABLE COLOR TEMPERATURES

PRODUCT DESCRIPTION

Ideal for outdoor wet bar and commercial kitchen applications. GM Lighting's LTAB-N Series provides high output energy efficient LED lighting in an enclosed sealed aluminum housing. Suitable for installations from -12°F to 120°F. Approved for indoor and outdoor use.

Power supplies are available - see page 154

Dimensioned drawings - see page 96

KEY FEATURES

- Rated at 2W (8"), 4W (16") and 6W (24")
- 2700K, 3500K, 5500K
- 120° viewing angle
- Dimmable - Class 2
- Mounts with 3M VHB™ double stick tape
- Flexible lightbar to lightbar and lightbar to power supply connectors available (see below)
- Available in 8", 16" and 24" nominal lengths (see ordering information for actual length)
- ETL listed
- 5 year warranty

ORDERING INFORMATION

Catalog No.	Length	Wattage	Lumens	Color Temp.*	Finish
LTAB-N-8-27	7-3/4" / 197mm	2W / bar	101 / bar	2700K	Brushed Aluminum
LTAB-N-16-27	15-1/4" / 387mm	4W / bar	203 / bar	2700K	Brushed Aluminum
LTAB-N-24-27	23-5/8" / 600mm	6W / bar	304 / bar	2700K	Brushed Aluminum
LTAB-N-8	7-3/4" / 197mm	2W / bar	101 / bar	3500K	Brushed Aluminum
LTAB-N-16	15-1/4" / 387mm	4W / bar	203 / bar	3500K	Brushed Aluminum
LTAB-N-24	23-5/8" / 600mm	6W / bar	304 / bar	3500K	Brushed Aluminum
LTAB-N-8-PW	7-3/4" / 197mm	2W / bar	101 / bar	5500K	Brushed Aluminum
LTAB-N-16-PW	15-1/4" / 387mm	4W / bar	203 / bar	5500K	Brushed Aluminum
LTAB-N-24-PW	23-5/8" / 600mm	6W / bar	304 / bar	5500K	Brushed Aluminum

This lightbar includes attached 3M double stick mounting tape, (2) plastic mounting clips, (4) stainless steel screws, (1) male plug to seal end of run and 2-way double stick tape for concealing connectors to mounting surface. (1) 24" lightbar to power supply connector (LTW-24-WP) included.

PRODUCT NOTES:

* Kelvin temperature (color) ±100K.

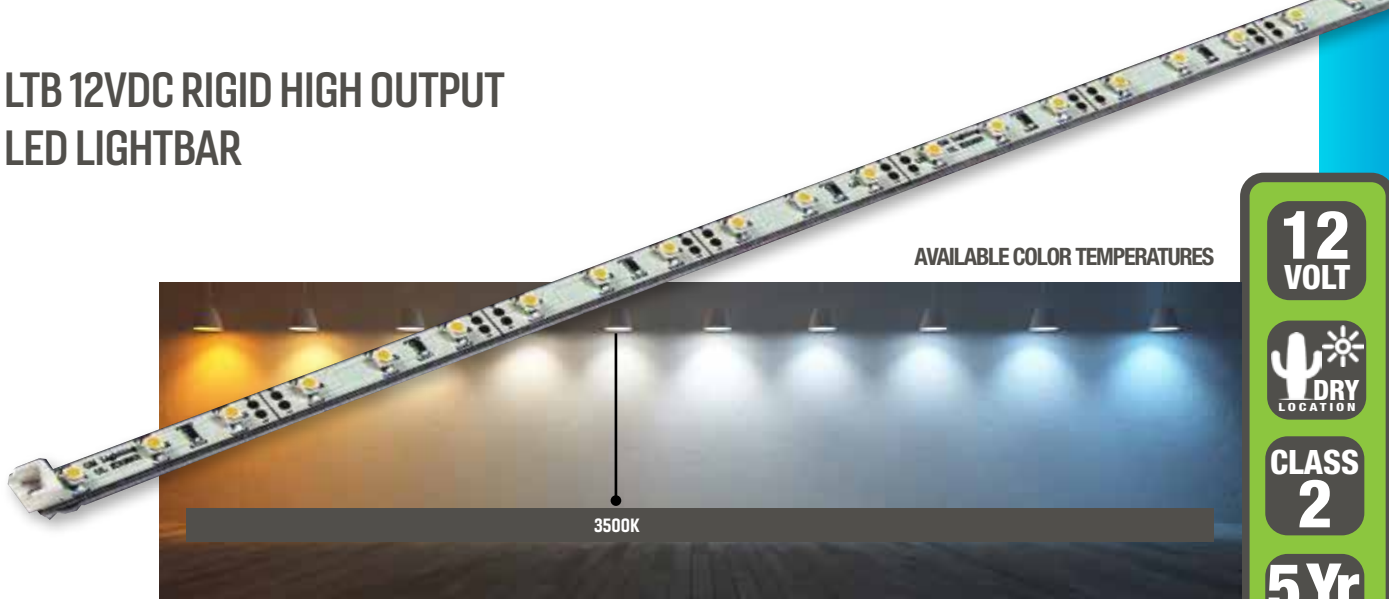
Installation instructions and spec sheet available for download.

View this product and photometrics on www.gmlighting.net

CONNECTORS AND ACCESSORIES

Catalog No.	Description
LTCWP-12	12" flexible lightbar to lightbar connector
LTCWP-24	24" flexible lightbar to lightbar connector
LTCWP-36	36" flexible lightbar to lightbar connector
LTCWP-60	60" flexible lightbar to lightbar connector
LTW-24-WP	24" flexible lightbar to power supply connector
LTW-48-WP	48" flexible lightbar to power supply connector
LTW-60-WP	60" flexible lightbar to power supply connector
LTAB-N-SB	(Pair) of swivel brackets with stainless steel screws
GMSB-W (B)	Splice box - White or Black - 2"L x 1"W x 5/8"D

LTB 12VDC RIGID HIGH OUTPUT LED LIGHTBAR



AVAILABLE COLOR TEMPERATURES

12
VOLT



CLASS
2

5 Yr.
WARRANTY

PRODUCT DESCRIPTION

High output LED lighting for superior lumen performance for a wide variety of lighting applications. GM Lighting's LTB Rigid High Output LED Linear Lightbar Series provides a warm 3500K light source that is easily configurable by utilizing GM Lighting's flexible lightbar to lightbar connectors (below). The LTB Series fixtures are extremely easy to mount with the attached 3M double stick padded mounting tape on the back of each lightbar.

Power supplies are available - see page 154

Dimensioned drawings - see page 96`

KEY FEATURES

- Rated at 2W (8") and 4W (16")
- 3500K
- 120° viewing angle
- Dimmable
- Class 2
- Mounts with 3M VHB™ double stick tape
- Flexible lightbar to lightbar and lightbar to power supply connectors available (see below)
- Available in 8" and 16" nominal lengths (see ordering information for actual length)
- ETL listed
- 5 year warranty

ORDERING INFORMATION

Catalog No.	Length	Wattage	Lumens	Color Temp.*	Finish
LTB-8	7-3/4" / 197mm	2W / bar	132 / bar	3500K	White
LTB-16	15-1/4" / 387mm	4W / bar	264 / bar	3500K	White

This lightbar includes attached 3M double stick mounting tape and (1) lightbar to lightbar power supply connector.

CONNECTORS AND ACCESSORIES

Catalog No.	Description
LTBC-3	3" flexible lightbar to lightbar connector
LTBC-12	12" flexible lightbar to lightbar connector
LTBC-24	24" flexible lightbar to lightbar connector
LTBC-36	36" flexible lightbar to lightbar connector
LTBC-60	60" flexible lightbar to lightbar connector
LTBPC-6	6" flexible lightbar to power supply connector
LTBPC-24	24" flexible lightbar to power supply connector
LTBPC-48	48" flexible lightbar to power supply connector
LTBPC-60	60" flexible lightbar to power supply connector
LTMC	(Pair) mounting clips with 4 screws
GMSB-W (B)	Splice box - White or Black - 2"L x 1"W x 5/8"D

PRODUCT NOTES:

* Kelvin temperature (color) $\pm 100K$.
Installation instructions and spec sheet available for download.
View this product and photometrics on www.gmlighting.net

GM Lighting®

"Lighting Enhanced by Design"

SLIMEDGE™ 24VDC MODULAR LIGHTBAR

24 VOLT

DRY LOCATION

90+ CRI

CLASS 2

5 Yr WARRANTY

ETL Intertek

SlimEdge in White with EDGE-TD-W Power Switch Module



AVAILABLE COLOR TEMPERATURES

PRODUCT DESCRIPTION

Slim Edge™ is a 24VDC architectural LED linear thin lightbar that is the next evolution in undercabinet lighting. Using high-tech Edgelite technology - Slim Edge creates an even luminance while producing a gentle, soft light. 90+ CRI optics that present no diode imaging on polished surfaces. Available in 8", 16", 24" or 32" in white or bronze. Utilizing the wide array of connectors, Slim Edge can be configured to adapt to virtually any application.

Power supplies are available - see page 154

Dimensioned drawings - see page 96

KEY FEATURES

- Rated at 3W (8"), 6W (16"), 10W (24") and 13W (32")
- 2700K and 3000K
- Edgelit technology
- Dimmable (see special dimming note, next page)
- Class 2
- Mounting clips and screws included
- Units join securely together with modular connectors (see next page)
- Available in 8", 16", 24" and 32" lengths
- 5 year warranty

**Diode-Free
EDGELIT
Technology!**

ORDERING INFORMATION

Catalog No.	Length	Wattage	Lumens	Color Temp.*	Finish
EDGE-8-27-W	8" / 203mm	3W / bar	150 / bar	2700K	White
EDGE-16-27-W	16" / 406mm	6W / bar	325 / bar	2700K	White
EDGE-24-27-W	24" / 610mm	10W / bar	550 / bar	2700K	White
EDGE-32-27-W	32" / 1100mm	13W / bar	750 / bar	2700K	White
EDGE-8-27-BZ	8" / 203mm	3W / bar	150 / bar	2700K	Bronze
EDGE-16-27-BZ	16" / 406mm	6W / bar	325 / bar	2700K	Bronze
EDGE-24-27-BZ	24" / 610mm	10W / bar	550 / bar	2700K	Bronze
EDGE-32-27-BZ	32" / 1100mm	13W / bar	750 / bar	2700K	Bronze
EDGE-8-30-W	8" / 203mm	3W / bar	150 / bar	3000K	White
EDGE-16-30-W	16" / 406mm	6W / bar	325 / bar	3000K	White
EDGE-24-30-W	24" / 610mm	10W / bar	550 / bar	3000K	White
EDGE-32-30-W	32" / 1100mm	13W / bar	750 / bar	3000K	White
EDGE-8-30-BZ	8" / 203mm	3W / bar	150 / bar	3000K	Bronze
EDGE-16-30-BZ	16" / 406mm	6W / bar	325 / bar	3000K	Bronze
EDGE-24-30-BZ	24" / 610mm	10W / bar	550 / bar	3000K	Bronze
EDGE-32-30-BZ	32" / 1100mm	13W / bar	750 / bar	3000K	Bronze

Includes (2) mounting clips with screws, (1) lightbar to power supply connector (GMC-PS-24) and (1) rigid bar to bar connector (EDGE-BB-1) included with each lightbar. NOTE: White bar is supplied with white connectors. Bronze bar is supplied with black connectors.

PRODUCT NOTES:

* Kelvin temperature (color) ±100K. Installation instructions and spec sheet available for download. View this product and photometrics on www.gmlighting.net

SLIMEDGE™ 24VDC MODULAR LIGHTBAR CONNECTORS AND ACCESSORIES

SlimEdge in Bronze



See typical SlimEdge undercabinet layouts on Page 93

CONNECTORS AND ACCESSORIES (Available in white or black)

Catalog No.	Description
DPSW-4-W(B)	4" port splitter - White or Black
DPSW-8-W(B)	8" port splitter - White or Black
EDGE-BB-1-B	SlimEdge to SlimEdge bar to bar connector - Black
EDGE-BB-1-W	SlimEdge to SlimEdge bar to bar connector - White
EDGE-90-B	SlimEdge to SlimEdge 90° connector - Black
EDGE-90-W	SlimEdge to SlimEdge 90° connector - White
EDGE-IC-B	SlimEdge to SlimEdge inside corner connector - Black
EDGE-IC-W	SlimEdge to SlimEdge inside corner connector - White
EDGE-TD-B	SlimEdge touch dimmer - Black
EDGE-TD-W	SlimEdge touch dimmer - White
EDGE-MS-B	SlimEdge mechanical switch - on/off - Black
EDGE-MS-W	SlimEdge mechanical switch - on/off - White
GMC-MF-24-W(B)	24" male to female cable connector - White or Black
GMC-MF-39-W(B)	39" male to female cable connector - White or Black
GMC-MF-60-W(B)	60" male to female cable connector - White or Black
GMC-MM-3-W(B)	3" male to male cable connector - White or Black
GMC-MM-6-W(B)	6" male to male cable connector - White or Black
GMC-MM-12-W(B)	12" male to male cable connector - White or Black
GMC-MM-24-W(B)	24" male to male cable connector - White or Black
GMC-MM-39-W(B)	39" male to male cable connector - White or Black
GMC-MM-60-W(B)	60" male to male cable connector - White or Black
GMC-FF-3-W(B)	3" female to female connector - White or Black
GMC-PS-3-W(B)	3" lightbar to power supply connector - White or Black
GMC-PS-24-W(B)	24" lightbar to power supply connector - White or Black
GMC-PS-48-W(B)	48" lightbar to power supply connector - White or Black
GMC-PS-60-W(B)	60" lightbar to power supply connector - White or Black



EDGE-90-W



EDGE-TD-W



EDGE-BB-1-W



EDGE-IC-W



EDGE-MS-W



GMC-MM-6-W

LARC6 24VDC MODULAR ADJUSTABLE LIGHTBAR

24
VOLT



80+
CRI

CLASS
2

5 Yr.
WARRANTY



AVAILABLE COLOR TEMPERATURES



PRODUCT DESCRIPTION

LARC6 24VDC Architectural LED Linear Lightbar is an 8", 16", 24" or 32" white, rigid and unobtrusive (only 3/8" thickness) dimmable LED Lightbar. LARC6 can be interconnected in series from one 24VDC power source. Designed for undercabinet, commercial, architectural and task applications.

Power supplies are available - see page 154

Dimensioned drawings - see page 96

KEY FEATURES

- Rated at 3W (8"), 7W (16"), 10W (24") and 13W (32")
- 3000K
- Dimmable
- Class 2
- Mounting clips and screws included
- Units join securely together with modular connectors (see below)
- Available in 8", 16", 24" and 32" lengths
- 5 year warranty

ORDERING INFORMATION

Catalog No.	Length	Wattage	Lumens	Color Temp*	Finish
LARC6-8-WW-W	8" / 203mm	3W / bar	200 / bar	3000K	White
LARC6-16-WW-W	16" / 406mm	7W / bar	450 / bar	3000K	White
LARC6-24-WW-W	24" / 610 mm	10W / bar	720 / bar	3000K	White
LARC6-32-WW-W	32" / 1100mm	13W / bar	1100 / bar	3000K	White

Includes (2) mounting clips with screws, (1) lightbar to power supply connector (GMC-PS-24-W) and (1) rigid bar to bar connector (LARC6-BB-1-W) included with each lightbar.

CONNECTORS AND ACCESSORIES (Available in white or black)

Catalog No.	Description
DPSW-4-W(B)	4" port splitter - White or Black
DPSW-8-W(B)	8" port splitter - White or Black
GMC-MF-24-W(B)	24" male to female cable connector - White or Black
GMC-MF-39-W(B)	39" male to female cable connector - White or Black
GMC-MF-60-W(B)	60" male to female cable connector - White or Black
GMC-MM-3-W(B)	3" male to male cable connector - White or Black
GMC-MM-6-W(B)	6" male to male cable connector - White or Black
GMC-MM-12-W(B)	12" male to male cable connector - White or Black
GMC-MM-24-W(B)	24" male to male cable connector - White or Black
GMC-MM-39-W(B)	39" male to male cable connector - White or Black
GMC-MM-60-W(B)	60" male to male cable connector - White or Black
GMC-FF-3-W(B)	3" female to female connector - White or Black
GMC-PS-3-W(B)	3" lightbar to power supply connector - White or Black
GMC-PS-24-W(B)	24" lightbar to power supply connector - White or Black
GMC-PS-48-W(B)	48" lightbar to power supply connector - White or Black
GMC-PS-60-W(B)	60" lightbar to power supply connector - White or Black

Catalog No.	Description
LARC6-TD-W	Rigid inline touch dimmer - white
LARC6-MS-W	Inline master power switch - white
LARC6-OS-W	Inline occupancy sensor - white
GMSB-W (B)	Splice box White or Black - 2"L x 1"W x 5/8"D

PRODUCT NOTES:

* Kelvin temperature (color) ±100K.

Installation instructions and spec sheet available for download.

View this product on www.gmlighting.net



SLCB 120V LINEAR LED LIGHTBAR

SLCB shown with conveniently located on/off switch

AVAILABLE COLOR TEMPERATURES



120 VOLT

DRY LOCATION

PLUG & PLAY

5 Yr. WARRANTY

CSA US

PRODUCT DESCRIPTION

An Energy Star compliant fully encapsulated driver-less 120V architectural LED linear lightbar available in 9", 18", 24", 36" or 48" lengths. Rigid and unobtrusive (only 1-3/16" thick), this dimmable LED lightbar utilizes a dense array of strategically placed LEDs. Frosted lens assures an even glow over the length of the fixture.

Dimensioned drawings - see page 96

KEY FEATURES

- Rated at 4W (9"), 7W (18"), 9W (24"), 13W (36") and 17W (48")
- 2700K, 3000K and 4000K
- 120° viewing angle
- Dimmable
- Units join securely together with flexible lightbar to lightbar connectors (see next page)
- Maximum run on a given lead is 50'
- Available in 9", 18", 24", 36" and 48" lengths
- Energy Star listed
- 5 year warranty



ORDERING INFORMATION

Catalog No.	Length	Wattage	Lumens	CRI	Color Temp*
SLCB-9-27-WH	9" / 229mm	4W / bar	183 / bar	90+	2700K
SLCB-18-27-WH	18" / 457mm	7W / bar	366 / bar	90+	2700K
SLCB-24-27-WH	24" / 610mm	9W / bar	489 / bar	90+	2700K
SLCB-36-27-WH	36" / 914mm	13W / bar	732 / bar	90+	2700K
SLCB-48-27-WH	48" / 1219mm	17W / bar	975 / bar	90+	2700K
SLCB-9-30-WH	9" / 229mm	4W / bar	200 / bar	90+	3000K
SLCB-18-30-WH	18" / 457mm	7W / bar	402 / bar	90+	3000K
SLCB-24-30-WH	24" / 610mm	9W / bar	536 / bar	90+	3000K
SLCB-36-30-WH	36" / 914mm	13W / bar	803 / bar	90+	3000K
SLCB-48-30-WH	48" / 1219mm	17W / bar	1071 / bar	90+	3000K
SLCB-9-40-WH	9" / 229mm	4W / bar	217 / bar	90+	4000K
SLCB-18-40-WH	18" / 457mm	7W / bar	434 / bar	90+	4000K
SLCB-24-40-WH	24" / 610mm	9W / bar	579 / bar	90+	4000K
SLCB-36-40-WH	36" / 914mm	13W / bar	867 / bar	90+	4000K
SLCB-48-40-WH	48" / 1219mm	17W / bar	1156 / bar	90+	4000K

Fixture comes with (2) mounting clips and (2) screws for surface mounting, (2) mounting clips and (2) screws for 45° mounting, and (1) SLD-1 lightbar to lightbar connector. Fixture must be used with SLD-1 or SLJ connectors. All accessories sold separately.

PRODUCT NOTES:

* Kelvin temperature (color) ±100K.

Installation instructions and spec sheet available for download.

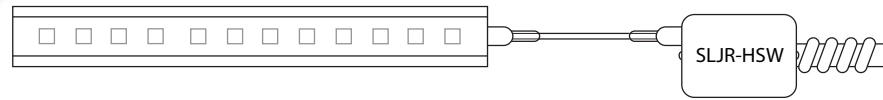
View this product on www.gmlighting.net

SLCB CONNECTORS AND MODULAR ACCESSORIES



SLJR-HSW "QUICK BOX" JUNCTION BOX

- 120V
- Terminal block connectors
- Designed for undercabinet mounting
- Multiple knock-outs
- On/off rocker switch
- Use with SLD-1, SLJ series or EZ Series connectors



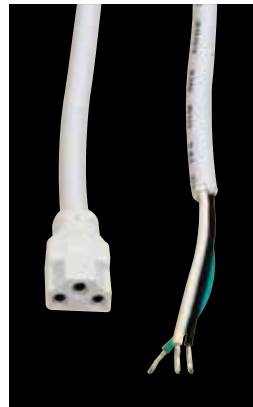
SLJR-HSW QUICK BOX

SLJR-HSW

120V junction box for undercabinet or other shallow mountings. Multiple knock-outs. On/off switch. 2-3/4"L x 2-1/16"W x 1-1/4"H (see image above)

CONNECTORS AND ACCESSORIES

Catalog No.	Description
SLD-HW-72	72" flexible lightbar to power hardwire connector
SLD-C6	6' cord and plug
SLD-1	Lightbar to lightbar connector
SLJ-6	6" flexible lightbar to lightbar connector
SLJ-12	12" flexible lightbar to lightbar connector
SLJ-24	24" flexible lightbar to lightbar connector
SLJ-36	36" flexible lightbar to lightbar connector



SLD-HW-72



SLJ SERIES CONNECTOR



SLD-C6

TYPICAL LIGHTBAR APPLICATIONS

NOT JUST AN UNDERCABINET FIXTURE

GM Lighting LED lightbars are an innovative and flexible light source that spans multiple voltages, color temps., wattages, lengths and configurations. Whether you go for long 120V runs from our SLCB, or introduce modular individually switched fixtures with SlimEdge or LARC6, there is a GM Lighting lightbar that will fit the unique challenges of any application.

KITCHEN



COMMERCIAL

CASE IN POINT

Lighting designer **Amber Hatcher** illuminated the three rooftop cupolas using GM Lighting's SLCB 120V lightbars. As a well respected member of the lighting community, Amber's use of GM Lighting products is nothing short of spectacular!

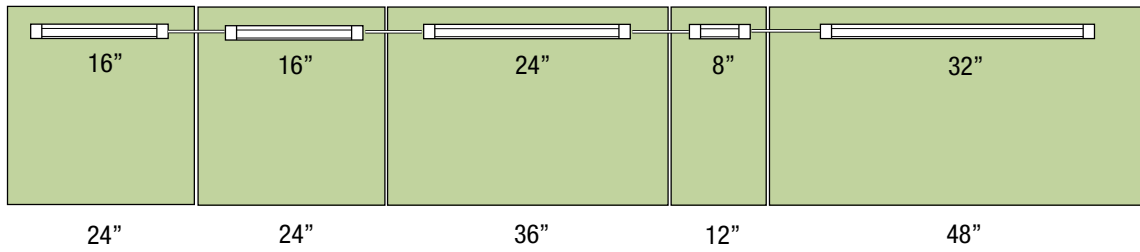
Check out Amber's work at:
www.amberslighting.com



SLIMEDGE™ TYPICAL CABINET LAYOUT

CABINET LAYOUT ONE - 144" CABINET CONFIGURATION

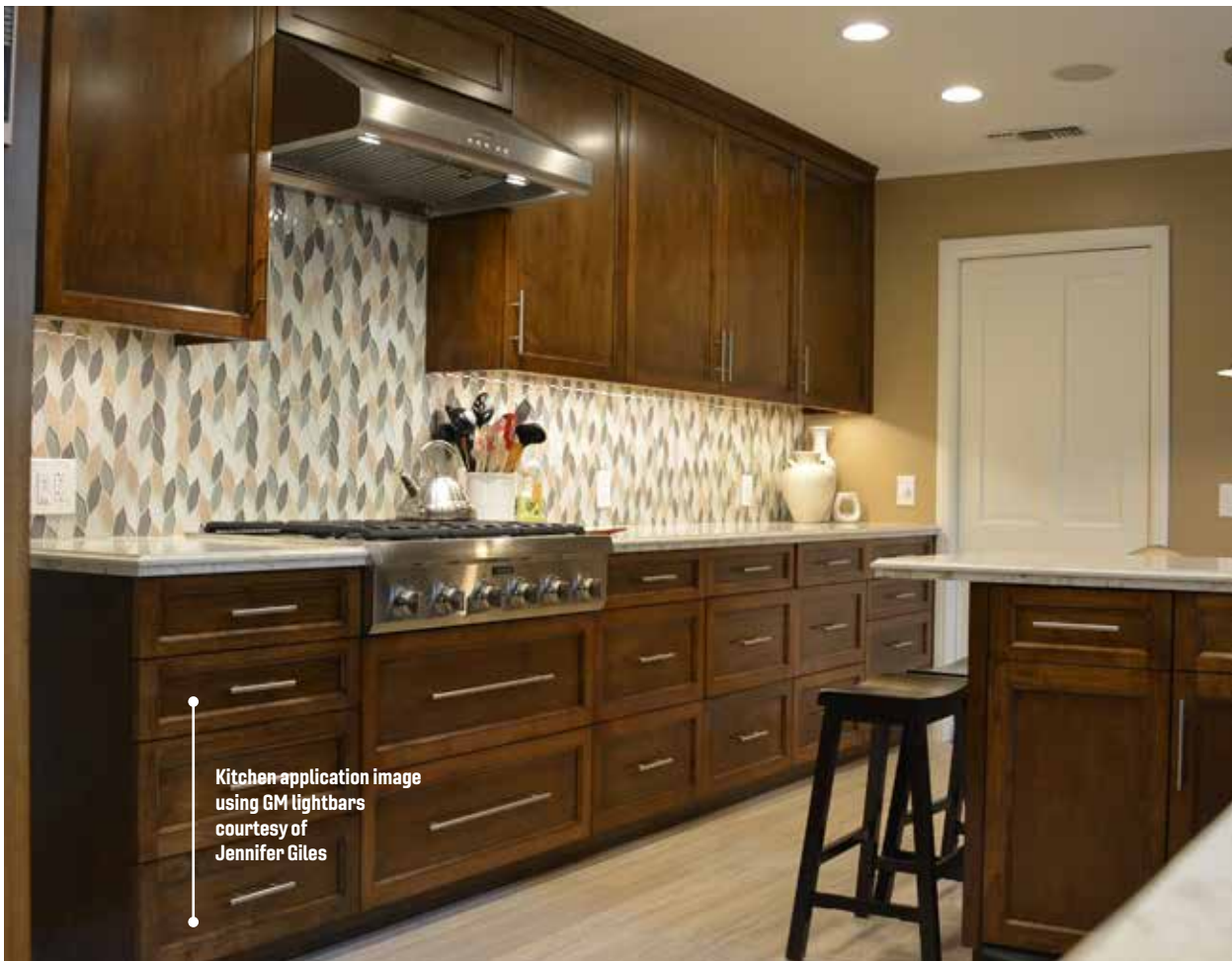
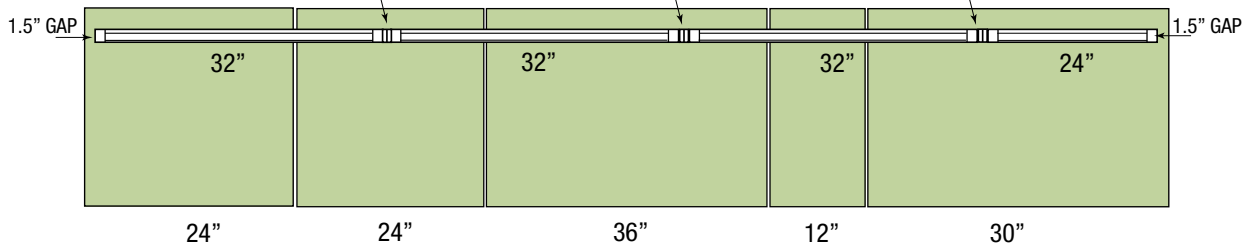
SLIM EDGE™ FIXTURES LINKED WITH GMC-MM-12 CONNECTORS



CABINET LAYOUT TWO - 126" CABINET CONFIGURATION

3 EDGE-BB-1 CONNECTORS
(FIXTURE TO FIXTURE)

SLIM EDGE™ FIXTURES LINKED WITH EDGE-BB-1 CONNECTORS

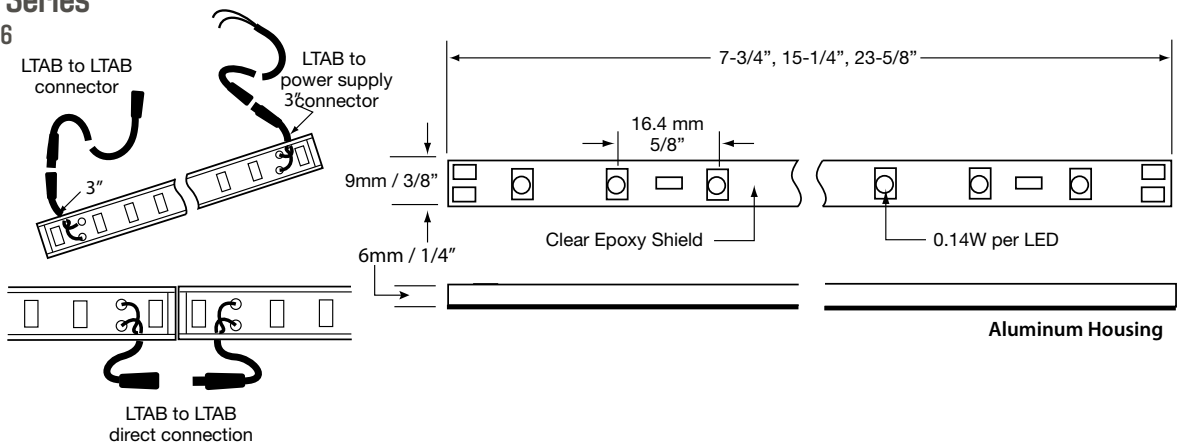


Kitchen application image
using GM lightbars
courtesy of
Jennifer Giles

LIGHTBAR FIXTURE DIAGRAMS

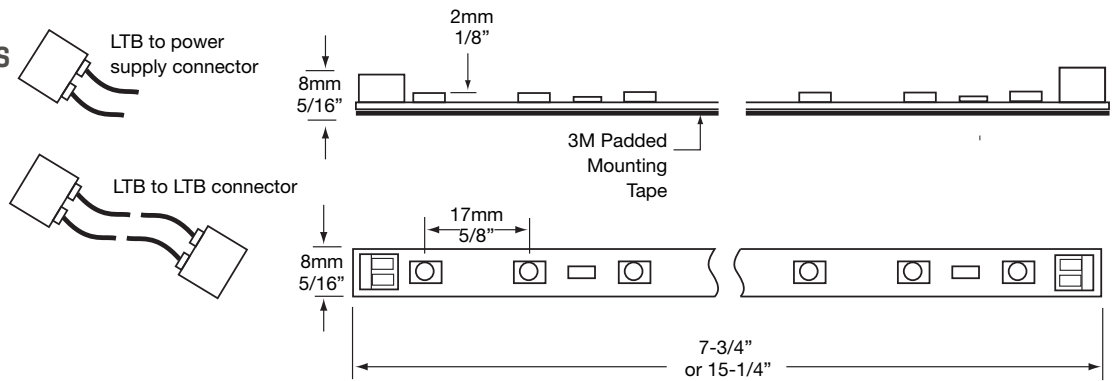
LTAB Series

Page 86



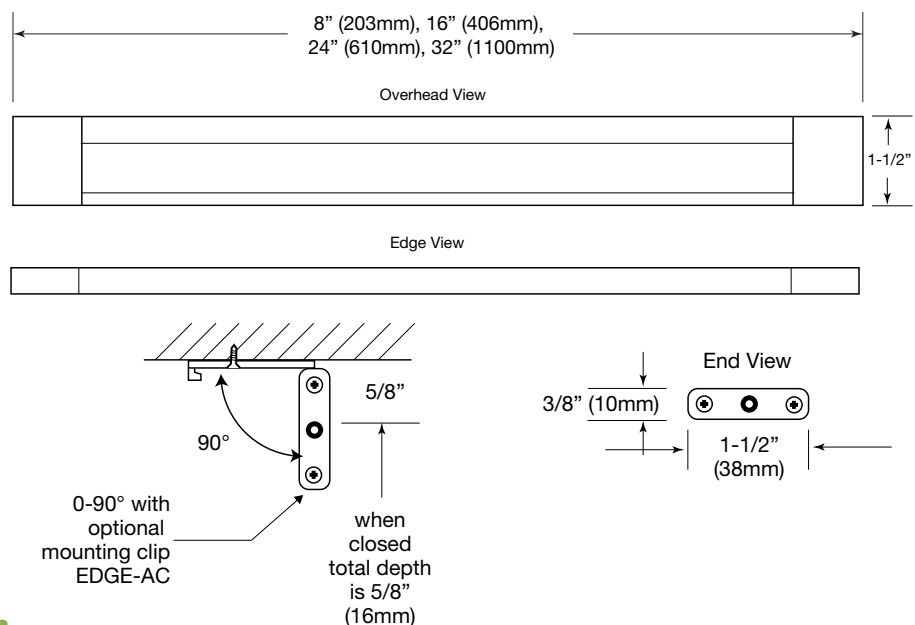
LTB Series

Page 87



SLIMEDGE™ Series

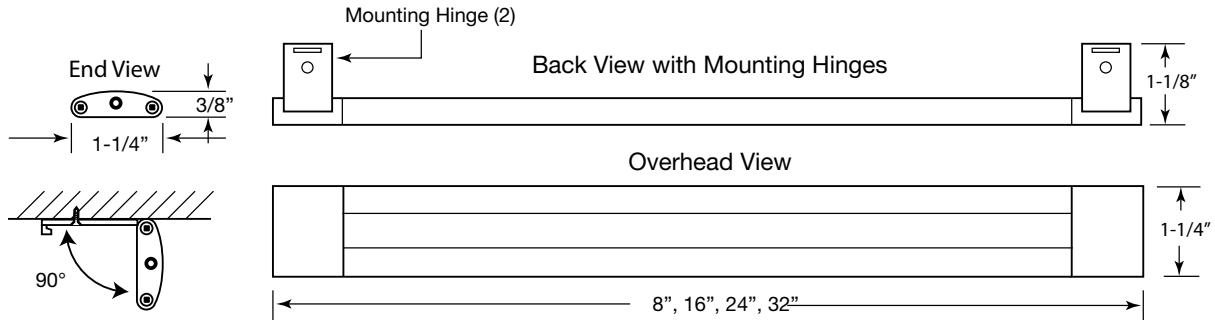
Page 88



LIGHTBAR FIXTURE DIAGRAMS

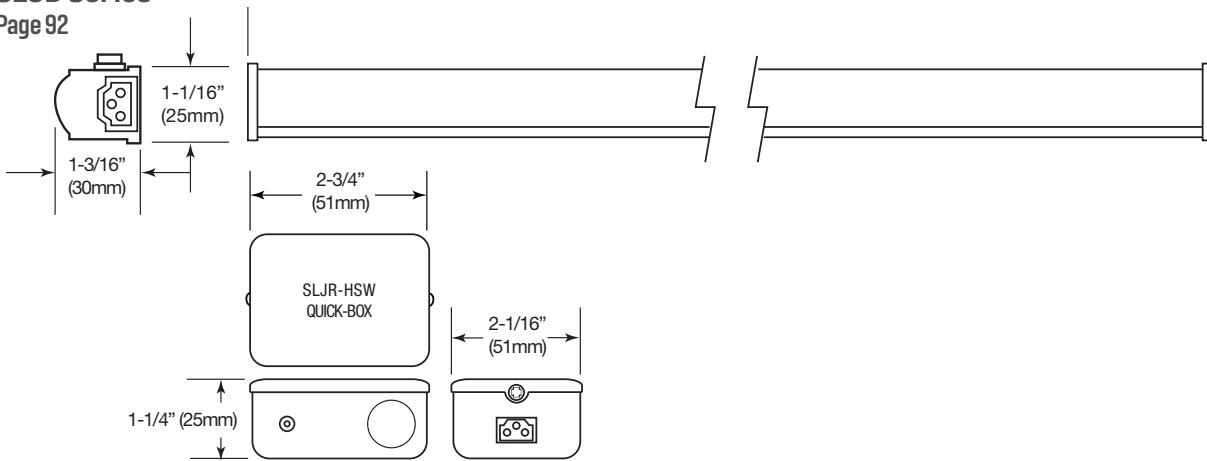
LARC6 Series

Page 90



SLCB Series

Page 92



LIGHTBAR COMPARATIVE ANALYSIS

LightBar Series	Voltage	Wattage	Lengths (Actual)	Mounting Depth	CRI	Lumens per Bar	Color Temps*
LTAB SERIES	12VDC	3W/ft.	7-3/4", 15-1/4", 23-5/8"	1/4"	80	8" - 101 16" - 203 24" - 304	2700K, 3500K 5500K
LTB SERIES	12VDC	3W/ft.	7-3/4", 15-1/4"	5-16"	80	8" - 132 16" - 264	3500K
SLIMEDGE SERIES	24VDC	4W/ft.	8", 16", 24" 32"	5/8"	90+	8" - 150 16" - 325 24" - 550 32" - 750	2700K, 3000K
LARC6 SERIES	24VDC	4W/ft.	8", 16", 24", 32"	3/8"	80+	8" - 200 16" - 450 24" - 720 32" - 1100	3000K
SLCB SERIES	120V	5.5W/ft. (approx.)	9", 18", 24", 36", 48"	1-3/16"	90+	Depends on color temp and length. See page 92	2700K, 3000K, 4000K

Specifications are subject to change without notice. Please refer to website (www.gmlighting.net) for the latest specification info