



PROJECT	TYPE
CATALOG NUMBER (FOR CUSTOM LENGTHS, PLEASE SEE ORDERING EXAMPLE BELOW)	

### FEATURES

- 12VDC operation
- 2.2W
- 2700K / 3000K / 4000K
- Multi-finishes
- Dimmable
- Surface or recess mount
- Magnetic cover plates

### ELECTRICAL

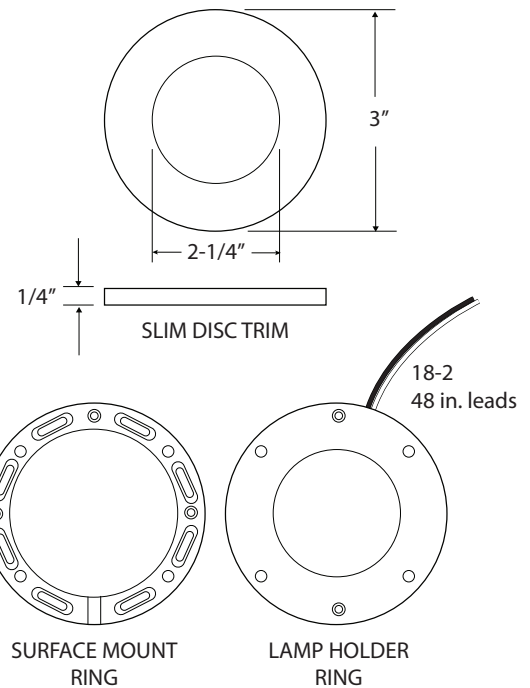
- Remote power supply required\*

### LABEL

- ETL

### WARRANTY

- 5 year warranty



### PRODUCT DESCRIPTION

A 3" (75mm) diameter circular surface (with mounting ring) or recessed (without mounting ring) puck. Constructed of a high quality aluminum body with white polycarbonate diffuser lens for low glare. Available in White, Black, Bronze and Brushed Nickel trim.

\* Use electronic power supplies only (PSD15-12 or PSD24-12).  
Magenetic power supplies are not operable with this fixture.



### PRODUCT ORDERING INFORMATION

Catalog No.	Dimensions	Wattage	Lumens	Color Temp.*	CRI	Finish
SP-2-27-W	3" dia. x 1/4" depth	2.2W	165	2700K	80+	White
SP-2-27-B	3" dia. x 1/4" depth	2.2W	165	2700K	80+	Black
SP-2-27-BZ	3" dia. x 1/4" depth	2.2W	165	2700K	80+	Bronze
SP-2-27-BNK	3" dia. x 1/4" depth	2.2W	165	2700K	80+	Brushed Nickel
SP-2-30-W	3" dia. x 1/4" depth	2.2W	170	3000K	80+	White
SP-2-30-B	3" dia. x 1/4" depth	2.2W	170	3000K	80+	Black
SP-2-30-BZ	3" dia. x 1/4" depth	2.2W	170	3000K	80+	Bronze
SP-2-30-BNK	3" dia. x 1/4" depth	2.2W	170	3000K	80+	Brushed Nickel
SP-2-40-W	3" dia. x 1/4" depth	2.2W	180	4000K	80+	White
SP-2-40-B	3" dia. x 1/4" depth	2.2W	180	4000K	80+	Black
SP-2-40-BZ	3" dia. x 1/4" depth	2.2W	180	4000K	80+	Bronze
SP-2-40-BNK	3" dia. x 1/4" depth	2.2W	180	4000K	80+	Brushed Nickel

\* Kelvin temperature (color) ± 200K