



PROJECT	TYPE
CATALOG NUMBER (FOR CUSTOM LENGTHS, PLEASE SEE ORDERING EXAMPLE BELOW)	

### FEATURES

- 12VDC or 24VDC (PSD90-24) constant voltage output
- 120V input
- High efficiency: up to 80%
- Phase/Triac dimmable
- Protection: short circuit / over voltage
- Integrated junction box for hard wire installation
- Cooling by air convection
- Flicker-free 20% - 100% dimming
- Damp location - IP20

### LABEL

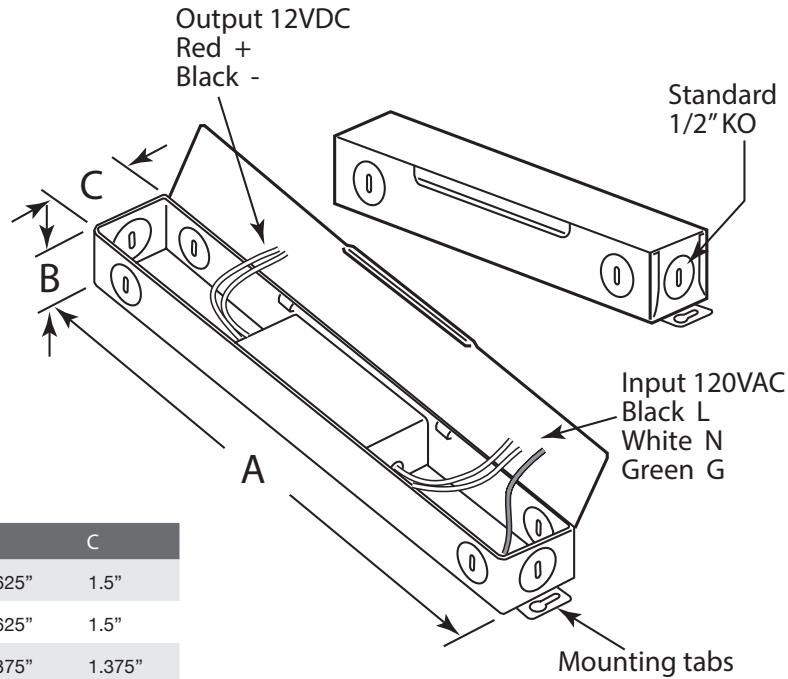
- cETLus
- Class 2

### WARRANTY

- 5 year warranty

### PRODUCT DESCRIPTION

A 12VDC or 24VDC constant voltage, Phase / Triac dimmable 15W, 24W, 60W or 90W power supply that is especially suitable for GM Lighting LED Slim Pucks, LED Slim Puck Mini, along with tape and lightbars.



### KEY TO DIMENSIONS

Catalog No.	A	B	C
PSD15-12	8.375"	1.625"	1.5"
PSD24-12	10"	1.625"	1.5"
PSD60-12	7.125"	3.375"	1.375"
PSD60-24	7.125"	3.375"	1.375"
PSD90-24	7.125"	3.375"	1.375"

### ORDERING INFORMATION

Catalog No.	Wattage	Input	Output	Weight	Warranty
PSD15-12	15W	120VAC	12VDC	11.1 oz.	5 years
PSD24-12	24W	120VAC	12VDC	13.8 oz.	5 years
PSD60-12	60W	120VAC	12VDC	16.4 oz.	5 years
PSD60-24	60W	120VAC	24VDC	16.4 oz.	5 years
PSD90-24	90W	120VAC	24VDC	16.25	5 years

