

12VDC / 24VDC LED MAGNETIC DIMMABLE 60W POWER SUPPLY

PROJECT	TYPE
CATALOG NUMBER	

PRODUCT DESCRIPTION

LED dimming magnetic power supply that works with conventional low voltage magnetic wall mount dimmer with on/off switch. 12 or 24 VDC output. 120, 240 or 277 VAC input. Highest efficiency with auto reset. Compatible with standard low voltage magnetic dimmers. Not recommended for digital control systems.

PRODUCT SPECIFICATIONS

Construction: Power supply is fully epoxy encapsulated for long life and to protect against moisture. Full metal enclosure. No external fusing required. Input and output wire color chart below. 2 knock-outs.

Electrical: Output voltage 12 or 24 VDC. Patented short circuit and overload protection. Limited power source output allows for Class II wiring. Thermal class B-130C. Input leads are 20 AWG. Output leads are 16 AWG. Lead insulation rated to 105°C (221°F). Transformer utilizes a class B 130°C (266°F) insulation system. Auto reset. Optimum performance @80% load (48 watt).

Dimming: Works with standard low-voltage magnetic wall dimmer with on/off switch.

Mounting: Mounting tabs allow direct screw mounting. Vertical mount recommended.

Label: UL listed.

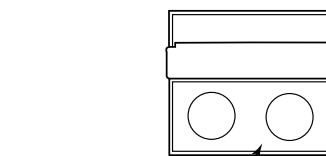
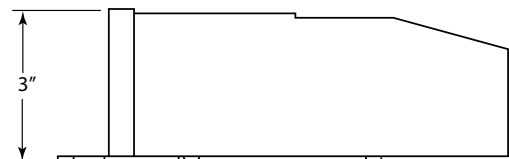
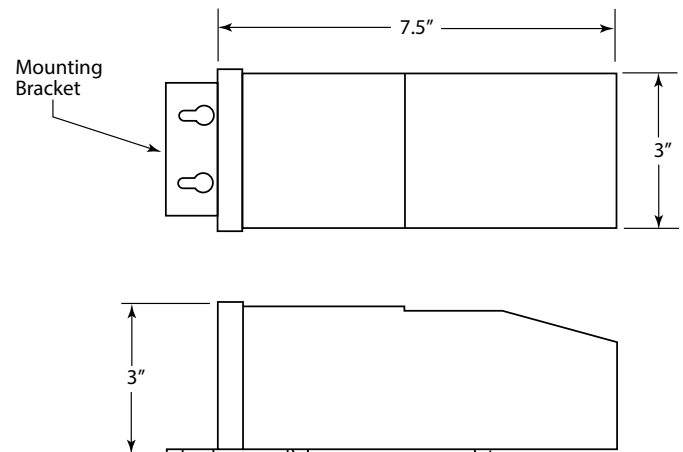


WIRING TABLE

INPUT (AC)		
Line Voltage	Connections	Internal Connections
120V	Neutral (White and Blue) Line (Brown and Violet)	----- Ground wire to ground screw
240V	Neutral (White) Line (Violet)	Blue to Brown Ground wire to ground screw
277V	Neutral (White) Line (Orange)	Blue to Brown Ground wire to ground screw
OUTPUT (DC)		
Out Voltage	Output Current	Connections
12VDC	5.0 AMP	Red (+) - Yellow (-)
24VDC	2.5 AMP	Red (+) - Black (-)

INPUT / OUTPUT VOLTAGE and CURRENT RATINGS

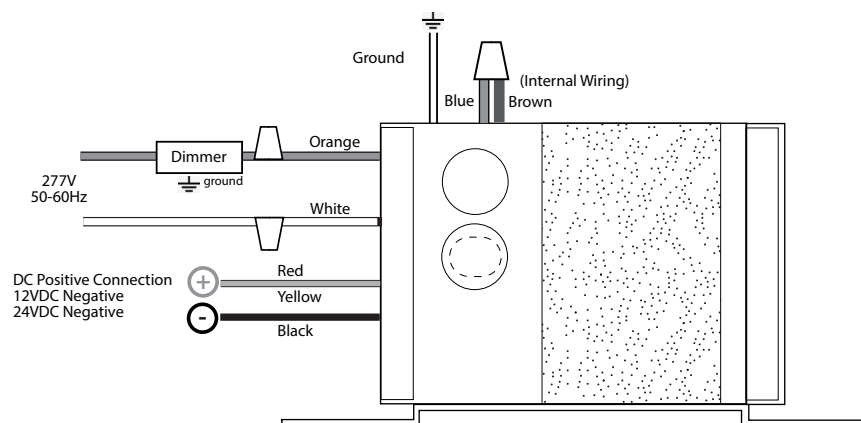
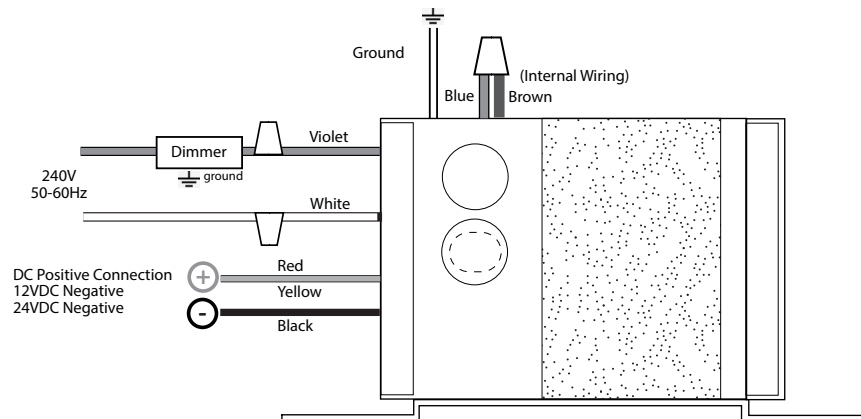
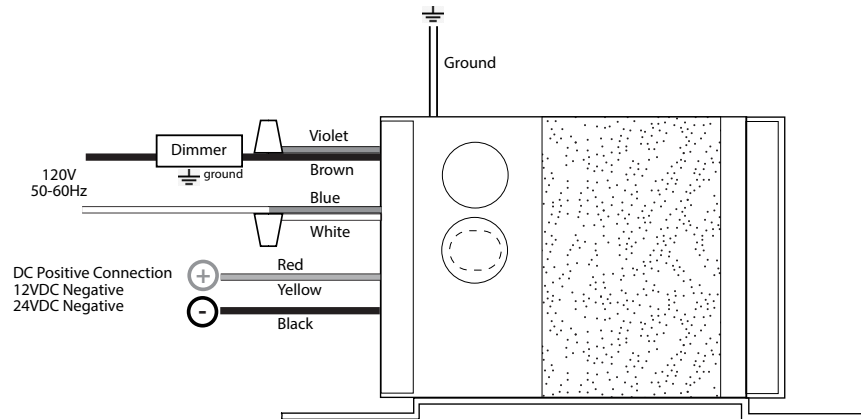
INPUT		OUTPUT	
Voltage	Current	Voltage	Current
120 VAC	0.60 A	12VDC	5.0 amps
		24VDC	2.5 amps
240 VAC	0.30 A	12VDC	5.0 amps
		24VDC	2.5 amps
277 VAC	0.25 A	12VDC	5.0 amps
		24VDC	2.5 amps



Wiring Compartment with 1/2" Knockouts



Catalog Number	Max. Wattage	Input Voltage	Output Voltage	Weight	Length	Width	Height
LTH-60-N-DIM	60W	120V, 240V or 277VAC / 50 or 60 Hz.	12VDC or 24VDC	4.11 lbs.	7-1/2"	3"	3"



Note: Power supply is intended for use with a dimmer. If a dimmer is not used, check voltage to insure that excess voltage is not applied to LED lighting product.