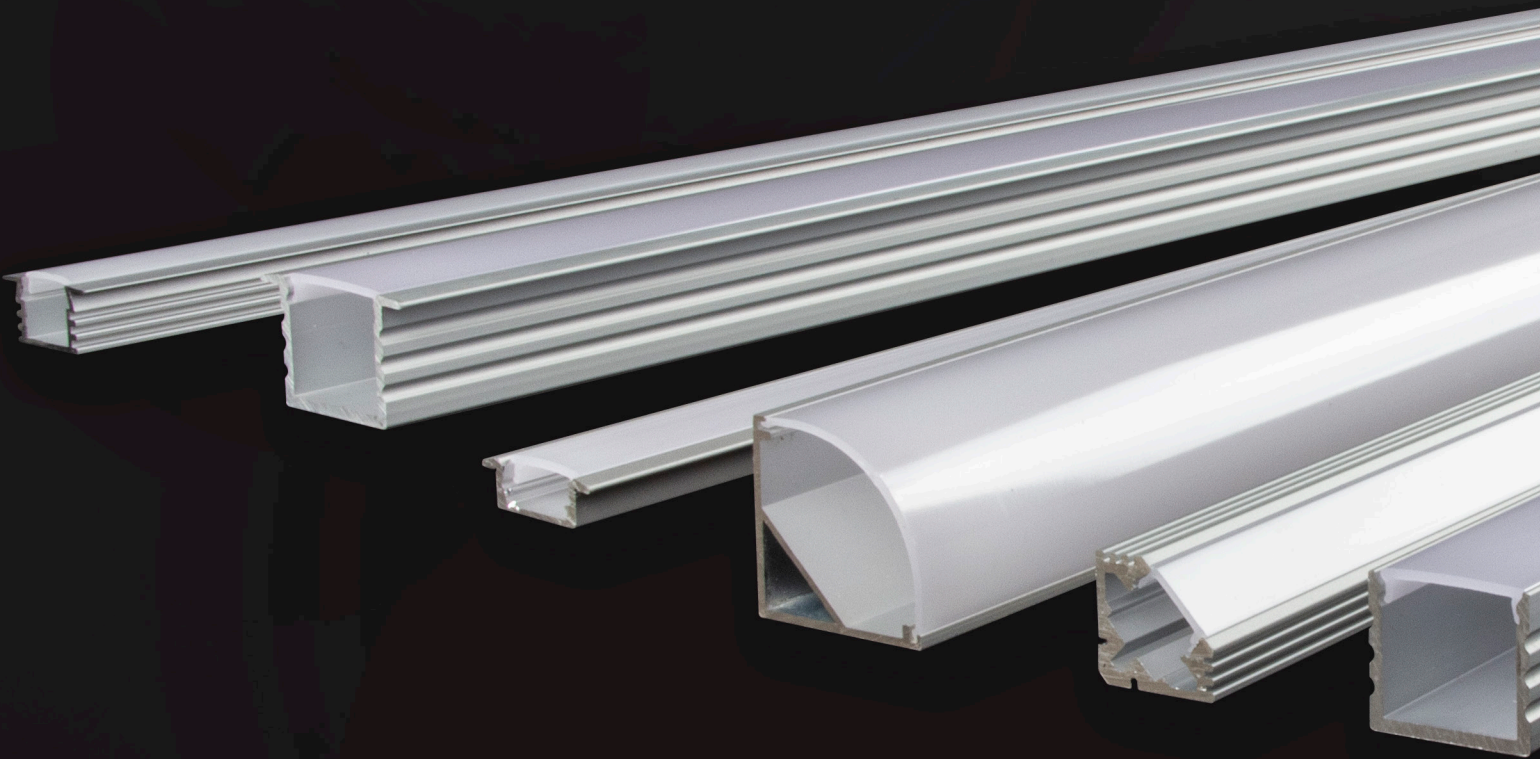


GM Lighting[®]

“Lighting Enhanced by Design”



**Aluminum LED Tape
Mounting Channel Guide**

LED TAPE MOUNTING CHANNELS

LED-CHL-45

LED-CHL

LED-CHL-45-1200

LED-CHL-BND

LED-CHL-SLIM

LED-CHL-XD

LED-CHL-W

LED-CHL-XD -F

LED-CHL-XD-MD-F

LED-CHL-XD-MD

LED TAPE MOUNTING CHANNELS AND ACCESSORIES

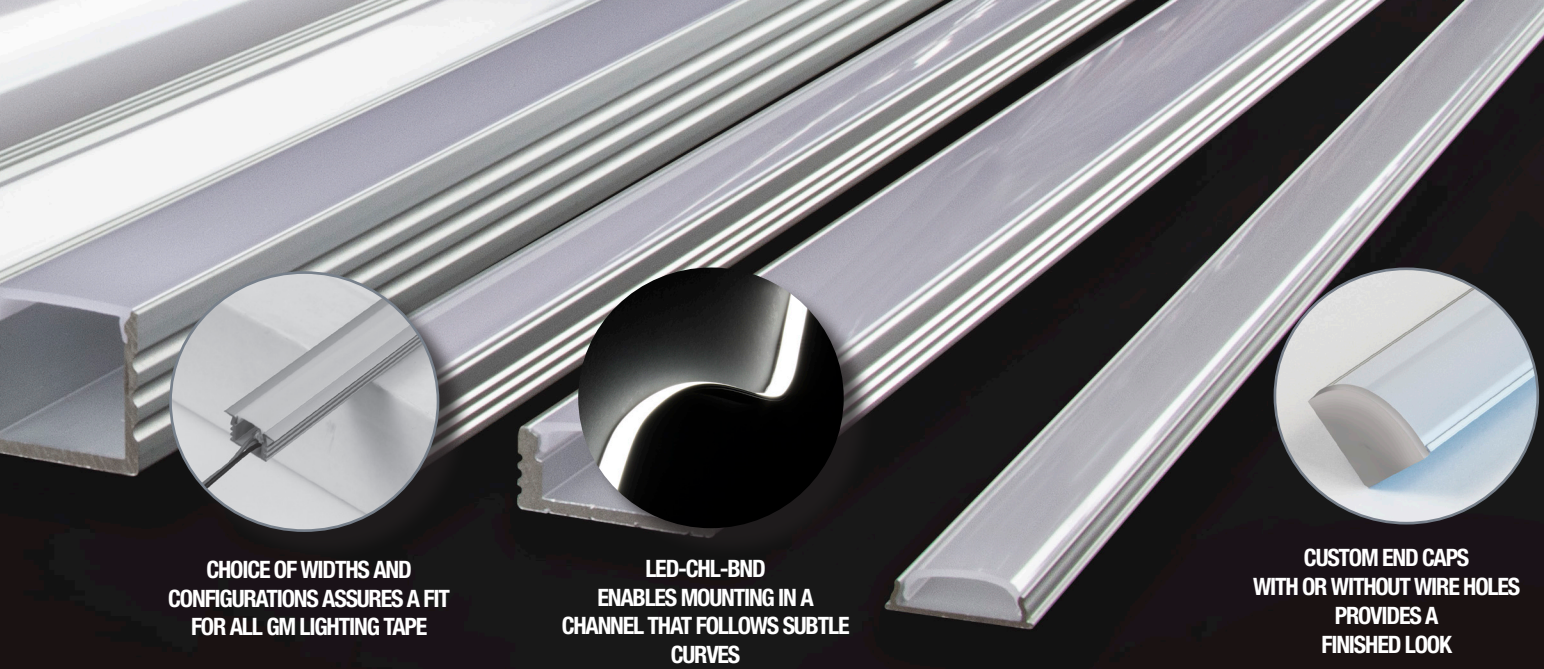
There is a GM Lighting aluminum mounting channel for any LTR Series tape. Check the ordering matrix on these pages for compatibility. Perfect for applications that requires a rigid extruded channel for a permanent, professional installation. Each channel and lens can be cut in the field to the desired length needed.



DRYWALL SPRING CLIPS AND ADJUSTABLE BRACKETS ENABLE CUSTOM INSTALLATIONS

	Catalog No.	Description	Length	Fits Series	Fits SureTite or EZ Connectors	Dimensions
LED-CHL	LED-CHL	Extruded channel. Includes snap-on frosted lens with mounting screws.	4'	ALL SERIES	NO	
	LED-CHL-8	Extruded channel. Includes snap-on frosted lens with mounting screws.	8'		NO	
	LED-CHL-EC	(2) End caps for LED-CHL - one solid, one with hole	N/A		N/A	
	LED-CHL-AMC	(2) Adjustable mounting brackets for LED-CHL	N/A		N/A	
	LED-CHL-MC	(2) Mounting clips for LED-CHL	N/A		N/A	
LED-CHL-45	LED-CHL-45	Extruded angled (45°) channel. Includes snap-on frosted lens with mounting screws.	4'	ALL SERIES	NO	
	LED-CHL-45-EC	(2) End caps for LED-CHL-45 - one solid, one with hole	N/A		N/A	
LED-CHL-45-1200	LED-CHL-45-1200	Extruded large format angled (45°) channel. Includes snap-on frosted lens with mounting screws.	4'	ALL SERIES	YES	
	LED-CHL-45-1200-EC	(2) End caps for LED-CHL-45-1200 - one solid, one with hole	N/A		N/A	
	LED-CHL-45-1200-MC	(2) Additional mounting clips for LED-CHL-45-1200	N/A		N/A	
LED-CHL-BND	LED-CHL-BND	Extruded bendable channel. Includes snap-on frosted lens with mounting screws	4'	ALL SERIES EXCEPT WET LOCATION	NO	
	LED-CHL-BND-8	Extruded bendable channel. Includes snap-on frosted lens with mounting screws	8'		NO	
	LED-CHL-BND-EC	(2) End caps for LED-CHL-BND - one solid, one with hole	N/A		N/A	
LED-CHL-SLIM	LED-CHL-SLIM	Slim extruded. Includes snap-on frosted lens with mounting screws	4'	ALL SERIES	NO	
	LED-CHL-SLIM-BRACKETS	(2) Mounting brackets for LED-CHL-SLIM	N/A		N/A	
	LED-CHL-SLIM-EC	(2) Solid end caps for LED-CHL-SLIM	N/A		N/A	

Please check our website at www.gmlighting.net for mil dimensions and more mounting channel information.



CHOICE OF WIDTHS AND CONFIGURATIONS ASSURES A FIT FOR ALL GM LIGHTING TAPE

LED-CHL-BND ENABLES MOUNTING IN A CHANNEL THAT FOLLOWS SUBTLE CURVES

CUSTOM END CAPS WITH OR WITHOUT WIRE HOLES PROVIDES A FINISHED LOOK

	Catalog No.	Description	Length	Accessory	Fits SureTite or EZ Connectors	Dimensions
LED-CHL-W	LED-CHL-W	Wide format extruded channel. Includes snap-on frosted lens.	4'	ALL SERIES	YES	
	LED-CHL-W-8	Wide format extruded channel. Includes snap-on frosted lens.	8'		YES	
	LED-CHL-W-AMC	(2) Adjustable mounting brackets for LED-CHL-W	N/A		N/A	
	LED-CHL-W-EC	(2) End caps for LED-CHL-W - one solid, one with hole	N/A		N/A	
	LED-CHL-W-MC	(2) Additional mounting clips for LED-CHL-W	N/A		N/A	
LED-CHL-XD	LED-CHL-XD	Extra deep format extruded channel. Includes snap-on frosted lens	4'	ALL SERIES	YES	
	LED-CHL-XD-8	Extra deep format extruded channel. Includes snap-on frosted lens	8'		YES	
	LED-CHL-XD-AMC	(2) Adjustable mounting brackets for LED-CHL-XD	N/A		N/A	
	LED-CHL-XD-EC	(2) End caps for LED-CHL-XD - one solid, one with hole	N/A		N/A	
LED-CHL-XD-F	LED-CHL-XD-F	Extra deep format extruded channel with flanged edges. Includes snap-on frosted lens.	4'	ALL SERIES	YES	
	LED-CHL-XD-F-8	Extra deep format extruded channel with flanged edges. Includes snap-on frosted lens.	8'		YES	
	LED-CHL-XD-F-DC	(2) Drywall mounting brackets for LED-CHL-XD-F	N/A		N/A	
	LED-CHL-XD-F-EC	(2) End caps - one solid, one with wiring hole for LED-CHL-XD-F	N/A		N/A	
	LED-CHL-XD-F-MC	(2) Mounting brackets for LED-CHL-XD-F	N/A		N/A	
LED-CHL-XD-MD	LED-CHL-XD-MD	Mini-deep extruded channel. Includes snap-on frosted lens.	4'	ALL SERIES EXCEPT WET LOCATION	YES	
	LED-CHL-XD-MD-8	Mini-deep extruded channel. Includes snap-on frosted lens.	8'		YES	
	LED-CHL-XD-MD-AMC	(2) Adjustable mounting brackets for LED-CHL-XD-MD	N/A		N/A	
	LED-CHL-XD-MD-EC	(2) End caps - one solid, one with wiring hole for LED-CHL-XD-MD	N/A		N/A	
	LED-CHL-XD-MD-DC	(2) drywall spring clips with mounting screws	N/A		N/A	
LED-CHL-XD-MD-F	LED-CHL-XD-MD-F	Mini-deep format extruded channel with flanged edges. Includes snap-on frosted lens.	4'	ALL SERIES EXCEPT WET LOCATION	YES	
	LED-CHL-XD-MD-F-8	Mini-deep format extruded channel with flanged edges. Includes snap-on frosted lens.	8'		YES	
	LED-CHL-XD-MD-F-DC	(2) Drywall spring clips with mounting screws	N/A		N/A	
	LED-CHL-XD-MD-F-EC	(2) End caps - one solid, one with wiring hole for LED-CHL-XD-MD-F	N/A		N/A	

Please check our website at www.gmlighting.net for mil dimensions and more mounting channel information.



PROJECT

TYPE

LED-CHL

CATALOG NUMBER

PRODUCT DESCRIPTION

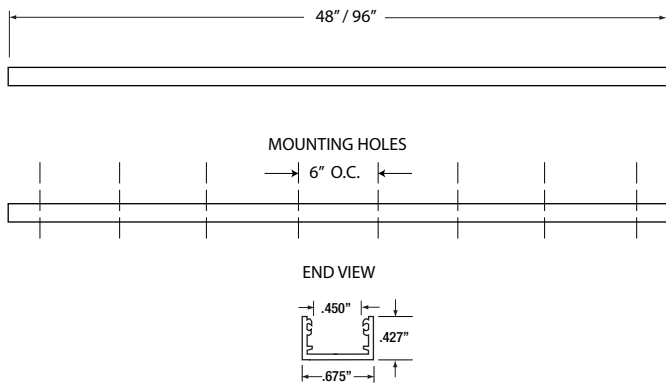
Extruded aluminum channel with snap on semi-frosted diffusion lens that provides a rigid linear mounting platform that accommodates the following GM Lighting LED Ribbons

FOR LTR SERIES TAPE (DRY LOCATION ONLY)

LTR-P, LTR-S and LTR-E
 LTR300, LTR300-100, LTR300-SO, LTR300-100-SO GM300-24-SO,
 LTR30024, LTR30024-100

FEATURES

- Includes 2 mounting clips and screws
- Includes acrylic frosted lens
- End caps sold separately



ORDERING INFORMATION

Model Number	Description	Length	Width	Depth	Finish
LED-CHL	Extruded architectural aluminum channel	48"	.675"	.427"	Brushed Aluminum
LED-CHL-8	Extruded architectural aluminum channel	96"	.675"	.427"	Brushed Aluminum
LED-CHL-AMC	(2) Adjustable mounting brackets				Stainless Steel
LED-CHL-EC	(2) End caps - one solid, one with hole				Grey
LED-CHL-MC	(2) Additional mounting clips				Stainless Steel

TAPE / CONNECTOR COMPATIBILITY

Catalog No.	Length	Fits These Connectors	For LED Tape Series	Mill Dimensions
LED-CHL	48"	Soldered leads only	LTR-P, LTR-S, LTR-E Series Dry location only	.675" x .427"
LED-CHL-8	96"	Soldered leads only	LTR300, LTR300-100, LTR300-SO, LTR300-100-SO GM300-24-SO, LTR30024, LTR30024-100	.675" x .427"

Please check our website at www.gmlighting.net for new additions to our line of architectural mounting extrusions.

PROJECT	TYPE
CATALOG NUMBER	

LED-CHL-45

PRODUCT DESCRIPTION

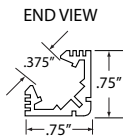
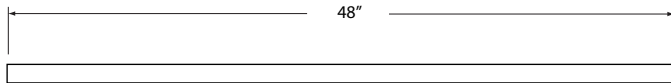
Extruded 45° aluminum channel with snap on semi-frosted diffusion lens that provides a rigid linear mounting platform that accommodates the following GM Lighting LED Ribbons

FOR LTR SERIES TAPE (DRY LOCATION ONLY)

LTR-P, LTR-S and LTR-E
 LTR300, LTR300-100, LTR300-SO, LTR300-100-SO GM-EXT-24-60,
 GM300-24-SO, LTR30024, LTR30024-100

FEATURES

- Includes 2 mounting clips and screws
- Includes acrylic frosted lens
- End caps sold separately



ORDERING INFORMATION

Model Number	Description	Length	Width	Depth	Finish
LED-CHL-45	Extruded architectural aluminum channel, angled at 45°	48"	.75"	.75"	Brushed Aluminum
LED-CHL-45-EC	(2) End caps - one solid, one with hole				Grey

TAPE / CONNECTOR COMPATIBILITY

Catalog No.	Length	Fits These Connectors	For LED Tape Series	Mill Dimensions
LED-CHL-45	48"	Soldered leads only	LTR-P, LTR-S, LTR-E Series Dry location only LTR300, LTR300-100, LTR300-SO, LTR300-100-SO GM-EXT-24-60, GM300-24-SO, LTR30024, LTR30024-100	.75" x .75"

Please check our website at www.gmlighting.net for new additions to our line of architectural mounting extrusions.

PROJECT	TYPE
CATALOG NUMBER	

LED-CHL-45-1200

PRODUCT DESCRIPTION

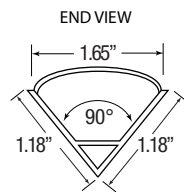
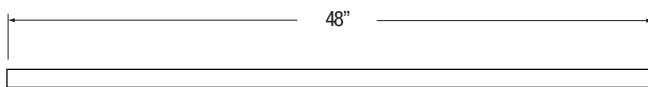
Extruded large format 45° aluminum channel with snap on semi-frosted diffusion lens that provides a rigid linear mounting platform that accommodates the following GM Lighting LED Ribbons

FOR LTR SERIES TAPE

**LTR-P, LTR-S and LTR-E - DRY and WET LOCATION
 ALL EXISTING LED TAPE SERIES**

FEATURES

- Includes 2 mounting clips and screws
- Includes acrylic frosted lens
- End caps sold separately



ORDERING INFORMATION

Model Number	Description	Length	Width	Depth	Finish
LED-CHL-45-1200	Extruded large format architectural aluminum channel, angled at 45°	48"	1.65"	1.18"	Brushed Aluminum
LED-CHL-45-1200-EC	(2) End caps - one solid, one with hole				Grey
LED-CHL-45-1200-MC	(2) Additional mounting clips				Stainless Steel

TAPE / CONNECTOR COMPATIBILITY

Catalog No.	Length	Fits These Connectors	For LED Tape Series	Mill Dimensions
LED-CHL-45-1200	48"	Sure-Tite and EZ Connectors	LTR-P, LTR-S, LTR-E Series Dry and Wet Location All Existing Tape Series	1.18" x 1.18"

Please check our website at www.gmlighting.net for new additions to our line of architectural mounting extrusions.

LED-CHL-BND

PROJECT	TYPE
CATALOG NUMBER	

PRODUCT DESCRIPTION

Extruded aluminum flexible channel with snap-in frosted acrylic lens that enables free-form, large radius mounting of most GM Lighting LED linear tape.

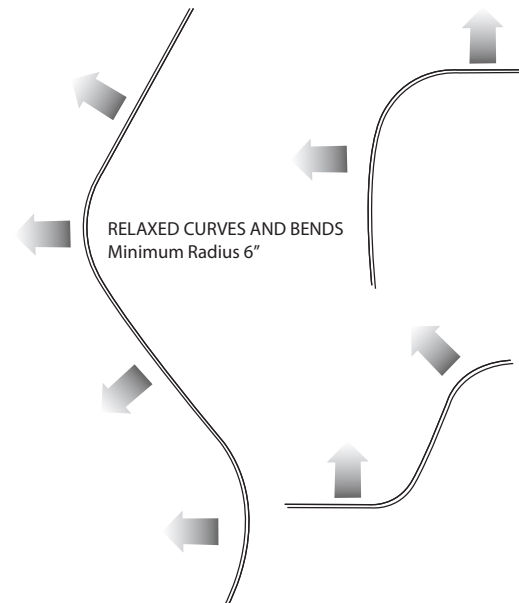
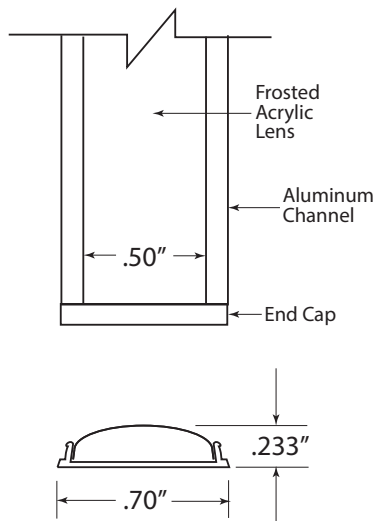
FOR LTR SERIES TAPE (DRY LOCATION ONLY)

LTR-P, LTR-S and LTR-E

LTR-300 Series ESR Series CTK Series HDT Series

FEATURES

- Includes 4 - 1/2" mounting clips and screws
- Includes acrylic frosted lens
- End caps sold separately



ORDERING INFORMATION

Model Number	Description	Length	Height	Width	Finish
LED-CHL-BND-4	Bendable LED Aluminum Channel with Frosted Lens	48"	.233"	.70"	Aluminum
LED-CHL-BND-8	Bendable LED Aluminum Channel with Frosted Lens NOTE: 8' CHANNEL IS SOLD IN QUANTITIES OF 5 OR MORE	96"	.233"	.70"	Aluminum
LED-CHL-BND-EC	(2) End caps - one solid, one with hole				Grey

Each channel comes with mounting hardware.

TAPE / CONNECTOR COMPATIBILITY

Catalog No.	Length	Fits These Connectors	For LED Tape Series	Mill Dimensions
LED-CHL-BND	48"	Soldered leads only	LTR-P, LTR-S, LTR-E Series Dry location only	.70" X .233"
LED-CHL-BND-8	96"	Soldered leads only	LTR-300, ESR, CTK and HDT Series	.70" X .233"

Please check our website at www.gmlighting.net for new additions to our line of architectural mounting extrusions.

LED-CHL-SLIM

PROJECT

TYPE

CATALOG NUMBER

PRODUCT DESCRIPTION

Slim format aluminum channel with snap on semi-frosted diffusion lens that provides a rigid linear mounting platform that accommodates the following GM Lighting LED Ribbons

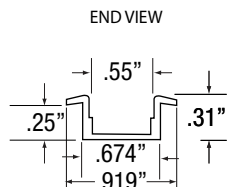
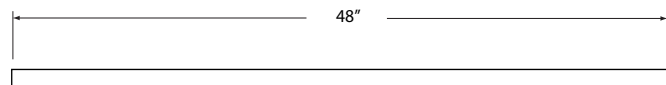
FOR LTR SERIES TAPE (DRY LOCATION ONLY)

LTR-P, LTR-S and LTR-E

LTR300 ,LTR300-100, LTR300-SO, LTR300-100-SO, GM-EXT-24-60, GM300-24-SO, LTR30024, LTR30024-100

FEATURES

- Includes 2 mounting clips and screws
- Includes acrylic frosted lens
- End caps sold separately



ORDERING INFORMATION

Model Number	Description	Length	Width	Depth	Finish
LED-CHL-SLIM	Slim format extruded architectural aluminum channel	48"	.919"	.31"	Brushed Aluminum
LED-CHL-SLIM-BRACKETS	(2) Mounting brackets				Aluminum
LED-CHL-SLIM-EC	(2) Solid end caps				Grey

TAPE / CONNECTOR COMPATIBILITY

Catalog No.	Length	Fits These Connectors	For LED Tape Series	Mill Dimensions
LED-CHL-SLIM	48"	Soldered leads only	LTR-P, LTR-S, LTR-E Series Dry location only LTR300 Series LTR300-100 Series LTR300-SO Series LTR300-100-SO Series GM-EXT-24-60 Series GM300-24-SO Series LTR30024 Series LTR30024-100 Series	.624" x .25"

Please check our website at www.gmlighting.net for new additions to our line of architectural mounting extrusions.

LED-CHL-W

PROJECT	TYPE
CATALOG NUMBER	

PRODUCT DESCRIPTION

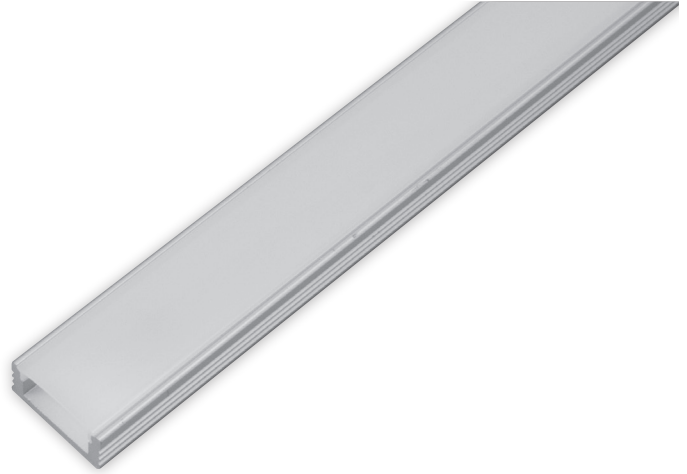
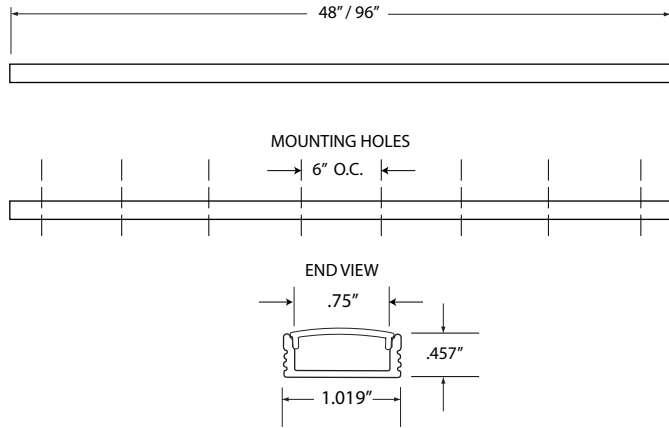
Extruded wide aluminum channel with snap on semi-frosted diffusion lens that provides a rigid linear mounting platform wide enough to accommodate the following GM Lighting LEDTask Flexible LED Linear Ribbons:

FOR LTR SERIES TAPE

LTR-P, LTR-S and LTR-E - DRY and WET LOCATION
ALL EXISTING TAPE EXCEPT VISION120

FEATURES

- Includes 2 mounting clips and screws
- Includes acrylic frosted lens
- End caps sold separately



ORDERING INFORMATION

Model Number	Description	Length	Width	Depth	Finish
LED-CHL-W	Extruded wide architectural aluminum channel	48"	1.019"	.457"	Brushed Aluminum
LED-CHL-W-8	Extruded wide architectural aluminum channel	96"	1.019"	.457"	Brushed Aluminum
LED-CHL-W-AMC	(2) Adjustable mounting brackets				Stainless
LED-CHL-W-EC	(2) End caps - one solid, one with hole				Grey
LED-CHL-W-MC	(2) Additional mounting clips				Stainless

TAPE / CONNECTOR COMPATIBILITY

Catalog No.	Length	Fits These Connectors	For LED Tape Series	Mill Dimensions
LED-CHL-W	48"	Sure-Tite and EZ Connectors	LTR-P, LTR-S, LTR-E Series Dry location only	1.019" x .457"
LED-CHL-W-8	96"	Sure-Tite and EZ Connectors	All Existing Tape Except Vision120	1.019" x .457"

Please check our website at www.gmlighting.net for new additions to our line of architectural mounting extrusions.

LED-CHL-XD-MD

PRODUCT DESCRIPTION

GM Lighting's LED-CHL-XD-MD channel accepts all GM Lighting LED tape. Available in 48" and 96" lengths, these mounting channels are the perfect vessel that not only insures an architectural quality installation, but also provides diode-free imaging due to the frosted lens that is included with each channel.

Available with or without flange (see spec sheet LED-CHL-XD-MD-F for flange option ordering information).

FOR LTR SERIES TAPE

LTR-P, LTR-S and LTR-E - DRY LOCATION ONLY

EXISTING TAPE

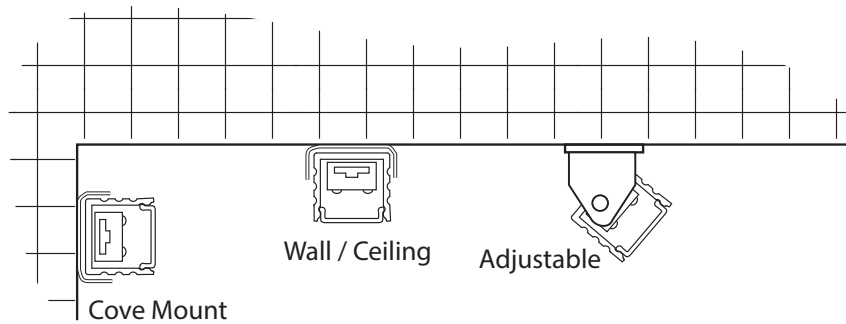
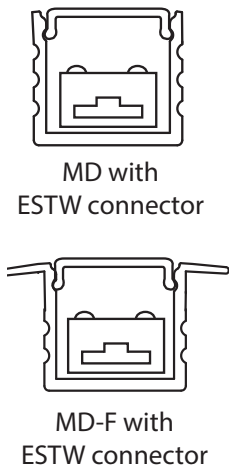
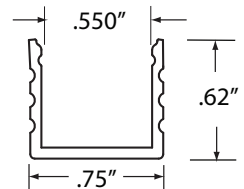
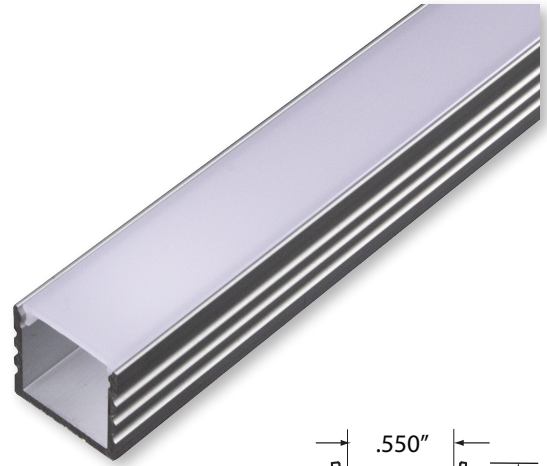
Not Vision120 or LTR-1200

Custom lengths available - consult factory

FEATURES

- Includes 2 mounting clips and screws
- Includes acrylic frosted lens
- End caps sold seperately

PROJECT	TYPE
CATALOG NUMBER	



ORDERING INFORMATION

Model Number	Description	Length	Width	Depth	Finish
LED-CHL-XD-MD	Mini-deep extruded channel. Includes snap-on lens.	48"	.75"	.62"	Brushed Aluminum
LED-CHL-XD-MD-8	Mini-deep extruded channel. Includes snap-on lens.	96"	.75"	.62"	Brushed Aluminum
LED-CHL-XD-MD-AMC	(2) Adjustable mounting brackets				Stainless
LED-CHL-XD-MD-EC	(2) End caps - one solid, one with wiring hole				Grey
LED-CHL-XD-MD-DC	(2) Drywall spring clips with mounting screws				Stainless

TAPE / CONNECTOR COMPATIBILITY

Catalog No.	Length	Fits These Connectors	For LED Tape Series	Mill Dimensions
LED-CHL-XD-MD	48"	Sure-Tite and EZ Connectors	LTR-P, LTR-S, LTR-E Series Dry and wet location	.75" x .62"
LED-CHL-XD-MD-8	96"	Sure-Tite and EZ Connectors	Not Vision120 or LTR-1200 Series	.75" x .62"

Please check our website at www.gmlighting.net for new additions to our line of architectural mounting extrusions.

LED-CHL-XD-MD-F

PRODUCT DESCRIPTION

GM Lighting's LED-CHL-XD-MD and MD-F channels accept all GM Lighting LED tape*. Available in 48" and 96" lengths, these mounting channels are the perfect vessel that not only insures an architectural quality installation, but also provides diode-free imaging due to the frosted lens that is included with each channel.

Available with or without flange (see spec sheet LED-CHL-XD-MD for non-flanged option ordering information).

FOR LTR SERIES TAPE

LTR-P, LTR-S and LTR-E - DRY LOCATION ONLY

EXISTING TAPE

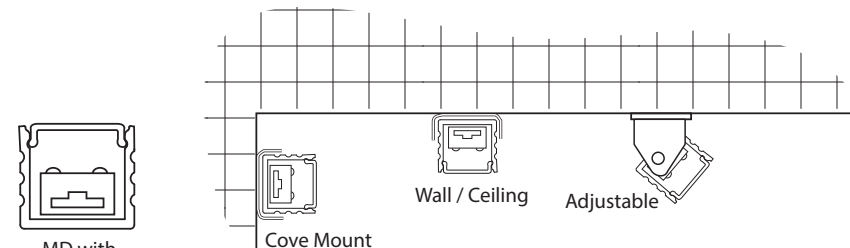
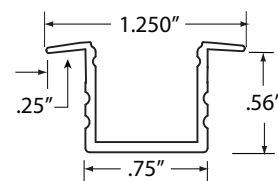
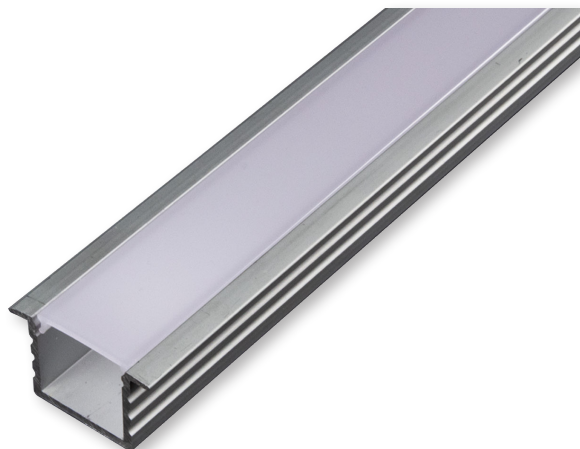
Not Vision120 or LTR-1200

Custom lengths available - consult factory

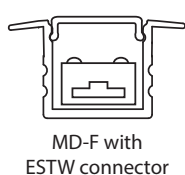
FEATURES

- Includes 2 mounting clips and screws
- Includes acrylic frosted lens
- End caps sold separately

PROJECT	TYPE
CATALOG NUMBER	



TYPICAL INSTALLATIONS



ORDERING INFORMATION

Model Number	Description	Length	Width	Depth	Finish
LED-CHL-XD-MD-F	Mini-deep flanged extruded channel. Includes snap-on lens.	48"	1.250"	.56"	Brushed Aluminum
LED-CHL-XD-MD-F-8	Mini-deep flanged extruded channel. Includes snap-on lens.	96"	1.250"	.56"	Brushed Aluminum
LED-CHL-XD-MD-F-DC	(2) Drywall spring clips with mounting screws				Stainless Steel
LED-CHL-XD-MD-F-EC	(2) End caps - one solid, one with wiring hole				Grey

TAPE / CONNECTOR COMPATIBILITY

Catalog No.	Length	Fits These Connectors	For LED Tape Series	Mill Dimensions
LED-CHL-XD-MD-F	48"	Sure-Tite and EZ Connectors	LTR-P, LTR-S, LTR-E Series Dry Location Only	.75" x .56"
LED-CHL-XD-MD-F-8	96"	Sure-Tite and EZ Connectors	Not Vision120 or LTR-1200 Series	.75" x .56"

Please check our website at www.gmlighting.net for new additions to our line of architectural mounting extrusions.

**LED-CHL-XD
 LED-CHL-XD-8**

PROJECT	TYPE
CATALOG NUMBER	

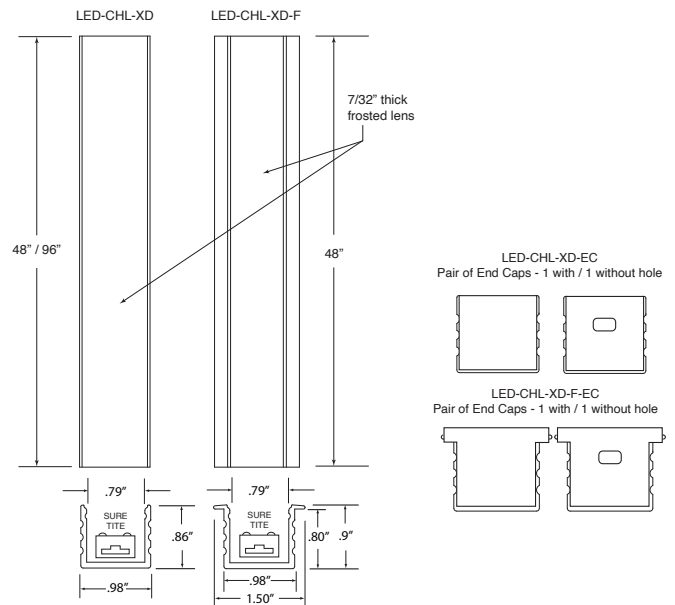
PRODUCT DESCRIPTION

Extruded aluminum extra deep, surface and recessed channel with snap-in frosted glossy lens that provides a rigid, deep set linear mounting platform for the all GM Lighting LED linear tape. Channel creates a diode free light source. Fits the following GM tape:

FOR LTR SERIES TAPE
 LTR-P, LTR-S and LTR-E - DRY and WET LOCATION
 ALL EXISTING LED TAPE SERIES

FEATURES

- Includes 2 mounting clips and screws
- Includes acrylic frosted lens
- End caps sold separately



Diagrams shown with and without flange.
 For flange version, see LED-CHL-XD-F spec sheet.

ORDERING INFORMATION

Model Number	Description	Length	Width	Depth	Finish
LED-CHL-XD	Extra deep extruded aluminum channel	48"	.98	.88"	Brushed Aluminum
LED-CHL-XD-8	Extra deep extruded aluminum channel	96"	.98"	.88"	Brushed Aluminum
LED-CHL-XD-AMC	(2) Adjustable mounting clips				Stainless Steel
LED-CHL-XD-EC	(2) End caps - one solid, one with hole				Grey

TAPE / CONNECTOR COMPATIBILITY

Catalog No.	Length	Fits These Connectors	For LED Tape Series	Mill Dimensions
LED-CHL-XD	48"	Sure-Tite and EZ Connectors	LTR-P, LTR-S, LTR-E Series Dry and Wet Location	.98" x .86"
LED-CHL-XD-8	96"	Sure-Tite and EZ Connectors	All Existing Tape Series	.98" x .86"

Please check our website at www.gmlighting.net for new additions to our line of architectural mounting extrusions.

LED-CHL-XD-F

PROJECT	TYPE
CATALOG NUMBER	

PRODUCT DESCRIPTION

Extruded aluminum extra deep, flanged surface and recessed channel with snap-in frosted glossy lens that provides a rigid, deep set linear mounting platform for the all GM Lighting LED linear tape. Channel creates a diode free light source. Fits the following GM tape:

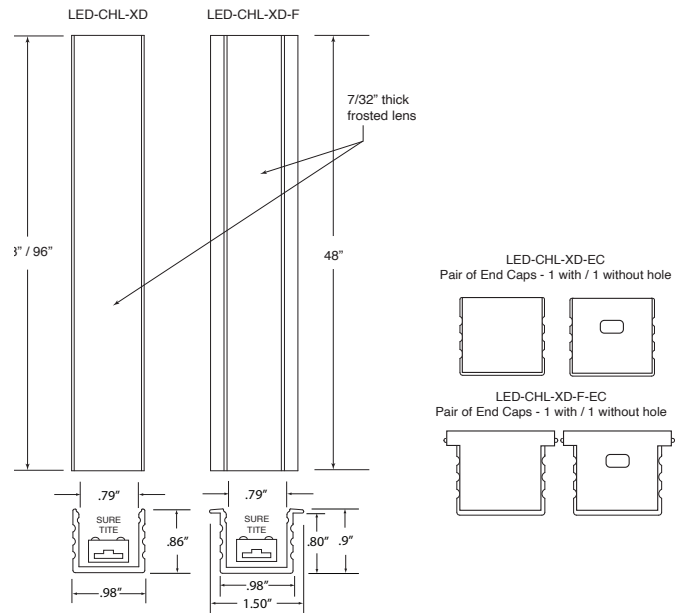
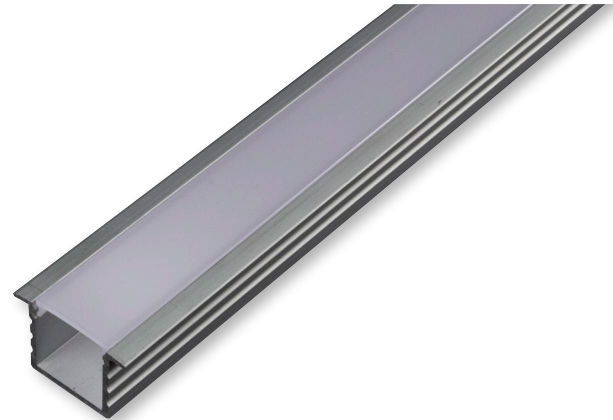
FOR LTR SERIES TAPE

LTR-P, LTR-S and LTR-E - DRY and WET LOCATION

ALL EXISTING LED TAPE SERIES

FEATURES

- Includes 2 mounting clips and screws
- Includes acrylic frosted lens
- End caps sold separately



Diagrams shown with and without flange.
For un-flanged version, see LED-CHL-XD spec sheet.

ORDERING INFORMATION

Model Number	Description	Length	Width	Depth	Finish
LED-CHL-XD-F	Extra deep extruded aluminum channel	48"	1.5	.9"	Brushed Aluminum
LED-CHL-XD-F-DC	(2) Drywall mounting brackets				Stainless
LED-CHL-XD-F-EC	(2) End caps - one solid, one with hole				Grey
LED-CHL-XD-MC	(2) Additional mounting clips				Aluminum

TAPE / CONNECTOR COMPATIBILITY

Catalog No.	Length	Fits These Connectors	For LED Tape Series	Mill Dimensions
LED-CHL-XD-F	48"	Sure-Tite and EZ Connectors	LTR-P, LTR-S, LTR-E Series Dry and Wet Location	.98" x .9"
LED-CHL-XD-F-8	96"	Sure-Tite and EZ Connectors	All Existing Tape Series	.98" x .9"

Please check our website at www.gmlighting.net for new additions to our line of architectural mounting extrusions.



GMLighting®

“Lighting Enhanced by Design”

18700 Ridgeland Ave.
Unit 150
Tinley Park, IL 60477
Toll-Free: (866) 671-0811
Fax (708) 478-2640

tech@gmlighting.net
www.gmlighting.net

Specifications are subject to change without notice.