

LED-CHL-W

PROJECT	TYPE
CATALOG NUMBER	

PRODUCT DESCRIPTION

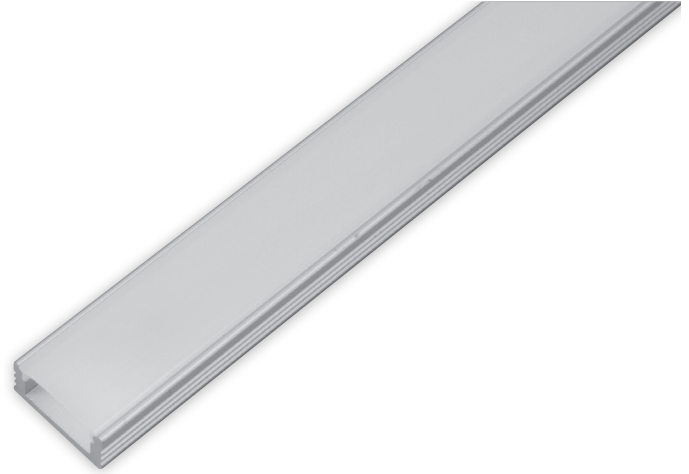
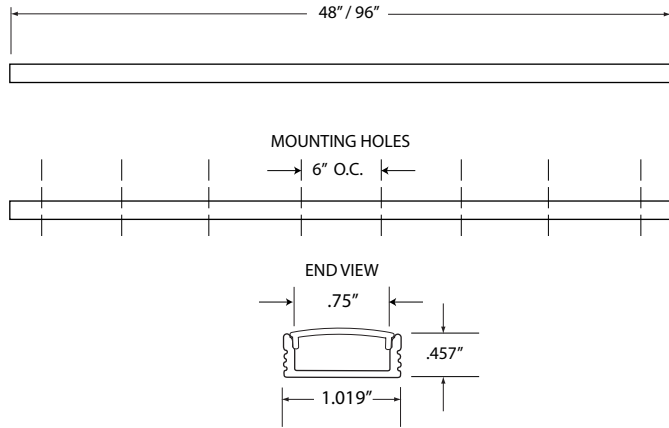
Extruded wide aluminum channel with snap on semi-frosted diffusion lens that provides a rigid linear mounting platform wide enough to accommodate the following GM Lighting LEDTask Flexible LED Linear Ribbons:

FOR LTR SERIES TAPE

LTR-P, LTR-S and LTR-E - DRY and WET LOCATION
ALL EXISTING TAPE EXCEPT VISION120

FEATURES

- Includes 2 mounting clips and screws
- Includes acrylic frosted lens
- End caps sold separately



ORDERING INFORMATION

Model Number	Description	Length	Width	Depth	Finish
LED-CHL-W	Extruded wide architectural aluminum channel	48"	1.019"	.457"	Brushed Aluminum
LED-CHL-W-8	Extruded wide architectural aluminum channel	96"	1.019"	.457"	Brushed Aluminum
LED-CHL-W-AMC	(2) Adjustable mounting brackets				Stainless
LED-CHL-W-EC	(2) End caps - one solid, one with hole				Grey
LED-CHL-W-MC	(2) Additional mounting clips				Stainless

TAPE / CONNECTOR COMPATIBILITY

Catalog No.	Length	Fits These Connectors	For LED Tape Series	Mill Dimensions
LED-CHL-W	48"	Sure-Tite and EZ Connectors	LTR-P, LTR-S, LTR-E Series Dry location only	1.019" x .457"
LED-CHL-W-8	96"	Sure-Tite and EZ Connectors	All Existing Tape Except Vision120	1.019" x .457"

Please check our website at www.gmlighting.net for new additions to our line of architectural mounting extrusions.