

LED-CHL-BND

PROJECT	TYPE
CATALOG NUMBER	

PRODUCT DESCRIPTION

Extruded aluminum flexible channel with snap-in frosted acrylic lens that enables free-form, large radius mounting of most GM Lighting LED linear tape.

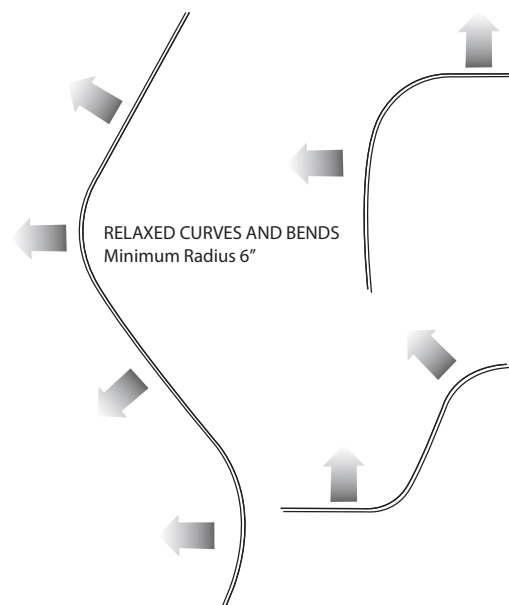
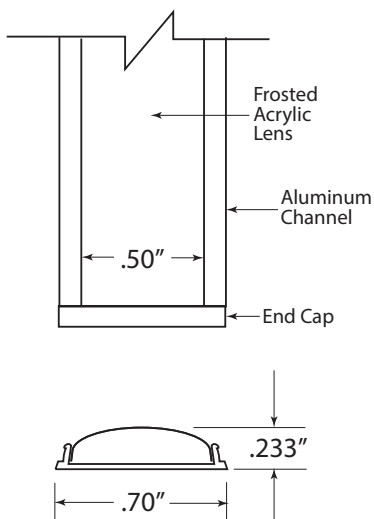
FOR LTR SERIES TAPE (DRY LOCATION ONLY)

LTR-P, LTR-S and LTR-E

LTR-300 Series ESR Series CTK Series HDT Series

FEATURES

- Includes 4 - 1/2" mounting clips and screws
- Includes acrylic frosted lens
- End caps sold separately



ORDERING INFORMATION

Model Number	Description	Length	Height	Width	Finish
LED-CHL-BND-4	Bendable LED Aluminum Channel with Frosted Lens	48"	.233"	.70"	Aluminum
LED-CHL-BND-8	Bendable LED Aluminum Channel with Frosted Lens NOTE: 8' CHANNEL IS SOLD IN QUANTITIES OF 5 OR MORE	96"	.233"	.70"	Aluminum
LED-CHL-BND-EC	(2) End caps - one solid, one with hole				Grey

Each channel comes with mounting hardware.

TAPE / CONNECTOR COMPATIBILITY

Catalog No.	Length	Fits These Connectors	For LED Tape Series	Mill Dimensions
LED-CHL-BND	48"	Soldered leads only	LTR-P, LTR-S, LTR-E Series Dry location only	.70" X .233"
LED-CHL-BND-8	96"	Soldered leads only	LTR-300, ESR, CTK and HDT Series	.70" X .233"

Please check our website at www.gmlighting.net for new additions to our line of architectural mounting extrusions.