

PROJECT	TYPE
CATALOG NUMBER (FOR CUSTOM LENGTHS, PLEASE SEE ORDERING EXAMPLE BELOW)	

### PRODUCT OVERVIEW

Pathway or Perimeter lighting enables unobtrusive yet powerful 'marker' lights to define simple or complex pathways, driveways, property lines, etc. Additionally, these miniature luminaires can also be used as wet location accent lights. Available in open lens round or square formats, or as a round scoop trim. White, Black or Brushed Nickel.

### KEY FEATURES

- 12V
- Suitable for wet location
- Dimmable
- Easy to install and daisy-chain
- 90 lumens

### ELECTRICAL

- 12VDC
- Rated life: 50,000 hrs.

### OPTICS

- 80+ CRI
- 3000K

### CERTIFICATION

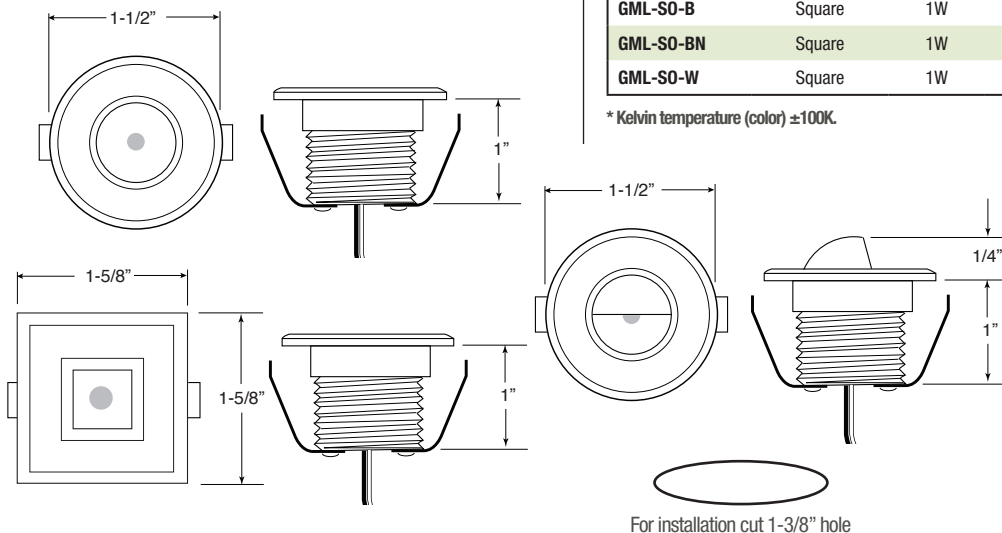
- ETL

### WARRANTY

- 5 year warranty



### PRODUCT DIAGRAMS



### PRODUCT ORDERING

Catalog Number	Format	Wattage	Lumens	Beam Angle	Color Temp*	Finish
GML-RO-B	Round	1W	90	45°	3000K	Black
GML-RO-BN	Round	1W	90	45°	3000K	Brushed Nickel
GML-RO-W	Round	1W	90	45°	3000K	White
GML-RS-B	Round Scoop	1W	90	45°	3000K	Black
GML-RS-BN	Round Scoop	1W	90	45°	3000K	Brushed Nickel
GML-RS-W	Round Scoop	1W	90	45°	3000K	White
GML-SO-B	Square	1W	90	45°	3000K	Black
GML-SO-BN	Square	1W	90	45°	3000K	Brushed Nickel
GML-SO-W	Square	1W	90	45°	3000K	White

\* Kelvin temperature (color) ±100K.

### CONNECTION DIAGRAM

Connect the positive and negative leads from fixture to the 12V power supply.

