



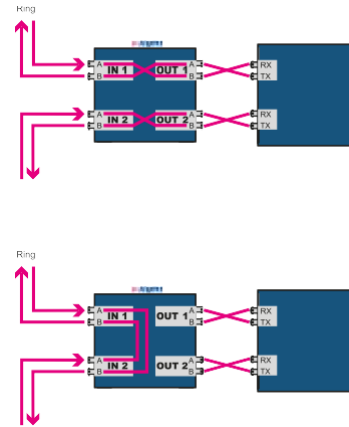
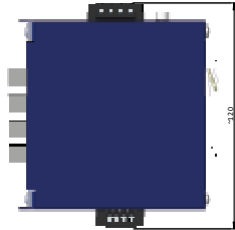
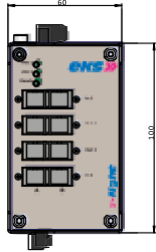
## XL-OPTICAL BYPASS

### OPTICAL BYPASS PROTOCOL TRANSPARENT

x-light ensures a safe communication even in case of device failure by optically bypassing the defective node so that a permanent data transmission is guaranteed. x-light is manufacturer and protocol independent so that it perfectly integrates into every network, regardless of the structure (ring or line). x-light is activated once the voltage is lower than the adjusted voltage level. Furthermore, the system can be controlled flexibly via the trigger input, e.g. in case of service or failures.

x-light provides highest availability in multi- or singlemode fiber optic networks. Additional features are a high temperature range, a redundant power supply, a cost effective solution because it needs no additional UPS (uninterrupted power supply) and it reduces service costs.

The stainless steel housing offers an extremely high degree of flexibility and safety for all kinds of indoor and outdoor applications. It can either be mounted onto a DIN EN rail or fastened onto the wall.



Typ	50/125 MM-ST	50/125 MM-SC	50/125 MM-LC	62,5/125 MM-ST	62,5/125 MM-SC	62,5/125 MM-LC	9/125 SM-ST	9/125 SM-SC	9/125 SM-LC
Article no.	01500 5021	01500 5023	01500 5024	01500 6221	01500 6223	01500 6224	01500 0931	01500 0933	01500 0934
FO connector	ST	SC	LC	ST	SC	LC	ST	SC	LC
Fiber	Multimode 50/125 µm			Multimode 62.5/125 µm			Singlemode 9/125 µm		
Wavelength	850 nm (±40 nm) 1310 nm (±40 nm)						1310 nm (±40 nm) 1550 nm (±40 nm)		
INSERTION LOSS	≤ 1.4 dB						≤ 1.7dB		
Durability SWITCH	10 million								
Switching SPEED	15 ms max./4 ms typ./4 ms in a temperature range between +5 °C and +70 °C								
Switching type	non latching								
Switch-on delay	5 s, 10 s, 20 s and/or 40 s, switchable by DIP-Switch								
THRESHOLD level	Between 10 V and 64 V switchable by DIP-Switch (1 V, 2 V, 4 V, 8 V, 16 V and/or 32 V)								
RS485 connector	2 x 4-pin power supply / 4 pin failure relay and signal input								
Status-LEDs	Power (green) / error (red) / ready (green)								
Power SUPPLY	10–64 VDC								
Power CONSUMPTION	2.5 Watts								
Failure relay	25 VDC (1 A) / 60 VDC (0.3 A)								
Operating temperature	–40 °C – +70 °C								
EMC	EN61000-6-2/EN55022 Class B + A1 + A2								
Weight	500 g								
DIMENSIONS	60 x 100 x 113 mm (60 x 120 x 113 mm incl. connector)								
HOUSING	Stainless steel, powder coated								