



RoHS-compliant

4-Port IP50 Serial Server

SE5404D

- 8KV ESD protection for serial signals
- Dual 10/100Mbps Fast Ethernet for redundancy with full duplex auto negotiation
- 4-port RS-232/RS-422/RS-485, baud rate up to 460.8 Kbps
- Rigid IP50 Metal housing, DIN-Rail and wall mount support
- Support RAW TCP Server/ TCP Client / UDP / Virtual COM / Tunneling Modes
- Configuration: Built-in Web Server /Serial Console/ Telnet / Windows-based Utility
- Monitor, manage and control industrial field devices remotely

Make Serial Devices Ready to the Network

The Industrial Serial Server SE5404D is a 4-port gateway between Ethernet (TCP/IP) and serial signal communications. It allows almost any serial device to be connected to a new or existing Ethernet network.

By encapsulating serial data and transporting it over to Ethernet, SE5404D offers full-duplex, bi-directional data transmission transparent between serial port and Ethernet network.

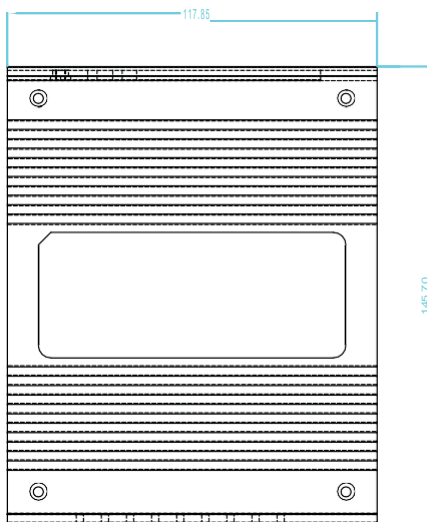
Easy to Use

Flexible configuration options enable this unit to be setup over Ethernet by Telnet, Web browser, Serial Console, or other utilities. Packed in a rugged metal housing for DIN rail or wall mount with 9–48VDC wide power input range, SE5404D is ideal for almost any industrial and manufacturing automation. Atop Virtual COM software provides existing Windows based applications to access a serial device by mapping to a remote serial server via Ethernet.

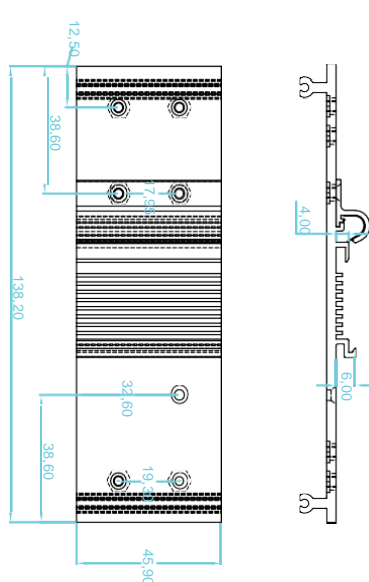
Specially Designed for Automation Fields

In industrial and manufacturing automation fields, SE5404D is used as a field device to connect Ethernet through TCP/IP protocol directly. It is also specially designed for conjunction with PLCs, HMIs, Barcode Scanners, Data Terminals, Electronic Kanbans, Shop Floor Control Systems, and Pick-to-Light Systems.

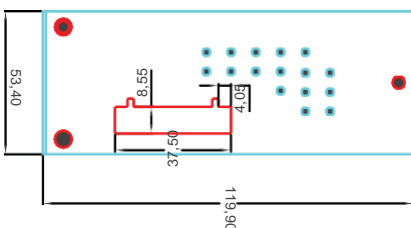
Side View



Rear View



Top View



Dimensions (unit = mm)

4-Port IP50 Serial Server



Specifications	
System	
CPU	32-bit 266MHz RISC Processor with MMU
Flash	2+8 MB (2MB for Bootloader)
RAM	32 Mbytes DDR
EEPROM	8K Bytes
Watchdog	Hardware build-in
Ethernet	
Compliance	IEEE802.3
Port	2
Transmission Rate	10/100 Mbps Auto-detection
Connector	RJ-45
Auto MDI/MDI-X	Yes
Link Mode	
TCP Server	Up to 4 connections or Virtual COM / Reverse Telnet modes
TCP Client	Up to 2 destination or Virtual COM mode
UDP	Up to 8 Ranges of IPs
Serial	
Interface	RS-232/422/485 Software selectable(SE5404D/SE5404D-TB) RS-422/485 Software selectable(SE5404D-Sis)
Ports	4 Ports
Baud Rate	50bps~460.8kbps (SE5404D/SE5404D-TB) 300bps~460.8kbps (SE5404D-Sis)
Parity	None, Odd, Even, Mark, Space
Data bits	5, 6, 7, 8
Stop Bit	1, 2
Flow Control	None, Software:Xon/Xoff, Hardware:RTS/CTS
Protection	8KV ESD / 2KV Magnetic Isolation (SE5404D-Sis only)
Connector	9-pin D-Sub / 5-Pin 3.81mm lockable Terminal Block
Power	
Input	9-48DCV, 0.65A max
Consumption	Max. 5.85W
Connector	7-pin 5.08mm connector for redundant power input
LED	
Indicator	COM, LAN, RUN
Environment	
Operating	-40°C~80°C(-40°F~176°F)
Storage	-40°C~85°C(-40°F ~185°F)
Humidity	5%~95% Non-condensing
Dimension	
W x H x D	53.4mm x 145.7mm x 119.9mm
Physical	
Weight	900g
Installation	DIN-Rail / Wall mount (Optional)
Warranty	5 years
MTBF	
Preceding	188251 hours / 21.5 years (MIL-HDBK-217F)
Software	
Configuration	Web Page / Telnet / Serial console / Windows Utility
Virtual COM	Windows & Linux port redirection software
Supported Protocol	ICMP, TCP (UDP)/IP, DHCP Client, NTP,DNS, SNMP, SMTP, HTTP,Telnet

Ordering Information	
SE5404D	P/N:1P1SE5404D0001G 4-Port Serial Device Server, DIN-Rail, D-Sub
SE5404D-TB	P/N:1P1SE5404D0003G 4-Port Serial Device Server, DIN-Rail, Terminal Block
SE5404D-Sis	P/N:1P1SE5404D0002G 4-Port Serial Device Server, DIN-Rail, Terminal Block, 2KV Magnetic Isolation

Optional Accessories	
Power adapter	US315-12 (US-Y) P/N:50500151120009G Y-Type power adapter, 100-240VAC input, 1.25A @ 12VDC output, US plug
	USE315-12 (EU-Y) P/N:50500151120019G Y-Type power adapter, 100-240VAC input, 1.25A @ 12VDC output, EU plug
7-pin Terminal Block	P/N:50707871G Lockable 7-pin 5.08mm Pitch Terminal Block with 180° Angle
7-pin Terminal Block	P/N:50707741G Lockable 7-pin 5.08mm Pitch Terminal Block with 90° Angle
Wall Mount kit	P/N:202EH73100003G Black metal wall mount kit
Console Cable	P/N:50891971G 90cm RJ-45 to DB9 female console cable
Grounding Cable	P/N:59906861G 120mm copper woven grounding cable
DB9 to TB5 converter	P/N:59906231G Female DB9 to Female 3.81mm TB5 Converter
Conductive DIN-Rail Kit	P/N:201EH73100005G Conductive silver metal DIN-Rail Kit

Regulatory Approvals					
EMC	FCC Class A, CE Class A				
EMS					
Test	Item	Value	Level	Criteria	
IEC 61000-4-2	ESD	Enclosure Contact	6 kV	3	A
		Enclosure Air	8 kV	3	A
IEC 61000-4-3	RS	Enclosure Ports	10 V/m	3	A
IEC 61000-4-4	EFT	Signal Ports	1 kV	3	A
		Power Ports	2 kV	3	A
IEC 61000-4-5	Surge	Signal Ports	2 kV line-to-earth	3	A
		Power Ports	0.5 kV line-to-earth	2	A
IEC 61000-4-6	CS	Signal Ports	10 V	3	A
		Power Ports	10 V	3	A
IEC 61000-4-8	PFMF	Enclosure Ports	1 A/m continuous	1	A
Safety	EN 60950-1:2011				
Shock	IEC 60068-2-27				
Freefall	IEC 60068-2-32				
Vibration	IEC 60068-2-6				
MTBF	21 years				
RoHS II	Yes				

Atop Technologies, Inc.
TEL : +886-3-5508137
FAX : +886-3-5508131
sales@atop.com.tw http :
//www.atop.com.tw

Industrial Communication Products Ltd
Tel: +44(0) 203 086 9569

Web: www.industrialcomms.com

Email: sales@industrialcomms.com

