

# P | Cabling

## Data sheet

**M12 plug, D-coded, IP67  
Cat. 5, field assembly, straight**

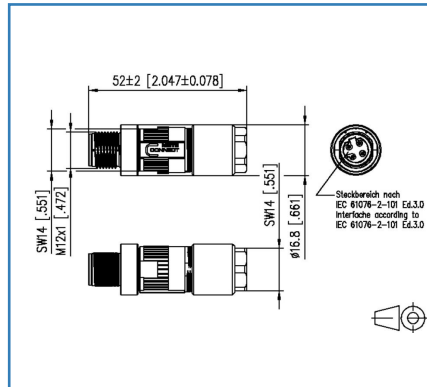
Page 1/6

P/N  
**MNF881A115**  
EAN 4250184190318  
2020/03/26  
Version: D

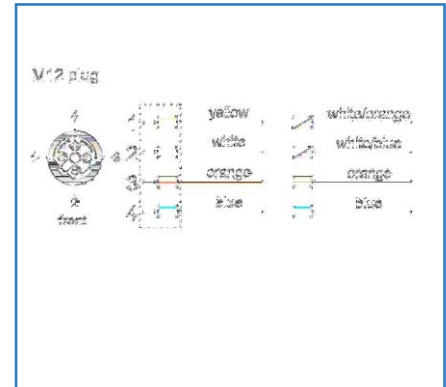
### Illustrations



Dimensional drawing



Wiring



See enlarged drawings at the end of document

### Product specification

- Field-attachable M12 plug, Cat.5, D-coded based on DIN EN 61076-2-101
- for a 4 wire cable connection
- 4-wire M12 plug for AWG 22 to be assembled in the field
- connection of AWG 26/7 - 22/7; AWG 24/1 - 22/1 possible
- solid copper wire diameter from 0.4 to 0.64 mm
- stranded copper wire diameter from 0.48 to 0.76 mm
- conductor diameter up to 1.6 mm
- cable jacket from 5.0 to 9.7 mm
- consists of only 2 parts
- easy assembly - connection without special tools
- zinc die-cast housing for industrial use



**Data sheet**  
**M12 plug, D-coded, IP67**  
**Cat. 5, field assembly, straight**

## Technical Data

### General Data

Design	plug
Shielding	shielded
Transmission technology	Copper
Dimensions	
Dimension (L x W x H)	52 mm x 16.8 mm x 16.8 mm
Dimension (L x W x H)	2.047 in. x 0.661 in. x 0.661 in.
Field assembly ability	yes
Labeling option	on housing

### Transmission characteristics

Category (ISO)	5
Category (TIA)	5

### Connections/interfaces

Connector technology interface 1	IDC-connection
Connector technology interface 2	M12-plug
Coding interface 2	D-coded
Number of ports interface 2	1
Number of ports interface 2 equipped	1
Number of positions/contacts interface 1	4
Number of positions/contacts interface 2	4
Termination data, solid wire (min. - max.)	
Conductor cross section, solid wire	AWG 24/1 - AWG 22/1
Conductor cross section, solid wire	0.205 mm <sup>2</sup> - 0.324 mm <sup>2</sup>
Conductor diameter, solid wire (bare copper)	0.511 mm - 0.643 mm
Conductor diameter, solid wire (bare copper)	0.02 in. - 0.025 in.
Termination data, stranded wire (min. - max.)	
Conductor cross section, stranded wire	AWG 26/7 - AWG 22/7
Conductor cross section, stranded wire	0.141 mm <sup>2</sup> - 0.355 mm <sup>2</sup>
Conductor diameter, stranded wire (bare copper)	0.483 mm - 0.762 mm
Conductor diameter, stranded wire (bare copper)	0.019 in. - 0.03 in.

## Data sheet

### M12 plug, D-coded, IP67

### Cat. 5, field assembly, straight

Page 3/6

P/N

MNF881A115

EAN 4250184190318

2020/03/26

Version: D

## Technical Data

### Connections/interfaces

#### Core diameter (min. - max.)

Core diameter (conductor with insulation) 0.85 mm - 1.6 mm

Core diameter (conductor with insulation) 0.033 in. - 0.063 in.

#### Cable sheath diameter (min. - max.)

Cable sheath diameter 5 mm - 9.70

Cable sheath diameter 0.197 in. - 0.382

#### Cable access/outlet

straight M12

### Electrical characteristics

Current carrying capacity max. 1 A

Rated voltage 60 V

Insulation resistance min. 100 MOhm

Dielectric strength conductor-conductor (secondary) 1400 V DC

### Mechanical data

Mounting method screwable

Life - Number of mating cycles min. 100

### Materials and material properties

Material - Housing GD-Zn (zinc die-cast)

Material - Contact CuZn (brass)

Material - Contact finish Ni + Au (nickel-gold)

Material - Shield CuSn (tin bronze)

Material - Shield finish Sn (tin)

Material - Stuffer cap PA UL94-V0

Material - Finish Ni (nickel)

RoHS compliant

REACH - substance (SVHC) Lead / 7439-92-1

### Environmental conditions

#### Temperature (min. - max.)

Temperature - Storage °C -40 °C - 85 °C

Temperature - Storage °F -40 °F - 185 °F

Temperature - Operating °C -40 °C - 85 °C

Temperature - Operating °F -40 °F - 185 °F

#### Particulate ingress

IP6X when plugged in

**Data sheet**  
**M12 plug, D-coded, IP67**  
**Cat. 5, field assembly, straight**

## Technical Data

### Environmental conditions

Liquid ingress/immersion	IPX7 when plugged in
Damp heat	25 °C / +40 °C / 93% RH // 5 cycles
Overvoltage category	III
Pollution degree	2
Electromagnetic measurement	E2
Shock	490 m/s <sup>2</sup>

### The product meets the following standards

Application-specific communications cabling systems	
Profinet	yes
Connectors for electronic equipment	
circular connector	DIN EN 61076-2-101

### Classifications

ETIM 6.0	EC001121
ETIM 7.0	EC001121

### Packing details

Type of packaging	10 pc(s) / box
Packaging dimension (W x H x D)	247 mm x 161 mm x 58 mm
Packaging dimension (W x H x D)	9.724 in. x 6.339 in. x 2.283 in.

Data sheet  
**M12 plug, D-coded, IP67**  
**Cat. 5, field assembly, straight**

Page 5/6

P/N  
**MNF881A115**  
**EAN 4250184190318**  
2020/03/26  
Version: D

## Accessories

P/N	Designation
700669	M12 plug protection cap IP54



# P | Cabling

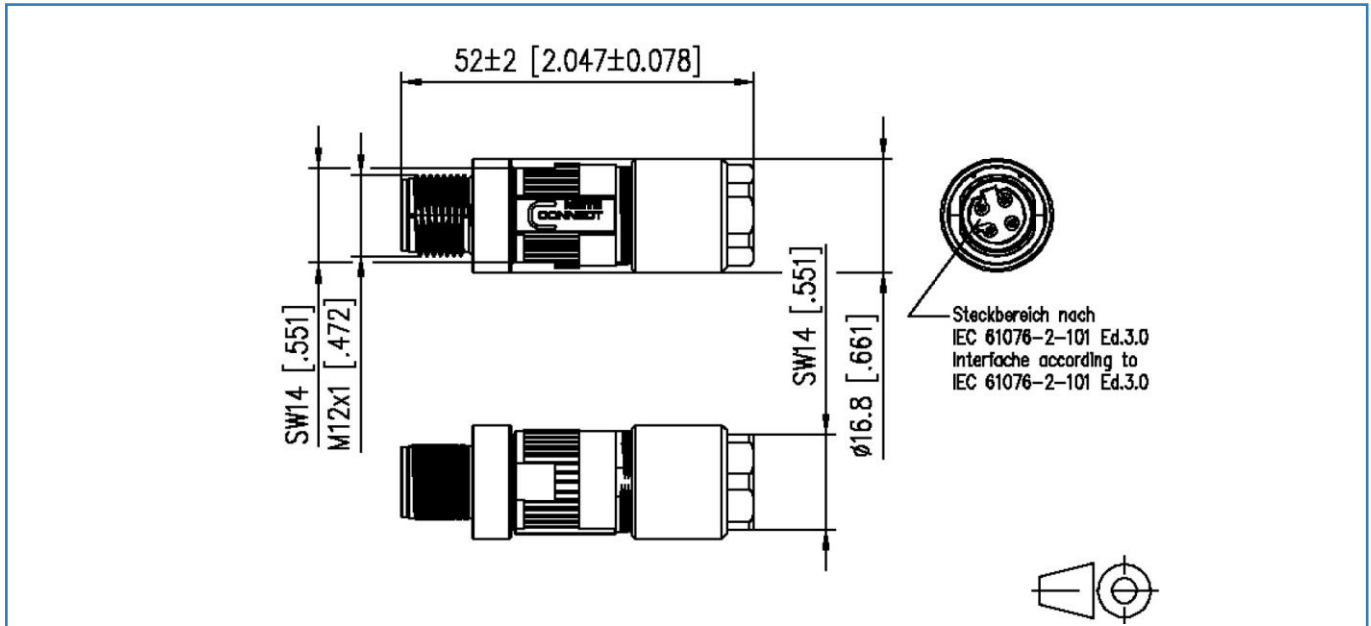
Data sheet  
**M12 plug, D-coded, IP67**  
**Cat. 5, field assembly, straight**

Page 6/6

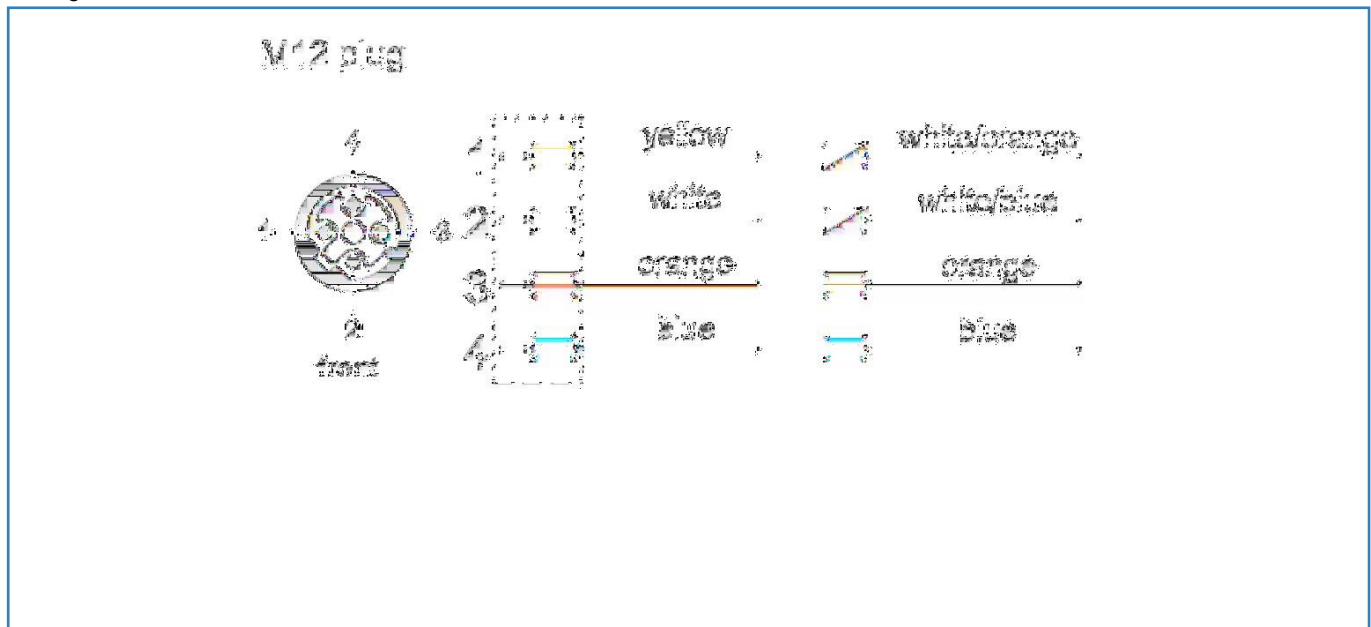
P/N  
**MNF881A115**  
**EAN 4250184190318**  
 2020/03/26  
 Version: D

## Illustrations

Dimensional drawing



Wiring



Industrial Communication Products Ltd

Tel: +44(0) 203 086 9569

Web: [www.industrialcomms.com](http://www.industrialcomms.com)

Email: [sales@industrialcomms.com](mailto:sales@industrialcomms.com)