

IMC-574I-SFP

10/100/1000Mbps 2TX/2SFP Intelligent Media Converter



Features

- ③ Versatile 4-port media converter
- ③ Supports SNMP for management
- ③ Supports a variety of SFP modules
- ③ Works under an extended temperature range
- ③ Supports OAM, VLAN, 1+1 revertive
- ③ Provides RS-232 CLI (command line interface) console port

Introduction

The IMC-574I is a value-based, managed Gigabit Ethernet solution that is ideal for use in fiber infrastructure. The IMC-574I comes with two SFP ports and two fixed 10/100/1000Base-T copper ports. There are four distinct DIP switch selectable configurations that feature the IMC-574I to be a 1+1 uplink port revertive mode, a 1+1 uplink protection non-revertive mode, a 4-port Gigabit switch, and a dual copper-to-fiber SFP media/mode converter (two Gigabit fiber media converters in one).

The term "1+1" refers to line protection where identical information is transmitted on two lines. The receiver chooses its communication line based on the revertive or non-revertive configuration. When a fault is detected on the active line, the traffic is switched to the redundant line. In the non-revertive mode, data is not resumed back to the original line unless the backup line fails or is disconnected. Once the original line is no longer in a fault condition, data can be resumed back to the original line.

Specifications

| Technical |
|--|
| Plug-and-Play Operation |
| 2 x RJ-45 and 2 x SFP ports (SFP sold separately) |
| IEEE 802.3u 100Base-TX, 1000Base-T over twisted pair |
| IEEE 802.3u 100Base-FX, 1000Base-X |
| Supports Jumbo Frames up to 10,240 bytes |
| Auto Negotiation, Auto-Cross for MDI/MDIX |
| Supports diagnostic LEDs |
| 1+1 uplink protection (<50 mSecs) |
| IEEE 802.3ah, IEEE 802.3ag |
| Y.1731 |
| SFP—MSA Standard |

* Simple Network Management Protocol-based element management software. To configure, update, manage and monitor from a central location.

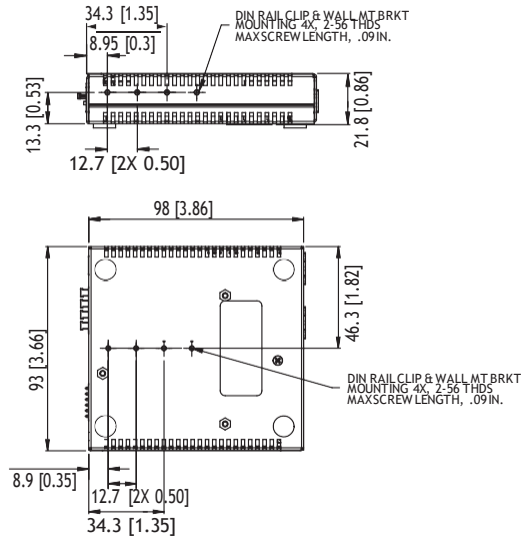
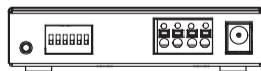
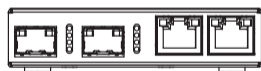
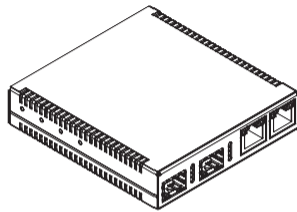


iView2: Webserver version, available for download from website.

| Environment | |
|---|--|
| Operating Temperature w/ AC Input | -10 to +50 °C (+14 to +122 °F) |
| Operating Temperature w/ DC Input | -40 to +85 °C (-40 to +185 °F) |
| Storage Temperature | -45 to +85 °C (-49 to +185 °F) |
| Operating Humidity | 10 ~ 95% (non-condensing) |
| MTBF | 522,644 Hours |
| Mechanical | |
| Dimensions (H x W x D) | 2.2 x 9.38 x 9.94 cm (0.86 x 3.66 x 3.86 in) |
| Weight | 0.45 kg (1.0 lb) |
| Power | |
| AC input: 100 - 240V AC, 50-60Hz, 0.48A | |
| DC input: 48V DC | |
| Certifications | |
| FCC Class A | |
| UL/cUL, CE | |

Dimensions

Unit: mm [inch]



Ordering Information

| Part Number | Also Known As | Ethernet Speed | Optical Mode | Distance | Optical Connector | Power Adapter |
|-----------------|---------------|------------------|--------------|----------|-------------------|----------------------------|
| IMC-574I-SFP | 854-11121 | 10/100/1000 Mbps | Various | Various | 2 x SFP | - |
| IMC-574I-SFP-PS | 858-11121 | 10/100/1000 Mbps | Various | Various | 2 x SFP | AC/DC Adapter, 15W @ 5V DC |

Accessories

| Part Number | Description |
|-------------|--|
| 806-39105 | DIN Rail Clip |
| 806-39720 | AC Power Adapter (10W, -10 to +50 °C) |
| 825-39951 | Serial Cable, MiniJack to DB9 (female) |
| 895-39229 | Wall-mount Bracket |

* SFP fibers sold separately – available at www.advantech.com

Industrial Communication Products Ltd

Tel: +44(0) 203 086 9569

Web: www.industrialcomms.com

Email: sales@industrialcomms.com