

IMC-380/390

10/100/1000Mbps PoE & PoE+ Media Converter



Features

- ③ Supports IEEE802.3at PoE+ (25.5W) and IEEE802.3af PoE (15.4W) standards
- ③ Serves as a power sourcing equipment (PSE) device
- ③ Supports jumbo frame functionality (up to 10240 bytes)
- ③ Supports multiple mounting options (desktop, DIN rail or wall-mount)
- ③ Features in configurable PoE reset on fiber LOS
- ③ Supports Link Fault Pass Through (LFPT)

Introduction

The IMC-380 and IMC-390 series are compact, multi-port media converters that support both IEEE802.3at PoE+ and IEEE802.3af PoE standards. These unmanaged, plug-n-play media converters with PoE capability are thus ideal solutions for Ethernet networks.

Designed with two 10/100/1000Base-T copper UTP ports and SFP or a fixed fiber transceiver, 1x9 uplink port for the network connection, the IMC-380 series can power one PD device through a standard CAT5 (or higher version) cable via one copper port while delivering data over the other port. The IMC-390 series is capable of powering up to two PD devices with a power budget of 60W.

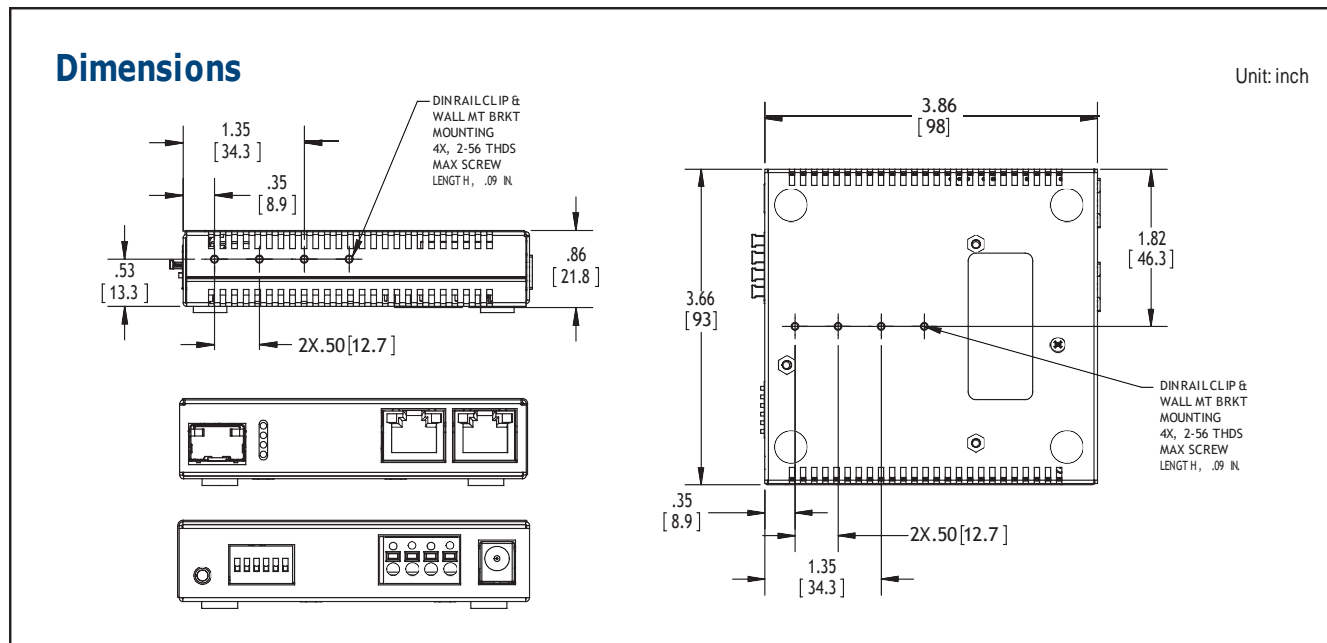
The IMC-380 and IMC-390 series support Link Fault Pass Through (LFPT) functionality. LFPT is a troubleshooting feature that combines TX Link Loss (Twisted Pair, copper interface) and FX Link Loss (Fiber, fiber interface) from both local and remote IMC network media converters, when used in pairs. This feature, when enabled, will pass a link fault through the device at each segment. If a link fails on one interface of the media converter, the media converter will force the link down on its link partner and then forward it to the next interface.

Specifications

Technical	
IEEE 802.3, 802.3u, 802.3ab, 802.3z	
IEEE 802.3at/af (IMC-390 series)	
IEEE 802.3af (IMC-380 series)	
AutoCross for MDI/MDIX	
FX and TX Auto Negotiation	
Supports Link Fault Pass Through (LFPT)	
AC Power Input	
100 to 240 VAC, 50/60Hz 0.7A for IMC-380 series	
100 to 240 VAC, 50/60Hz 2.31A for IMC-390 series	
DC Power Input	
45 to 57 VDC on DC terminal block for IMC-380 series	
51 to 57 VDC on DC terminal block for IMC-390 series	

Environment	
Operating Temperature (DC Terminal Block)	0 to +70 °C (+32 to +158 °F)
Operating Temperature (AC Adapter)	0 to +50 °C (+32 to +122 °F)
Storage Temperature	-35 to +75 °C (-31 to +167 °F)
Operating Humidity	5 ~ 95% (non-condensing)
	0 ~ 10,000 ft. altitude
MTBF	604,306 Hours (SFP Models)
	602,720 Hours (Fixed Fiber Models)
Mechanical	
Dimensions (H x W x D)	2.032 x 9.258 x 9.7 cm (0.8 x 3.645 x 3.82 in)
Weight	0.45 kg (1.0 lb)
Certifications	
CE, FCC Class A, UL/cUL, CSA	

* Simple Network Management Protocol-based element management software. To configure, update, manage and monitor from a central location.



Ordering Information

10/100/1000 Mbps PoE & PoE+ Media Converter w/ AC Adapter

Part Number	Also Known As	I E-PSE	Optical Mode	Wavelength	Distance	Optical Connector
IMC-380-SFP-US	857-11811	P E	Various	Various	Various	SFP
IMC-380-SFP-PS	-	P E	Various	Various	Various	SFP
IMC-390-MM-US	857-11912	P E+	Multi-mode	850nm	220/550m	SC
IMC-390-MM-PS	-	P E+	Multi-mode	850nm	220/550m	SC
IMC-390-M1-US	857-11913	P E+	Multi-mode	1300nm	2 km	SC
IMC-390-M1-PS	-	P E+	Multi-mode	1300nm	2 km	SC
IMC-390-SM-US	857-11914	P E+	Single-mode	1310nm	15 km	SC
IMC-390-SM-PS	-	P E+	Single-mode	1310nm	15 km	SC
IMC-390-SE-US	857-11915	P E+	Single-mode	1310nm	40 km	SC
IMC-390-SE-PS	-	P E+	Single-mode	1310nm	40 km	SC
IMC-390-SFP-US	857-11911	P E+	Various	Various	Various	SFP
IMC-390-SFP-PS	-	P E+	Various	Various	Various	SFP

Note: The P/N followed by 'US' is package with power adapter and US power cord. And the P/N followed by 'PS' is package with power adapter only.

10/100/1000 Mbps PoE & PoE+ Media Converter w/o AC Adapter

Part Number	Also Known As	I E-PSE	Optical Mode	Wavelength	Distance	Optical Connector
IMC-380-SFP	857-11811TG	P E	Various	Various	Various	SFP
IMC-390-MM	857-11912TG	P E+	Multi-mode	850 nm	550 m	SC
IMC-390-SM	857-11914TG	P E+	Single-mode	1310nm	15 km	SC
IMC-390-SFP	857-11911TG	P E+	Various	Various	Various	SFP

Accessories

Part Number	Description
806-39105	DIN Rail Clip
895-39229	Wall-mount Bracket
806-39800	Spare PoE Power Adapter for IMC-380 series
806-39900	Spare PoE+ Power Adapter for IMC-390 series

* SFP fibers sold separately – available at www.advantech.com