

IMC-318I

Centralized Powered Media Converter Chassis



Features

- ③ 18-slot chassis
- ③ Modular design, hot-swappable
- ③ Supports an extended operating temperature range
- ③ Features internal AC power

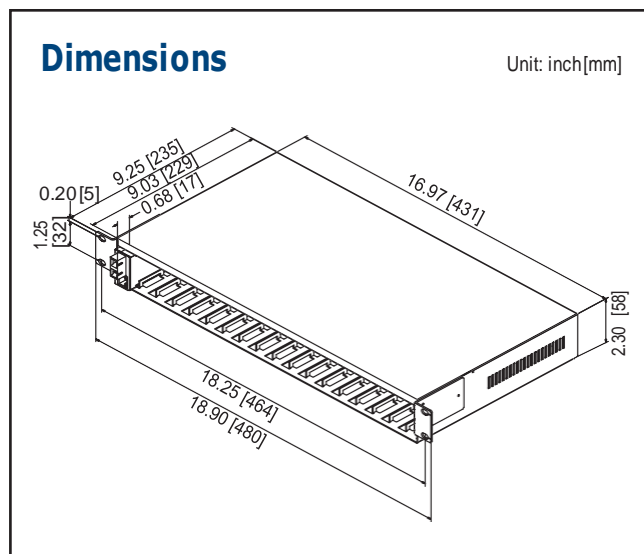
Introduction

The IMC-318I is a centralized powered chassis designed with a modular enclosure that takes up to 18 miniature media converters (the IMC-350/370 series). It provides high port density mounting and emphasizes power efficiency. By easily and effectively connecting multiple converters in one chassis, the IMC-318I eliminates the mass needs of AC power adapters, saving network device construction space.

Specifications

Technical	
18 slot chassis that can house miniature media convert IMC-350/370 series	
Single AC power supply included	
Fits into a 19" rack ; table top mounting	
Power AC	
100-240 VAC, 1.5A	
MTBF	
MTBF	150,422 hours

Environment	
Operating Temperature	-25 to +70 °C (-13 to +158 °F)
Storage Temperature	-25 to +70 °C (-13 to +158 °F)
Operating Humidity	5 ~ 95% (non-condensing)
	0 ~ 10,000 ft. altitude
Mechanical	
Dimensions (H x W x D)	5.8 x 43.10 x 23.5 cm (2.30 x 16.97 x 9.25 in)
Weight	4.5 kg (10.0 lb)
Certifications	
CE, FCC Class A, UL/cUL, CSA	



Ordering Information

Part Number	Also Known As	Slot	Power Cord
IMC-318I	-	18	-
IMC-318I-US	850-13086	18	US