

EKI-7706E-2F

EKI-7706E-2FI

4FE+2SFP Fast Ethernet Managed Redundant Industrial Switch



Features

- ③ 4 fast Ethernet ports + 2 SFP ports
- ③ SFP socket for easy and flexible fiber expansion
- ③ Redundancy: X-Ring Pro (ultra-high-speed recovery time, <20 ms), RSTP/STP(802.1w/1D)
- ③ IXM function enables fast deployment
- ③ Security: 802.1x (port-based, MD5/TLS/TTLS/PEAP encryption), RADIUS
- ③ Management: SNMP v1/v2c/v3, WEB, Telnet, standard MIB, private MIB
- ③ Wide operating temperature range of -40 ~ 85 °C (EKI-7706E-2FI)
- ③ Dual 12~48 V_{DC} power input and 1 x relay output
- ③ Support Security Pack to against internal and external cyber threats

Introduction

The EKI-7706E-2F and EKI-7706E-2FI support 4 fast Ethernet ports and 2 SFP ports. They provide abundant port options for connecting to various device types and are embedded with Advantech's IXM function, which benefits users with fast deployment and considerable savings on engineering time and costs. The EKI-7706E series also support NMS to help IT managers with networking maintenance and failure prevention. Finally, the series is equipped with X-Ring Pro, which can achieve ultra-high-speed recovery times of <20 ms, thus ensuring network stability.

Specifications

Interface

- ③ **I/O Port** 4 x 10/100BASE-T/TX RJ-45
2 x SFP (mini-GBIC) port
- ③ **Console port** RS-232 (RJ45)
- ③ **Power Connector** 6-pin screw terminal block (including relay)

Physical

- ③ **Enclosure** Metal Shell
- ③ **Protection Class** IP 30
- ③ **Installation** DIN-Rail
- ③ **Dimensions (W x H x D)** 43 x 120 x 84 mm (1.69" x 4.72" x 3.31")

LED Display

- ③ **System LED** PWR1, PWR2, SYS, Alarm and R.M.
- ③ **Port LED** Link / Speed / Activity

Environment

- ③ **Operating Temperature** -40 ~ 85 °C (-40 ~ 185 °F) EKI-7706E-2FI
-10 ~ 60 °C (14 ~ 140 °F) EKI-7706E-2F
- ③ **Storage Temperature** -40 ~ 85 °C (-40 ~ 185 °F)
- ③ **Ambient Relative Humidity** 10 ~ 95% (non-condensing)
- ③ **Humidity** 10 ~ 95% (non-condensing)

Power

- ③ **Power Consumption** 5.28W @ 48V_{DC} (System)
- ③ **Power Input** 12~48V_{DC}, redundant dual power input
- ③ **Fault Output** 1 Relay Output

Certification

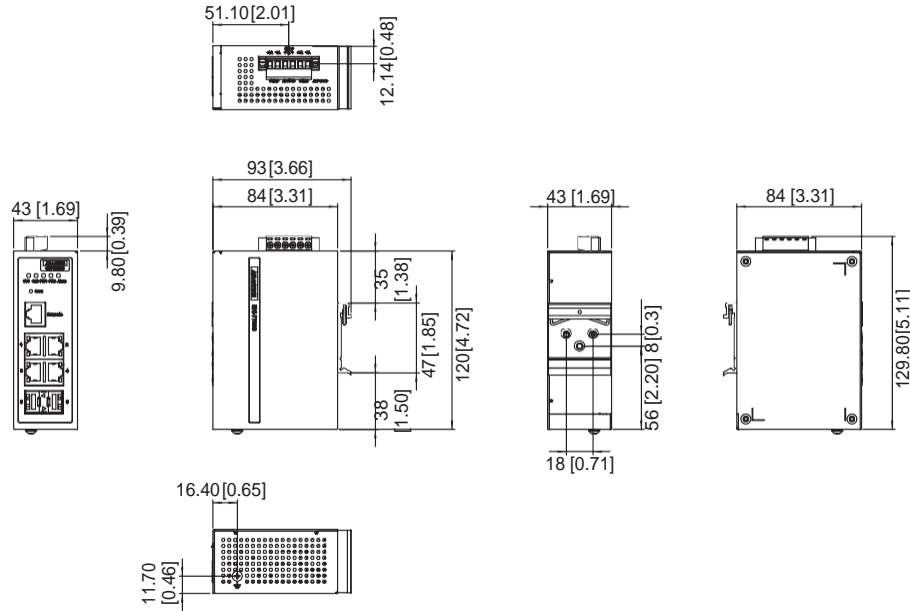
- ③ **EMI** CE, FCC Class A
- ③ **Safety** UL61010
- ③ **EMC** EN 61000-4-2
EN 61000-4-3
EN 61000-4-4
EN 61000-4-5
EN 61000-4-6
EN 61000-4-8
- ③ **Shock** IEC 60068-2-27
- ③ **Freefall** IEC 60068-2-32
- ③ **Vibration** IEC 60068-2-6

L2 Features

- ③ **L2 MAC Address** 8K
- ③ **Packet Buffer** 4.1 Mbit
- ③ **VLAN Group** 256 (VLAN ID 1~4094)
- ③ **VLAN Arrange** Port based VLAN, Q-in-Q (VLAN Stacking), GVRP
- ③ **Port Mirroring** Per port, multi-source port
- ③ **IP Multicast** IGMP snooping v1/v2/v3, MLD Snooping, IGMP immediate leave
- ③ **Storm Control** Broadcast, multicast, unknown unicast
- ③ **Redundancy** IEEE 802.1D-STP, IEEE 802.1s-802.1w-RSTP, X-Ring Pro, with ultra high-speed recovery time less than 20ms
- ③ **MSTP, IEEE**

Dimensions

Unit: mm[inch]



Panel Cut-out Dimensions: 84 (3.31) x 120 (4.72) x 43 (1.69)

QoS

- ③ **Priority Queue** WRR (Weighted Round Robin), SP (Strict Scheduling Priority) hybrid priority
- ③ **Class of Service** IEEE 802.1p based
CoS, IP TOS, DSCP based CoS
- ③ **Rate Limiting** Ingress rate limit, egress rate limit
- ③ **Link Aggregation** IEEE 802.3ad
dynamic port trunking, static port trunking

Security

- ③ **Port Security** Static, Dynamic IP Source Guard, ARP Spoofing Prevention, Access Control List, DHCP Snooping
- ③ **Authentication** 802.1x (Port-Based, MD5/TLS/TTLS/PEAP Encryption), TACACS+

Management

- ③ **DHCP** Client, server, option 66/67/82
- ③ **Access** SNMP v1/v2c/v3, WEB, Telnet, RMON, standard MIB, private MIB
- ③ **Security access** SSH2.0, SSL
- ③ **Software upgrade** TFTP, HTTP, dual image
- ③ **NTP/SNTP client**

Ordering Information

- ③ **EKI-7706E-2FI-AE** 4FE + 2SFP Port Managed Ethernet Switch w/Wide Temp
- ③ **EKI-7706E-2F-AE** 4FE + 2SFP Port Managed Ethernet Switch

