

EKI-5525S/M Series

4-port +1x100FX port (Single/Multi-mode, SC/ST type), Fast Ethernet ProView Switch



Features

- ③ Communicates with SCADA software via Modbus/TCP
- ③ Communicates with NMS (Networking management system) via SNMP
- ③ Port-based QoS for deterministic data transmission
- ③ -40~75°C operating temperature range (EKI-5525SI/SI-ST, EKI-5525MI/MI-ST only)
- ③ 12~48 V_{DC} (8.4 ~52.8 VDC)wide-range power input
- ③ EMS level 3 protection for extreme outdoor environments
- ③ IEEE 802.3az Energy Efficient Ethernet (EEE)
- ③ Jumbo Frame Support (Up to 9,216 Bytes)
- ③ Supports redundant 12~48V_{DC} power input and P-Fail relay
- ③ Loop detection



Introduction

The EKI-5525S/SI/S-ST/SI-ST and EKI-5525M/MI/M-ST/MI-ST are the world's first convergence switches for process control and IT networking management. This series uses Modbus/TCP to communicate with the SCADA software and SNMP to communicate with NMS (Networking Management System) at the same time, thereby allowing full read control over the devices either for control engineers or for IT. The devices come with the Port based QoS for deterministic data transmission allows the priority ports to prioritize the traffic coming over those ports and delay the less immediately necessary data over the remaining ports. EKI-5525S/SI/S-ST/SI-ST and EKI-5525M/MI/M-ST/MI-ST switches use the highest quality components, to enable the range to operate in temperatures of between -40 and 75°C along with EMS Level 3 protection to repel electromagnetic interface for industrial resistance.

Specifications

Communications

- ③ **Standard** IEEE 802.3, 802.3u, 802.3x, 802.1p, 802.3az
- ③ **LAN** 10/100Base-T(X), 100Base-FX
- ③ **Transmission Distance** Ethernet: Up to 100 m
- ③ **Multi-mode Fiber:** Up to 2km (EKI-5525M Series)
- ③ **Single-mode Fiber:** Up to 30 km (EKI-5525S Series)

Multi-Mode (EKI-5525M/MI/M-ST/MI-ST)

Wavelength: 1310nm
Tx Power: -14/-20 dBm
Rx Sensitivity: -32 dBm
Parameters: 50/125 um, 62.5/125 um

Single-Mode (EKI-5525S/SI/S-ST/SI-ST)

Wavelength: 1310 nm
Tx Power: -8/-15 dBm
Rx Sensitivity: -34 dBm
Parameters: 9/125 um
Transmission Speed

- ③ Up to 100 Mbps

Interface

- ③ **Connectors** 4 x RJ45 ports
1 x SC/ST type fiber optic connectors
6-pin screw Terminal Block (including relay)
- ③ **LED Indicators** P1,P2, P-Fail, Loop detection
10/100T(X): Link/Activity, Speed

Switch Properties

- ③ **AC Table Size** 2K
- ③ **Packet Buffer Size** 1Mbit
- ③ **Switching Capacity** 1 Gbps
- ③ **Jumbo Frame** 9216 bytes
- ③ **Power Consumption** Max. 2.8 W
- ③ **Power Input** 12~48 VDC (8.4~52.8 VDC), redundant dual inputs
- ③ **Fault Output** 1 Relay Output

Protection

- ③ **Reverse Polarity** Present
- ③ **Overload Current** Present

Environment

- ③ **Operating Temperature** EKI-5525S/S-ST/M/M-ST: -10~60°C (14~140°F)
- ③ **Storage Temperature** EKI-5525SI/SI-ST/MI/MI-ST: -40~75°C (-40~167°F)
- ③ **Operating Humidity** -40 ~ 75°C (-40 ~ 167°F) 10 ~ 95% (non-condensing)
- ③ **Storage Humidity** 10 ~ 95% (non-condensing)
- ③ **MTBF** 282,703 hours

Certification

- ③ **Safety** IEC/EN60950-1, UL508, Class 1 Division
- ③ **EMC CE, FCC**
- ③ **EMI** EN55011/55022 Class A, EN61000-6-4, FCC Part 15
- ③ **Subpart**
- ③ **B Class A**
- ③ **EMS** EN61000-4-2 (ESD) Level 3, EN61000-4-3 (RS) Level 3, EN61000-4-4 (EFT) Level 3
- ③ **EN61000-4-5 (Surge) Level 3**
- ③ **EN61000-4-6 (CS) Level 3**
- ③ **EN61000-4-8 (Magnetic Field) Level 3**
- ③ **IEC 60068-2-27**
- ③ **IEC 60068-2-32**
- ③ **IEC 60068-2-6**

Ordering Information

- ③ **EKI-5525S** 4-port +1 x100FX port (Single-mode, SC type),

Mechanism

- ③ **EKI-5525SI**
- ③ **EKI-5525M**
- ③ **EKI-5525MI**
- ③ **EKI-5525S-ST**
- ③ **EKI-5525SI-ST**

③ **Dimensions (W x H x D)**

③ **27 x 120 x 84 mm**

Fast Ethernet
 ProView Switch
 4-port +
 1
 x100FX
 port
 (Single-
 mode,
 SC
 type),
 Fast
 Ethernet
 ProView
 Switch
 with
 Wide
 Temperat
 ure 4-
 port + 1
 x100FX
 port
 (Multi-
 mode,
 SC
 type),
 Fast Ethernet
 ProView Switch
 4-port+ 1 x100FX
 port (Multi-mode,
 SC type),
 Fast
 Ethern
 et
 ProVie
 w
 Switch
 with
 Wide
 Temper
 ature 4-
 port +
 1
 x100F
 Xport
 (Singl
 e-
 mode,
 ST
 type),
 Fast Ethernet
 ProView Switch
 4-port + 1 x100FX
 port (Single-mode,
 ST type),
 Fast
 Ethernet
 ProView
 Switch
 with
 Wide
 Temperat
 ure 4-
 port + 1
 x100FX
 port
 (Multi-
 mode,
 ST
 type),
 Fast Ethernet
 ProView Switch
 ③

③ with solid mounting kits
 ③

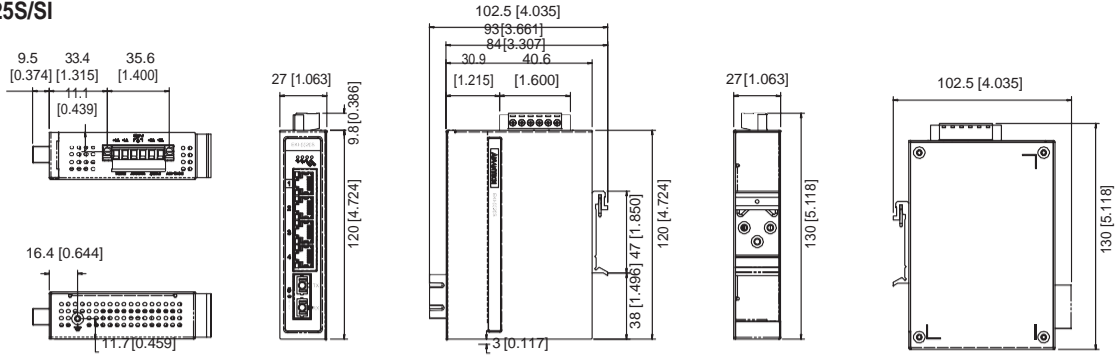
Enclosure IP30, metal shell
Mounting DIN-Rail, Wall

EKI-5525MI-ST 4-port + 1 x100FX port (Multi-mode,
 Fast Ethernet ProView Switch with Wide Temperature

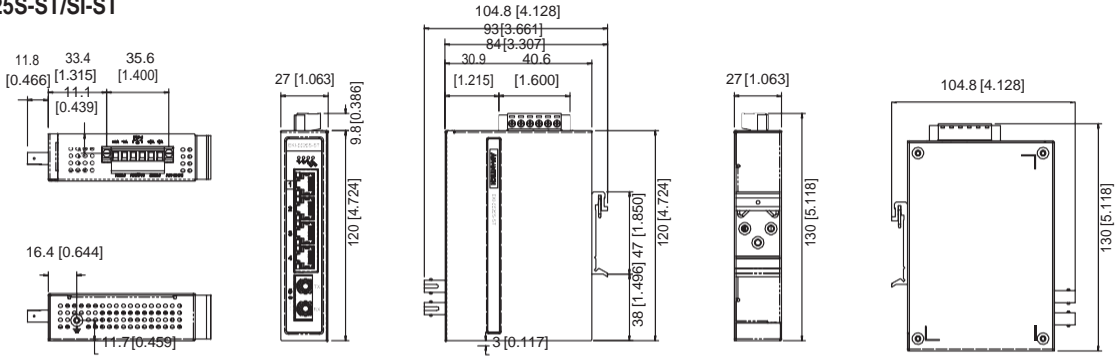
Dimensions

Unit: mm [inch]

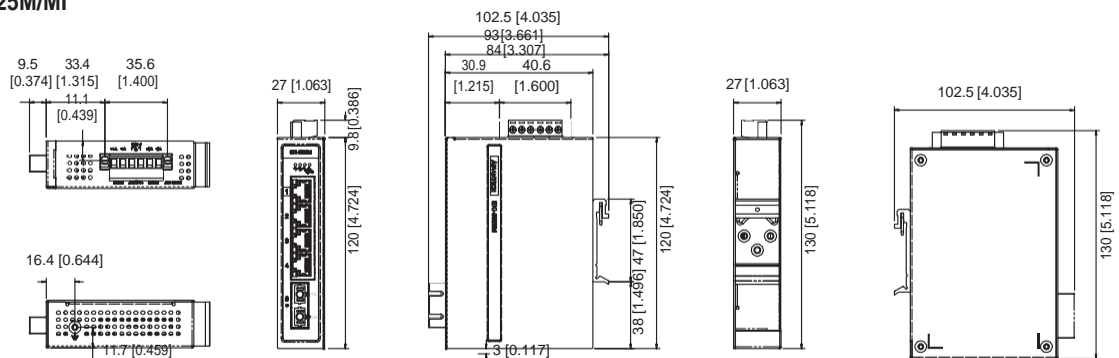
EKI-5525S/SI



EKI-5525S-ST/SI-ST



EKI-5525M/MI



EKI-5525M-ST/MI-ST

