

# EKI-5525S/M Series

4-port +1x100FX port (Single/Multi-mode, SC/ST type), Fast Ethernet ProView Switch



## Features

- ③ Communicates with SCADA software via Modbus/TCP
- ③ Communicates with NMS (Networking management system) via SNMP
- ③ Port-based QoS for deterministic data transmission
- ③ -40~75°C operating temperature range (EKI-5525SI/SI-ST, EKI-5525MI/MI-ST only)
- ③ 12~48 V<sub>DC</sub> ( 8.4 ~52.8 VDC )wide-range power input
- ③ EMS level 3 protection for extreme outdoor environments
- ③ IEEE 802.3az Energy Efficient Ethernet (EEE)
- ③ Jumbo Frame Support (Up to 9,216 Bytes)
- ③ Supports redundant 12~48V<sub>DC</sub> power input and P-Fail relay
- ③ Loop detection

## Introduction

The EKI-5525S/SI/S-ST/SI-ST and EKI-5525M/MI/M-ST/MI-ST are the world's first convergence switches for process control and IT networking management. This series uses Modbus/TCP to communicate with the SCADA software and SNMP to communicate with NMS (Networking Management System) at the same time, thereby allowing full read control over the devices either for control engineers or for IT. The devices come with the Port based QoS for deterministic data transmission allows the priority ports to prioritize the traffic coming over those ports and delay the less immediately necessary data over the remaining ports. EKI-5525S/SI/S-ST/SI-ST and EKI-5525M/MI/M-ST/MI-ST switches use the highest quality components, to enable the range to operate in temperatures of between -40 and 75°C along with EMS Level 3 protection to repel electromagnetic interface for industrial resistance.

## Specifications

### Communications

- ③ **Standard** IEEE 802.3, 802.3u, 802.3x, 802.1p, 802.3az
- ③ **LAN** 10/100Base-T(X), 100Base-FX
- ③ **Transmission Distance** Ethernet: Up to 100 m
- ③ **Multi-mode Fiber:** Up to 2km (EKI-5525M Series)
- ③ **Single-mode Fiber:** Up to 30 km (EKI-5525S Series)

### Multi-Mode (EKI-5525M/MI/M-ST/MI-ST)

Wavelength: 1310nm  
Tx Power: -14/-20 dBm  
Rx Sensitivity: -32 dBm  
Parameters: 50/125 um, 62.5/125 um

### Single-Mode (EKI-5525S/SI/S-ST/SI-ST)

Wavelength: 1310 nm  
Tx Power: -8/-15 dBm  
Rx Sensitivity: -34 dBm  
Parameters: 9/125 um  
**Transmission Speed**

- ③ Up to 100 Mbps

### Interface

- ③ **Connectors** 4 x RJ45 ports  
1 x SC/ST type fiber optic connectors  
6-pin screw Terminal Block (including relay)
- ③ **LED Indicators** P1,P2, P-Fail, Loop detection  
10/100T(X): Link/Activity, Speed

### Switch Properties

- ③ **AC Table Size** 2K
- ③ **Packet Buffer Size** 1Mbit
- ③ **Switching Capacity** 1 Gbps
- ③ **Jumbo Frame** 9216 bytes
- ③ **Power Consumption** Max. 2.8 W
- ③ **Power Input** 12~48 VDC (8.4~52.8 VDC), redundant dual inputs
- ③ **Fault Output** 1 Relay Output

### Protection

- ③ **Reverse Polarity** Present
- ③ **Overload Current** Present

### Environment

- ③ **Operating Temperature** EKI-5525S/S-ST/M/M-ST: -10~60°C (14~140°F)
- ③ **Storage Temperature** EKI-5525SI/SI-ST/MI/MI-ST: -40~75°C (-40~167°F)
- ③ **Operating Humidity** -40 ~ 75°C (-40 ~ 167°F) 10 ~ 95% (non-condensing)
- ③ **Storage Humidity** 10 ~ 95% (non-condensing)
- ③ **MTBF** 282,703 hours

### Certification

- ③ **Safety** IEC/EN60950-1, UL508, Class 1 Division
- ③ **EMC CE, FCC**
- ③ **EMI** EN55011/55022 Class A, EN61000-6-4, FCC Part 15
- ③ **Subpart**
- ③ **B Class A**
- ③ **EMS** EN61000-4-2 (ESD) Level3 EN61000-4-3 (RS) Level3 EN61000-4-4 (EFT) Level 3
- ③ **EN61000-4-5 (Surge) Level 3**
- ③ **EN61000-4-6 (CS) Level 3**
- ③ **EN61000-4-8 (Magnetic Field) Level 3**
- ③ **IEC 60068-2-27**
- ③ **IEC 60068-2-32**
- ③ **IEC 60068-2-6**

## Ordering Information

- ③ **EKI-5525S** 4-port +1 x100FX port (Single -mode, SC type),

### Mechanism

- ③ **EKI-5525SI**
- ③ **EKI-5525M**
- ③ **EKI-5525MI**
- ③ **EKI-5525S-ST**
- ③ **EKI-5525SI-ST**

**Dimensions (W x H x D)**

③ **27 x 120 x 84 mm**

Fast Ethernet  
 ProView Switch  
 4-port +  
 1  
 x100FX  
 port  
 (Single-  
 mode,  
 SC  
 type),  
 Fast  
 Ethernet  
 ProView  
 Switch  
 with  
 Wide  
 Temperat  
 ure 4-  
 port + 1  
 x100FX  
 port  
 (Multi-  
 mode,  
 SC  
 type),  
 Fast Ethernet  
 ProView Switch  
 4-port+ 1 x100FX  
 port (Multi-mode,  
 SC type),  
 Fast  
 Ethern  
 et  
 ProVie  
 w  
 Switch  
 with  
 Wide  
 Temper  
 ature 4-  
 port +  
 1  
 x100F  
 Xport  
 (Singl  
 e-  
 mode,  
 ST  
 type),  
 Fast Ethernet  
 ProView Switch  
 4-port + 1 x100FX  
 port (Single-mode,  
 ST type),  
 Fast  
 Ethernet  
 ProView  
 Switch  
 with  
 Wide  
 Temperat  
 ure 4-  
 port + 1  
 x100FX  
 port  
 (Multi-  
 mode,  
 ST  
 type),  
 Fast Ethernet  
 ProView Switch  
 ③

③ with solid mounting kits

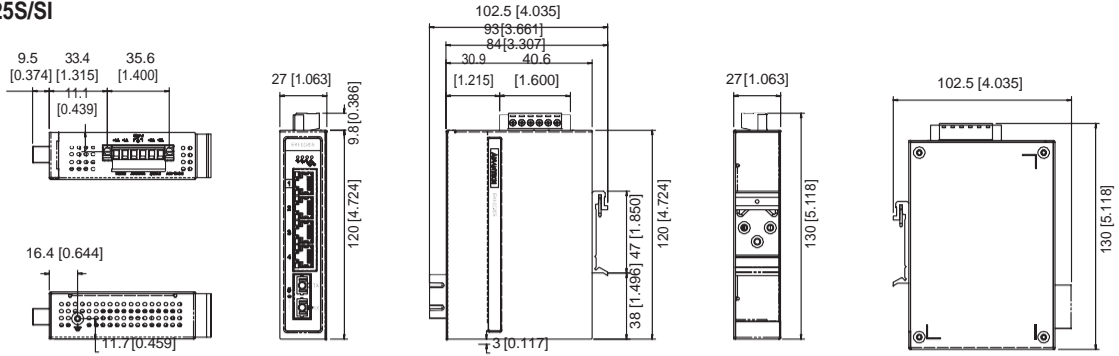
**Enclosure** IP30, metal shell  
**Mounting** DIN-Rail, Wall

**EKI-5525MI-ST** 4-port + 1 x100FX port (Multi-mode,  
 Fast Ethernet ProView Switch with Wide Temperature

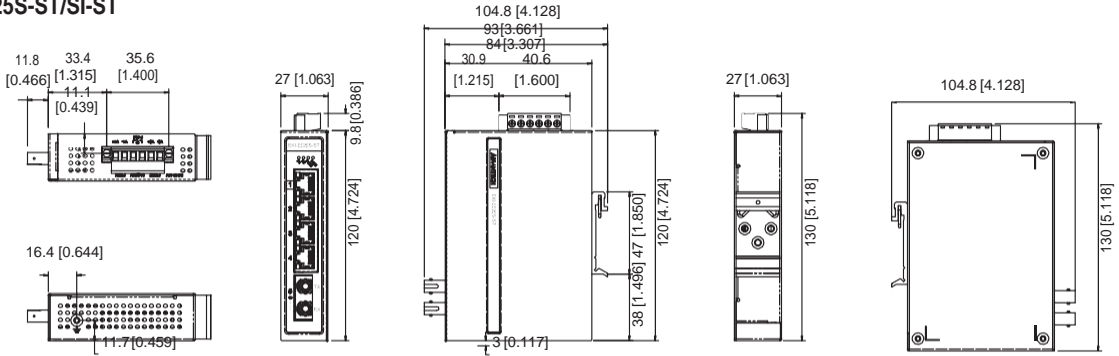
# Dimensions

Unit: mm [inch]

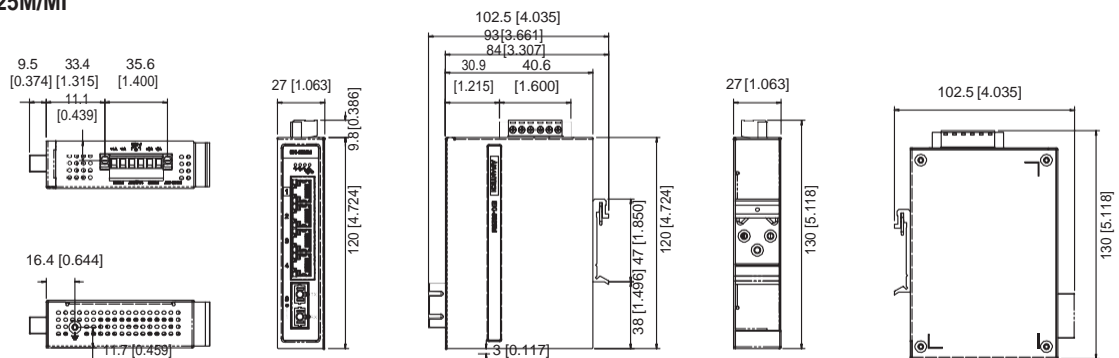
## EKI-5525S/SI



## EKI-5525S-ST/SI-ST



## EKI-5525M/MI



## EKI-5525M-ST/MI-ST

