

WE300

The compact gateway for the IIoT (Industrial Internet of Things)

Compact monitoring system for data acquisition, logging and delivery to the Cloud.

SIMPLICITY AND ADAPTABILITY

Through the integrated web interface it's easy to configure the monitoring functions, the data acquisition and the delivery of the data to a Cloud, to a FTP or by email report. in a personalized way.

ALARMS AND NOTIFICATIONS MANAGEMENT

WE300 allows to arrange a sophisticated system of notifications and alarms via SMS or Ring at the occurrence of predefined events, granting a reliable and constant supervision of unattended sites.

SMS REMOTE CONTROL

WE300 offers the main remote control functions via SMS: to turn on and off remotely, to set parameters and thresholds and to program a scheduler.

COMMUNICATION AND CONNECTIVITY

WE300 grants a secure and reliable communication thanks to an integrated 2G/GPRS Quad band Modem, to the LAN connectivity, to the RS232 and RS485 serial ports and to the I/O equipment on board.

WE300 allows to keep monitored unattended machines and plants. It collects data from the field, save them inside the integrated datalogger and deliver them to an optional centralized control station according to the desired times and modes.



Simple and efficient system for data acquisition and delivery



Low-budget investment for simple applications



Wireless communication secure and reliable



Cloud Ready for a simple and tailored data delivery



WE300

SYSTEM CHARACTERISTICS

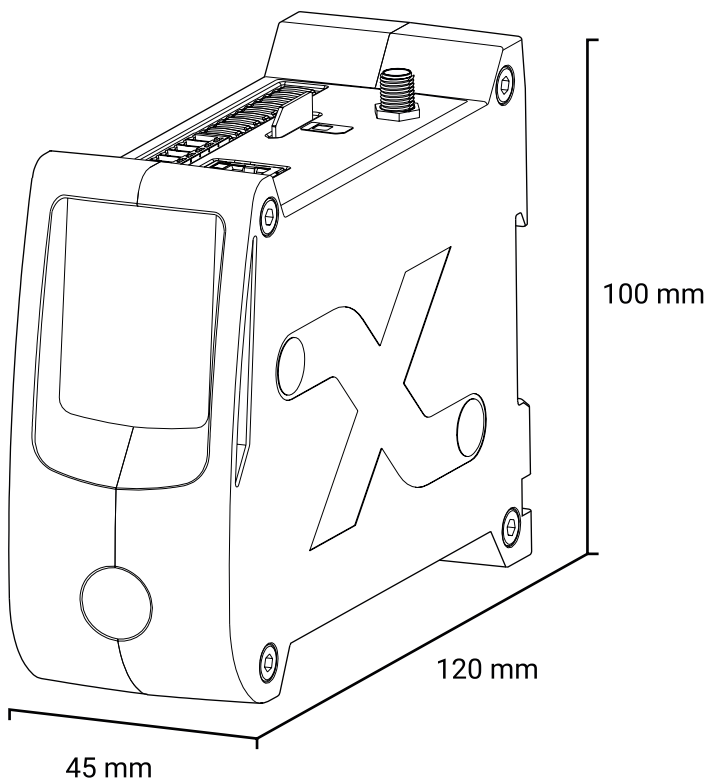
CPU	ARM9 @ 210MHz
RAM	64 MByte
Flash	512 MByte NAND
Operating system	Linux 2.6

ELECTRICAL CHARACTERISTICS

Power source	9-32VDC
Average current	300mA @ 12VDC
Peak current	500mA @ 12VDC
Analog inputs	2 inputs, not isolated, 0-5V, 0-10V 0..20mA, NTC 10K
Digital inputs	4 inputs, not isolated, dry contact
Digital outputs	2 relays, 1A 30VDC
I/O expandability	additional expansion modules available

MECHANICAL CHARACTERISTICS

Enclosure	Plastic, DIN rail mountable
Dimensions(LxWxH)	45 x 120 x 100 mm
Weight	220g
Operating temperature	from -10°C to +60°C
Storage temperature	from -25°C to +85°C
Humidity	5% - 95% (non condensing)



CONNECTIVITY

- Modem 2G

COMMUNICATION PORTS

- 1 serial port RS232
- 1 serial port RS485
- Ethernet 10/100 Mbit/s on RJ45

MAIN FUNCTIONALITY

- Input/Output monitoring and control
- Modbus Master RTU/TCP
- Built-in web server
- Scheduler
- Data Logger
- Remote software upgrade
- Configuration backup/restore
- Multi-level users and groups
- Alarms sending through SMS/Email

DATA DELIVERY

- SMS
- Email Report
- HTTP: JSON/XML
- HTTPS

APPLICATIONS

- Industrial IoT
- Water and gas
- Energy and environment
- Industrial automation
- Metering