

WE200

The industrial gateway for the remote assistance

WE200 is an industrial 3G/4G gateway with integrated VPN service, that allows the remote access and assistance on PLC, HMI and machines using serial interfaces, Ethernet and USB.

HIGH COMPATIBILITY

WE200 is compatible with all devices available with serial ports RS232/RS485 and USB, independently from the supported protocol.

IDEAL SOLUTION FOR THE REMOTE MAINTENANCE

The advanced routing functions of WE200 allow the remote management and control of unattended installations, the immediate troubleshooting in case of machine breakdown, avoiding downtimes and on-site services.

PLUG&PLAY

Using the free software Quicktunnel by Nethix, it's possible to enable the VPN service with just a click and establish a secure and transparent communication channel to the WE200 and the related machines.

SECURE AND EFFECTIVE

Through the VPN channel, WE200 grants a secure and stable connection, that can bypass any company firewalls.

WE200 allows a transparent communication with any equipment and device, in order to remotely manage the programming, the maintenance and the troubleshooting, preventing and avoiding costly downtimes, on-site visits and reparation services.



VPN connection

according to the highest security standards



Universal system

highly compatible plug&play solution



User-friendly

just one click to access any PLC or HMI



Sustainable

no more time-consuming on-site visits and services



WE200

SYSTEM CHARACTERISTICS

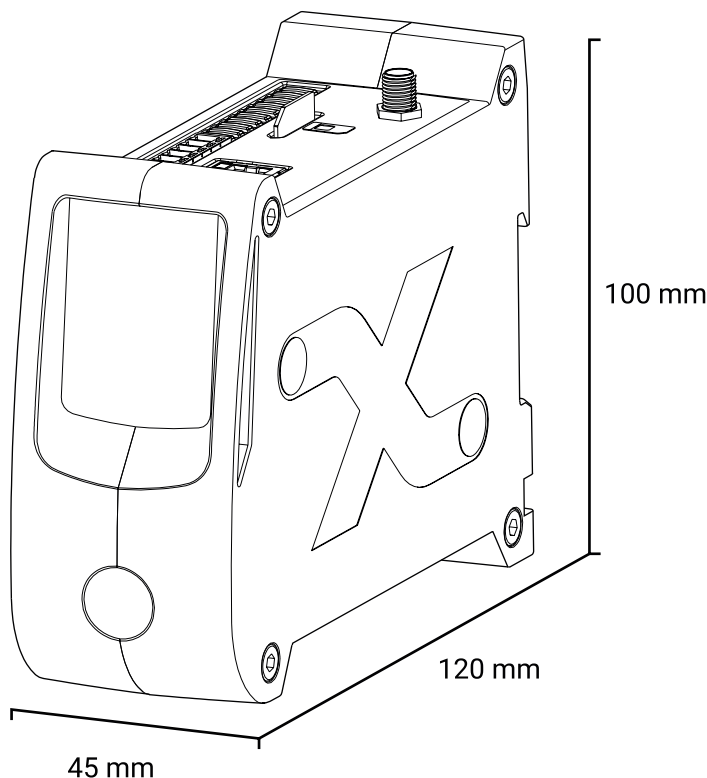
CPU	ARM9 @ 210MHz
RAM	64 MByte
Flash	512 MByte NAND
Operating system	Linux 2.6

ELECTRICAL CHARACTERISTICS

Power source	9-32VDC
Average current	300mA @ 12VDC
Peak current	500mA @ 12VDC
Digital input	1 input, not isolated, dry contact
Digital output	1 relay, 1A 30VDC

MECHANICAL CHARACTERISTICS

Enclosure	Plastic, DIN rail mountable
Dimensions(LxWxH)	45 x 120 x 100 mm
Weight	275g
Operating temperature	from -10°C to +60°C
Storage temperature	from -25°C to +85°C
Humidity	5% - 95% (non condensing)



CONNECTIVITY

- Modem 3G, 4G
- Ethernet 10/100 Mbit/s on RJ45
- Wireless WiFi IEEE802.11b/g/n (STA) optional
- Easy crypted VPN through Quick Tunnel
- Routing: NAT, IP and port forwarding
- Advanced routing

COMMUNICATION PORTS

- 2 serial ports RS232
- 1 serial port RS485
- 1 USB port
- 4 Ethernet ports 10/100 Mbit/s on RJ45

MAIN FUNCTIONALITY

- Configuration through built-in web server
- Remote Software Upgrade
- Configuration backup/restore
- Multi-level users and groups
- Alarms sending through SMS/Email
- Plug-ins support
- IPcam support

REMOTE ACCESS

- Serial
- USB
- Ethernet
- WiFi (optional)

APPLICATIONS

- Predictive maintenance
- Remote Access to PLC/HMI/PC