



MODEL1100 Series

Wall or DIN-Rail Mounting

2-port 100M Media Converter

- Support 1 100M fiber port, 1 100M copper port
- Support built-in power supply 220VAC, 48VDC, external power supply 5VDC
- Support -10~60°C wide operating temperature range



ICP Alphatec
Tel: +44 (0) 203 086 9569

www.icpalphatec.com
Email: sales@icpalphatec.com

Introduction

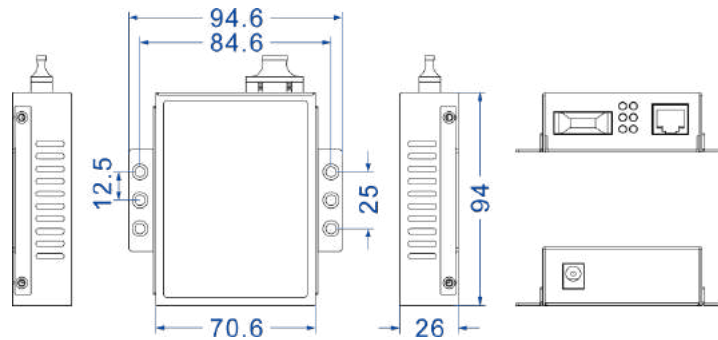
MODEL1100 series are 2-port 100M media converter. It can convert Ethernet electrical signal into Ethernet optical signal to extend the transmission distance. It also has good isolation protection and data confidentiality. This series include three types of products with different mains input methods and provide 100M copper port, 100M fiber port. It adopts DIN-Rail or wall mounting to meet the requirements of different application scenes.

This series of products conform to CE, FCC certification standards. Hardware adopts fanless, low power consumption, wide temperature and voltage design, which can suit for the scene environment with harsh requirements. It can be widely used in various fields.

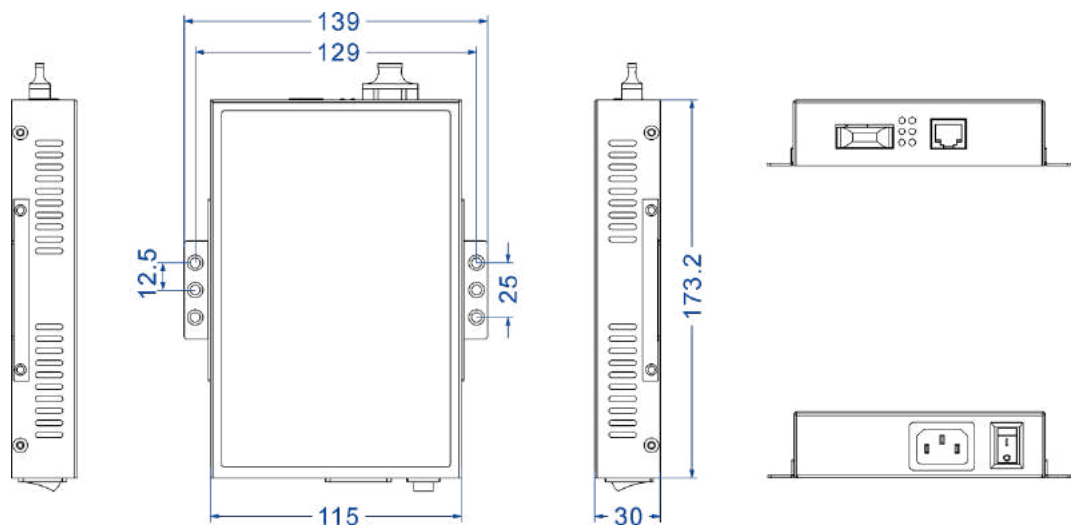
Dimension

Unit:mm

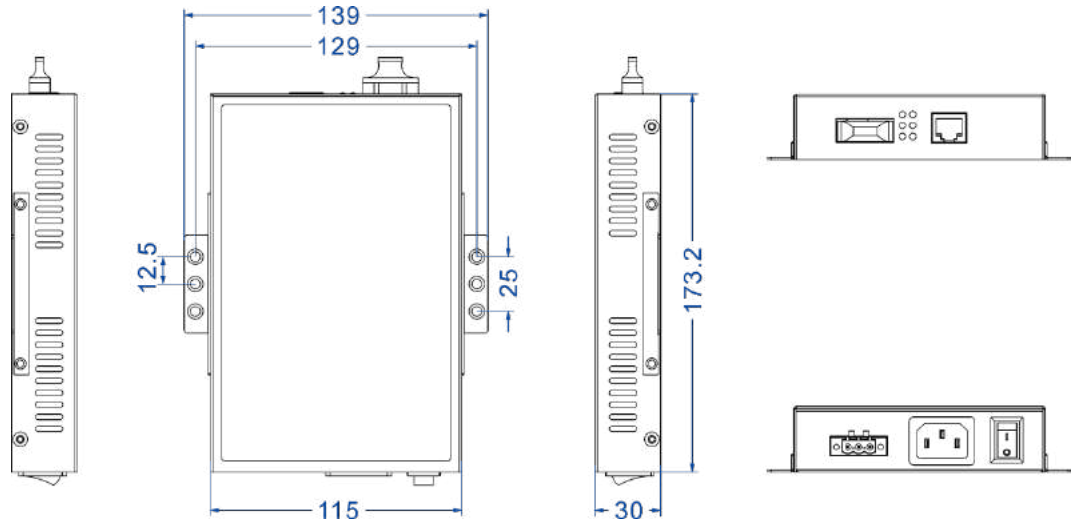
- External power supply 5VDC



- Built-in power supply 220VAC



- Built-in power supply 48VDC



Specification

Standard & Protocol	IEEE 802.3 for 10Base-T IEEE 802.3u for 100Base-TX and 100Base-FX
Copper Port	10/100Base-T(X), RJ45, automatic flow control, full/half duplex mode, MDI/MDI-X autotuning
Fiber Port	<p>Standard: 100Base-FX Connection mode: SC/ST/FC optional</p> <p>Transmission distance:</p> <ul style="list-style-type: none"> ● Multimode: 2km ● Single mode: 20/40/60/80/100/120km <p>Fiber cable:</p> <ul style="list-style-type: none"> ● Multimode: 50/125μm or 62.5/125μm ● Single mode: 8.3/125μm, 8.7/125μm, 9/125μm or 10/125μm <p>Transmission wavelength:</p> <ul style="list-style-type: none"> ● Multimode: 1310nm ● Single mode: 1310nm or 1550nm
LED Indicator	Port indicator, power supply indicator
Power Requirement	<p>Support three kinds of mains input methods</p> <ul style="list-style-type: none"> ● External 5VDC, DC round head ● Built-in 220VAC, AC socket with switch ● Built-in 48VDC, 3-pin 5.08mm pitch terminal blocks

Power Consumption	4W
Environmental Limit	Operating temperature: -10~60°C Storage temperature: -20~70°C Relative humidity: 5% ~ 95% (no condensation)
Physical Characteristic	Housing: metal Installation: wall or DIN-Rail mounting Dimension (W x H x D): 70.6mm×26mm×94mm (external power supply) 115mm×30mm×173.2mm (built-in power supply)
Certification	CE, FCC, RoHS
Warranty	3 years



Ordering Information

Part No	Article No/SKU	Description
Model1100(SSC)-UK	AT-Model1100(SSC)-UK	Entry-Level Media Converter with 1 x 10/100Base-T(X) RJ45 port + 1 X 100Base-FX Single-mode, SC, 20KM fiber port. 5VDC power input, includes 220V/5V mains power adaptor. UK power connector



ICP Alphatec
Tel: +44 (0) 203 086 9569

www.icpalphatec.com
Email: sales@icpalphatec.com



Address: 3/B, Zone 1, Baiwangxin High Technology Industrial Park, Song Bai Road, Nanshan District, Shenzhen, 518108, China

TEL.: +86-755-26702668 ext 835 FAX: +86-755-26703485

E-mail: ics@3onedata.com

Website: www.3onedata.com

◀ Please scan our QR code for more details

*Product pictures and technical data in this datasheet are only for reference. Updates are subject to change without prior notice. The final interpretation right is reserved by 3onedata.