



## IES205G

DIN-Rail or Wall Mounting

5-port Full Gigabit Layer 2 Unmanaged Industrial Ethernet Switch

- Support 5 Gigabit copper ports
- Input voltage: 12~48VDC, nonpolarity, reverse polarity protection
- Support -40~75°C wide operating temperature range



ICP Alphatec  
Tel: +44 (0) 203 086 9569

[www.icpalphatec.com](http://www.icpalphatec.com)  
Email: [sales@icpalphatec.com](mailto:sales@icpalphatec.com)

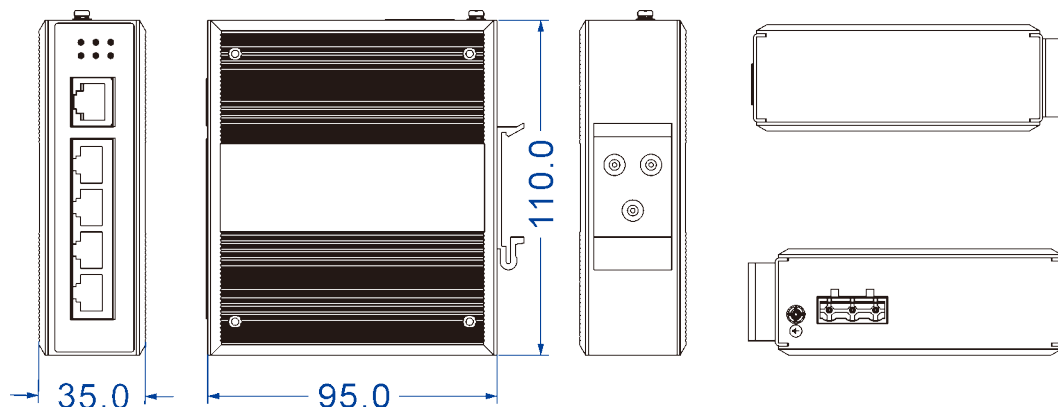
## Introduction

IES205G is 5-port full Gigabit layer 2 unmanaged industrial Ethernet switches. The product provides full Gigabit copper port. It adopts DIN-Rail or wall mounting to meet the requirements of different application scenes.

Hardware adopts fanless, low power consumption, wide temperature and voltage design and has passed rigorous industrial standard tests, which can suit for the industrial scene environment with harsh requirements for EMC. It can be widely used in smart grid, rail transit, smart city, safety city, new energy, aerospace, intelligent manufacturing, military project and other industrial fields.

## Dimension

Unit:mm



## Specification

Standard & Protocol	IEEE 802.3 for 10Base-T IEEE 802.3u for 100Base-TX IEEE 802.3ab for 1000Base-T
Interface	Copper port: 10/100/1000Base-T(X), RJ45, Automatic Flow Control, Full/half Duplex Mode, MDI/MDI-X Autotuning
LED Indicator	Port Indicator, Power Supply Indicator
Switch Property	Transmission mode: store and forward MAC address: 1K Packet buffer size: 1Mbit

	Backplane bandwidth: 12G Switch time delay: <10 $\mu$ s
Power Requirement	Input voltage: 12~48VDC, 3-pin 7.62mm pitch terminal blocks nonpolarity, reverse polarity protection
Power Consumption	No-load: 0.86W@24VDC Full-load: 4.63W@24VDC
Environmental Limit	Operating temperature: -40~75°C Storage temperature: -40~85°C Relative humidity: 5% ~ 95% (no condensation)
Physical Characteristic	Housing: IP40 protection, metal Installation: DIN-Rail mounting Weight: 387g Dimension (W x H x D): 35mm×110mm×95mm
Industrial Standard	IEC 61000-4-2 (ESD), Level 3 <ul style="list-style-type: none"><li>● Air discharge: <math>\pm</math>8kV</li><li>● Contact discharge: <math>\pm</math>6kV</li></ul> IEC 61000-4-4 (EFT), Level 3 <ul style="list-style-type: none"><li>● Power supply: common mode <math>\pm</math>2kV, differential mode <math>\pm</math>1kV</li></ul> IEC 61000-4-5 (Surge), Level 3 <ul style="list-style-type: none"><li>● Power supply: <math>\pm</math>2kV</li><li>● Ethernet interface: <math>\pm</math>1kV</li></ul> Shock: IEC 60068-2-27 Free fall: IEC 60068-2-32 Vibration: IEC 60068-2-6
Certification	CE, FCC, RoHS
Warranty	5 years

## Ordering Information

Part No	Article No/SKU	Description
<b>IES205G</b>	<b>AT-IES205G</b>	Unmanaged I.E DIN-Rail switch with 5 x 10/100/1000Base-T(X) RJ45 ports, single power supply:12~48VDC

ICP Alphatec  
Tel: +44 (0) 203 086 9569

[www.icpalphatec.com](http://www.icpalphatec.com)  
Email: [sales@icpalphatec.com](mailto:sales@icpalphatec.com)



Address: 3/B, Zone 1, Baiwangxin High Technology Industrial Park, Song Bai Road, Nanshan District, Shenzhen, 518108, China

TEL.: +86-755-26702668 ext 835 FAX: +86-755-26703485

E-mail: [ics@3onedata.com](mailto:ics@3onedata.com)

Website: [www.3onedata.com](http://www.3onedata.com)

◀ [Please scan our QR code for more details](#)

\*Product pictures and technical data in this datasheet are only for reference. Updates are subject to change without prior notice. The final interpretation right is reserved by 3onedata.