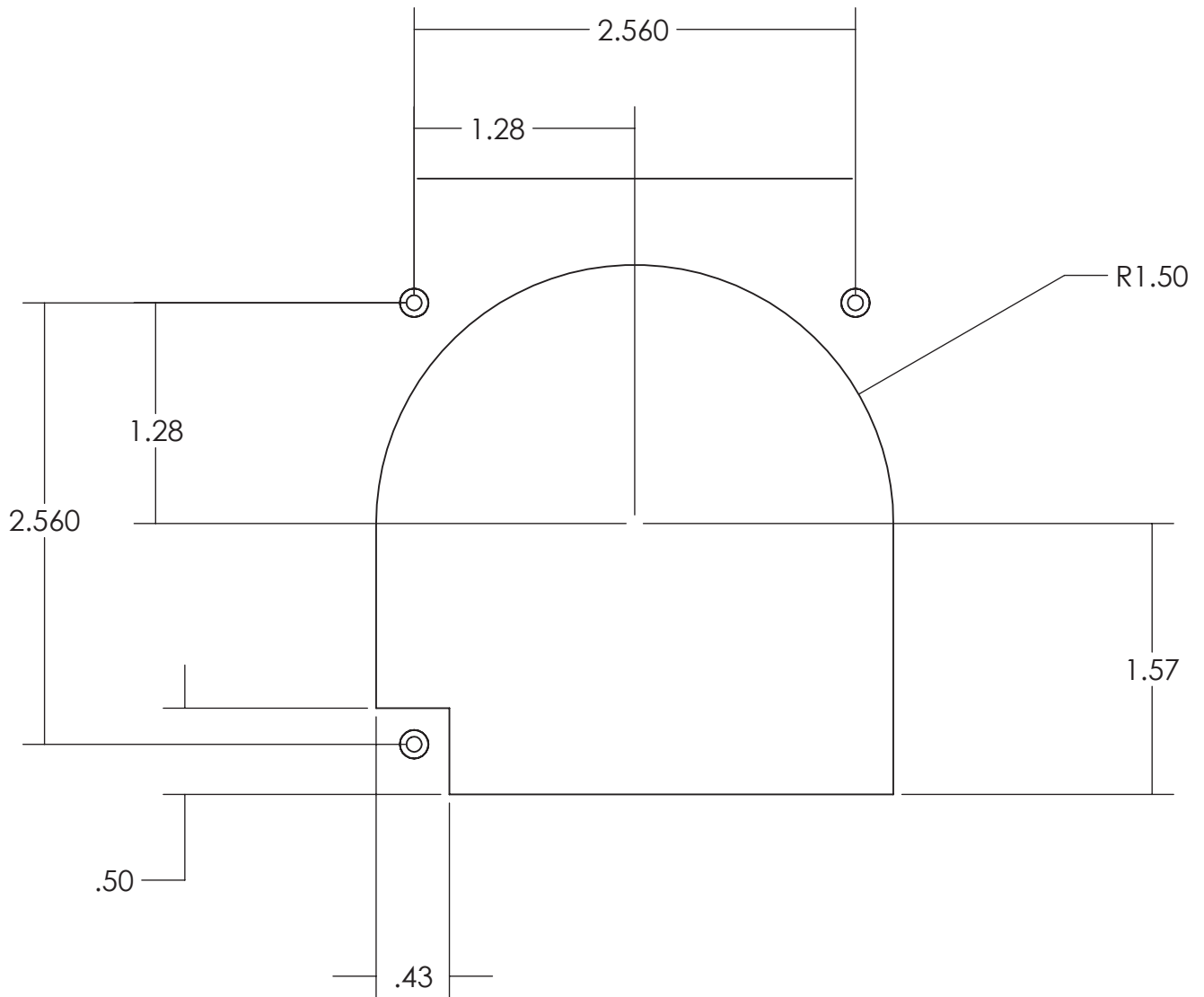


# Bartendro Dispenser Mounting Template



All Dimensions are in Inches

- Panel thickness should be  $\frac{3}{32}$ " or thinner to not interfere with liquid level sensors.
- Use 4-40 or M3 screws.
- A nice center to center distance between dispensers is 4 inches.
- To print actual size, make sure to turn set Page Scaling to 'none' when printing.