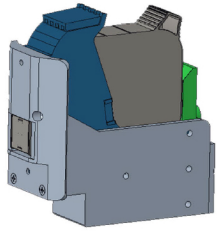
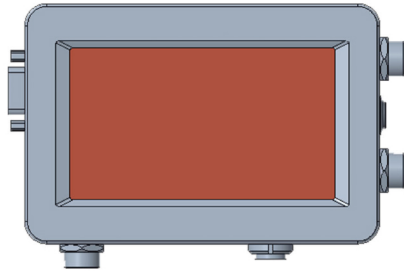


SNEED JET Titan Quick Installation Guide

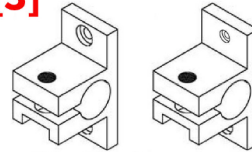
[1]



[2]



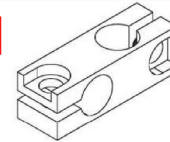
[3]



Conn 02 - 3pc/个

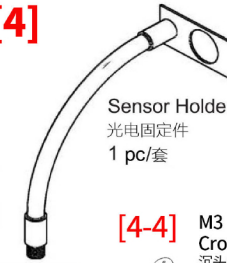
1 pcs big hole parts for connecting conveyor, 2 pcs small hole for connecting controller and printhead.

[5]



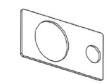
Conn 03 - 2pc/个

[4]



Sensor Holder / 光电固定件
1 pc/套

[4-4] M3 L5 Cross Screw
沉头螺丝
2pc/个



Sensor Stand
传感器支架
1pc/个 [4-1]



Piece To Connect Sensor And Printhead
金属软管支架
1pc/个 [4-2]



Square Nut
金属软管螺母
2pc/个 [4-3]

[6]



M6 L16 Screw
2pc/个

[7]



M4 L10
4pc/个

[8]



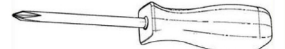
Pipe - L:154 mm - 3pc/个

[9]



M6 Allen Key / M6/内六角扳手

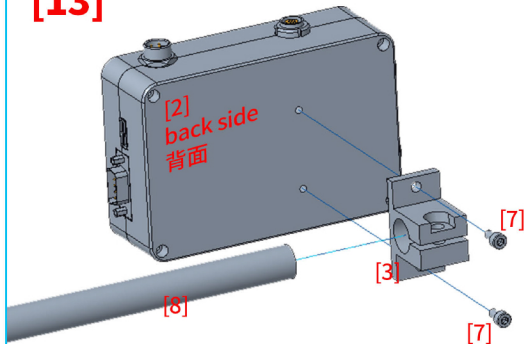
[10]



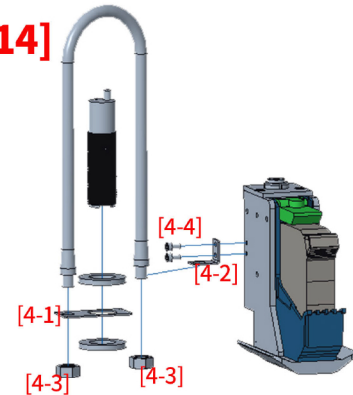
Phillips screwdriver
梅花起子

(not included/ 非标配)

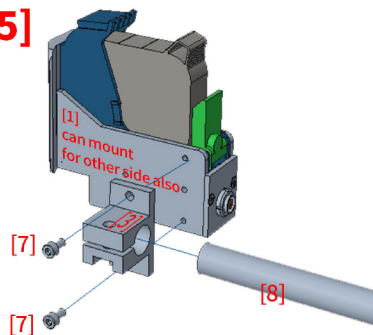
[13]



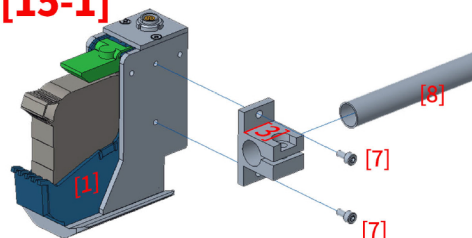
[14]



[15]

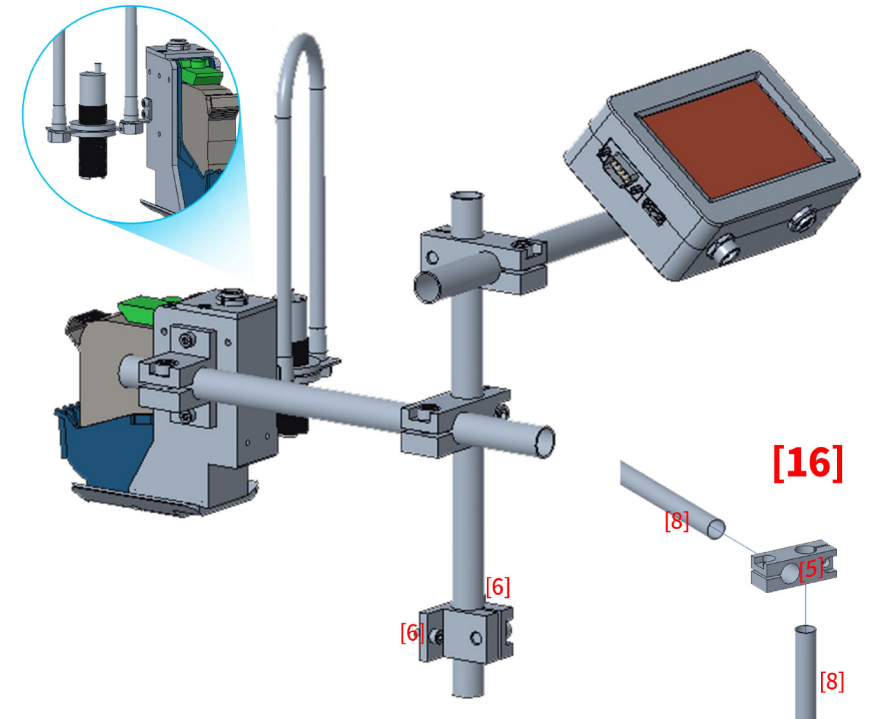


[15-1]



part-[01] can be mounted as to print side or upside-down with the different installation of part-[04]

NOT SHOWN: part-[01] can be mount from right (as shown) as well as from left side also



[16]

[8]