

Model:

Food Prep Table:

SPS-48-18M

Mega Top Solid Door Sandwich / Salad Unit




SPS-48-18M

- **Stainless steel interior and exterior** retains attractive finish longer. Matching aluminium finished back
- **Rounded corner** design inside of the cabinet makes it easy to clean the inside storage room
- **Standard door features:**
Positive seal self-closing door(s) with 90° stay open feature.
Magnetic door gasket(s) removable without tools for easy of cleaning
- **R290 Refrigeration system** holds 33°F to 41°F (0.5°C to 5°C) for the best in food preservation.
- **Electronic control system:**
Adjustable temperature set point and defrost frequency
Error codes to diagnose service issues
- **Shelf:** Adjustable, heavy duty PVC coated shelves.
- **Standard heavy-duty casters** make it easy to move and clean underneath
- **Condensing unit** access in back of cabinet, slides out for easy maintenance
- **Insulated lid** on prep units helps maintain food freshness.

Rough-In Data

Specifications subject to change without notice.

Chart dimensions rounded up to the nearest 1/8" (millimeters rounded up to next whole number).

| Model | Doors | Shelves | Cabinet Dimensions (inches) (mm) | | | CAP. CU.FT. LITER | HP | Voltage | Amps | NEMA Config. |
|------------|-------|---------|--|-----------|----------------|-------------------------|------|----------|------|---|
| | | | L | D | H | | | | | |
| SPS-48-18M | 2 | 2 | 46-3/4 1188 | 34 864 | 45-7/8 1166 | 9.5 268 | 1/3+ | 115/60/1 | 6.1 | 5-15P  |

Plug type varies by country.



SABA

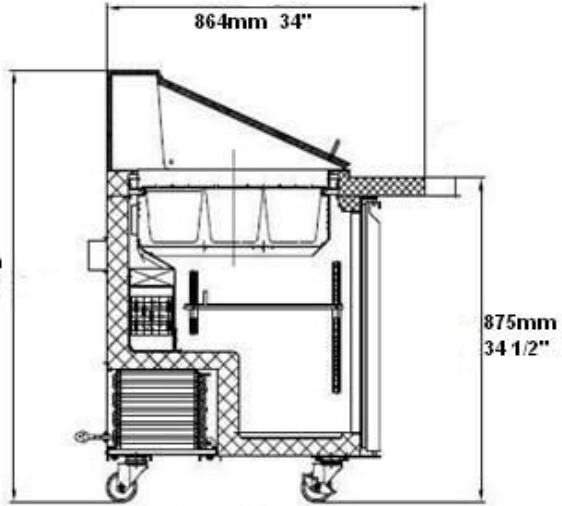
Add: 3390 Enterprise Avenue, Hayward, CA 94545-3228

Tel: (510) 293-0189 Fax: (510) 293-0199 E-mail: info@sabacorpusa.com Website: www.sabacorpusa.com

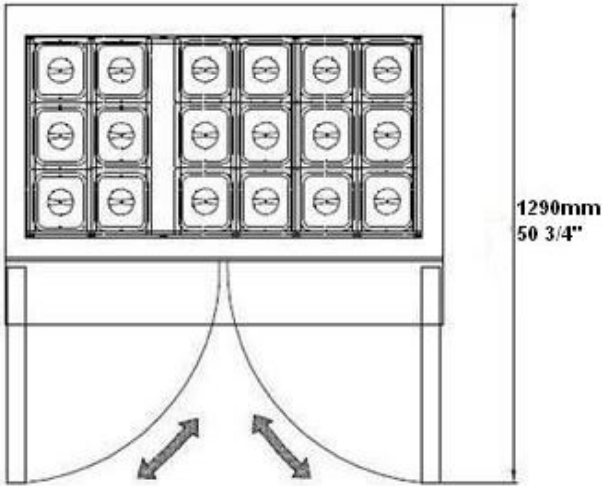
SPS-48-18M Plan View



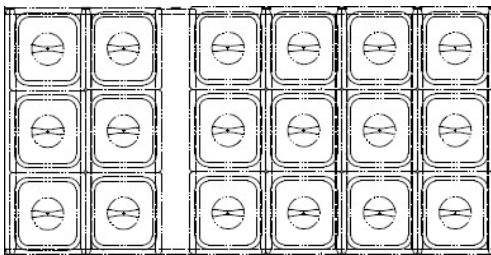
Elevation



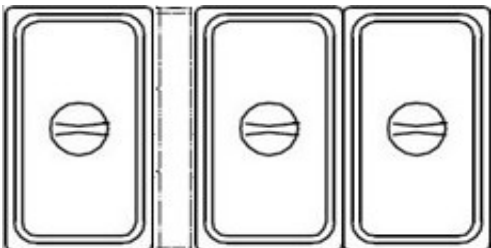
Section View



Plan



PAN LAYOUTS
18 (pcs) 1/6 pans



PAN LAYOUTS
3 (pcs) 1/1 pans