



## Gas Convection Oven



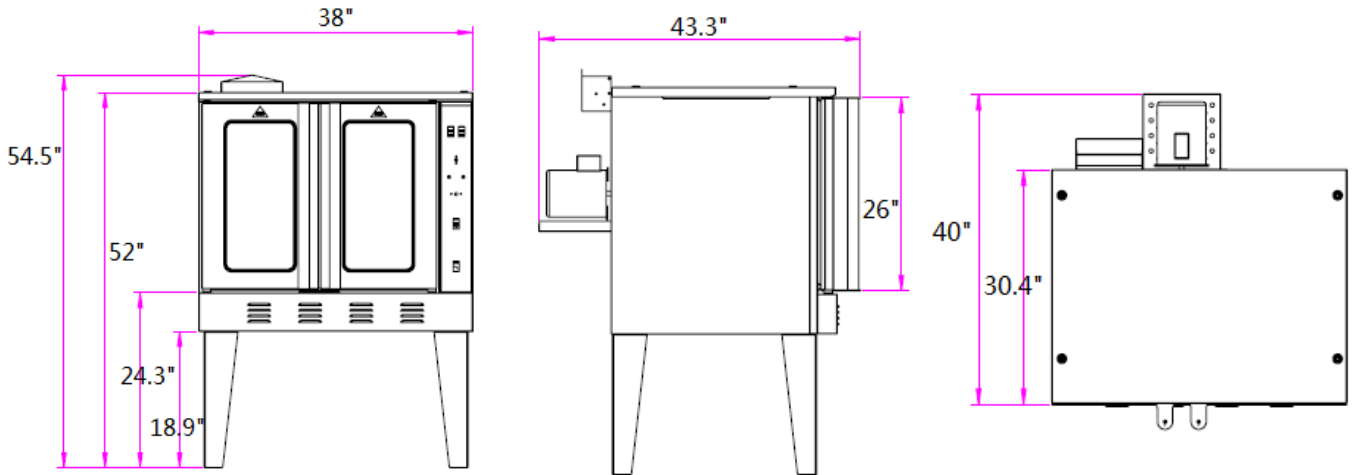
Model: GCO613



GCO613 Gas convection oven

### STANDARD FEATURES

- Stainless steel front, sides with robust support
- Direct fired gas inshot burner(3), each 18,000 BTU/hr
- Temperature adjustable from 167° F to 563° F
- Porcelainized interior, easy to clean
- Dual pane thermal glass windows
- 60-minute electric timer with bell
- ½ hp fan motor with dual-speed control
- Removable 13-position rack guides
- 4 heavy duty chrome plated racks
- Cooling down function
- Interior chamber light
- Double stacking options to optimize kitchen space
- Automatic ignition system for gas safety operation
- Micro switch for complete shut off once door is opened
- 3/4" NPT rear gas connection
- One year limited parts and labor warranty



Model	Description	Total Input BTU/HR	Packing Size(IN)	N/W (LB)	G/W (LB)
GCO613	Gas Convection Oven	54,000	46x42x42	408	606



**SABA**

3390 Enterprise Ave., Hayward, CA 94545

Toll Free: +1 (844) 422-8900 Telephone: +1 (510) 293-0189 Fax: +1 (510) 293-0199

<http://sabacorpusa.com/>