

woom™ UP

Instructions for use
05.20



WARRANTY · GARANTIE

24-month warranty from date of purchase
24 Monate Garantie ab Kaufdatum*

Bike · Fahrrad

Frame No. · Rahmennr.

Colour · Farbe

Size · Größe

Date of purchase · Kaufdatum

Dealer stamp · Händlerstempel

woom™ UP

DE	Bedienungsanleitung.....	1
EN	Instructions for use.....	33
CS	Návod k obsluze	65
PL	Instrukcja obsługi.....	97
SL	Navodila za uporabo	129

- 1 Important information about this document 35**
 - 1.1 Tips, hints and advice.....35
 - 1.2 Meaning of the symbols.....36
- 2 Important information about the woom UP 37**
 - 2.1 What the woom UP is built for37
 - 2.2 What the woom UP has not been designed for37
 - 2.3 Disclaimer.....38
- 3 Important safety instructions 39**
- 4 woom UP components 40**
- 5 The functions of the most important components 41**
 - 5.1 Stability – the frame.....41
 - 5.2 Shock absorption – the fork.....41
 - 5.3 Steering – the handlebar41
 - 5.4 Shock absorption and grip – the tyres.....41
 - 5.5 Stopping in time – the brakes.....41
 - 5.6 Drive – the 9-speed gear41
- 6 Getting the woom UP ready 42**
 - 6.1 Unpacking42
 - 6.2 Assembling.....43
 - 6.3 Adjusting handlebar and brake lever48
 - 6.4 Suspension fork50
 - 6.5 Electric drive.....52
 - 6.6 Charging and battery charger.....52
- 7 Cycling correctly 53**
 - 7.1 Braking correctly.....53
 - 7.2 Shifting gears correctly.....53
- 8 Cleaning 54**
 - 8.1 Frame, handlebar, fork, wheels.....54
 - 8.2 Chain, cassette, sprockets.....54
 - 8.3 Brakes.....54
- 9 Maintenance 55**
 - 9.1 Tyres55
 - 9.2 Chain.....55
 - 9.3 Handlebar, headset, fork.....55
 - 9.4 Gearshift system56
 - 9.5 Brakes.....57

9.6 Cranks 57

9.7 Bottom bracket 58

9.8 Spokes and wheels 58

10 Maintenance schedule 59

11 Technical data 60

11.1 Tightening torques 60

11.2 Specifications 61

12 Environmental protection 63

12.1 Disposing of transport packaging 63

12.2 Disposing of an old bike 63

13 Warranty 64

These instructions contain information for the safe operation of the bike. Please read these instructions before using the bike for the first time and keep them safe.

© 2020 woom GmbH
 These instructions are protected by copyright.
 All rights reserved.
 This version replaces all previous versions.
 The original instructions are in German.
 Reproduction, translation and conversion into an electronic or any other machine-readable form in whole or in part is prohibited.
 These instructions have been written to the best of our knowledge. However, woom GmbH assumes no responsibility for the completeness and correctness of the information.

1 Important information about this document

The woom UP is sold partially assembled. Before riding the bike for the first time, some adjustments are necessary to ensure woom UP is in a roadworthy condition. Observe the assembly instructions in Section 6 on page 42.

Cycling should be fun and healthy if it is done correctly and responsibly. These instructions for use will help you to ensure your child uses the woom UP safely and properly. Read all these instructions for use and pay particular attention to all warnings and maintenance instructions before letting your child use the woom UP for the first time.

If you lend the woom UP to somebody or if another person is supervising your child, make sure that all users and supervisors have read the instructions for use.

1.1 Tips, hints and advice

As a parent or guardian of a child, you are responsible for his or her activities and safety. We would like to help you in teaching your child how to ride a bike properly right from the start and would therefore like to direct your attention to the following safety information:

Helmet and clothing

Get your child a suitable helmet that fits properly and make sure he or she wears it at all times when cycling. Make sure your child wears suitable, tight-fitting, light and preferably reflective clothing so that others can easily see him or her. Also make sure that your child uses non-slip shoes and suitable protective clothing when cycling.

Safe and responsible use

Make sure you explain to your child in an easy-to-understand way how the brakes work and be sure that he or she is familiar with the operation of the brakes before using the bike for the first time. Teach your child how to use the woom UP in a safe and responsible way in the area where the bike will be used.

National regulations and private forest roads

Find out about the applicable national regulations. Other regulations than the national traffic regulations, etc. apply on forest roads and hiking trails. Only use routes expressly approved for mountain biking.

Assess skills correctly

You know best your child's abilities and skills. Consider what can be expected of him or her when riding a bike so that your child is safe at all times.

1.2 Meaning of the symbols

The following symbols are used in these instructions:



HINT

Non-observance can cause malfunctions or damage.



CAUTION/WARNING/DANGER

Non-observance can lead to damage and serious injury (danger to life).



TIP

Indicates useful tips for use.

2 Important information about the woom UP



ATTENTION

Improper or incorrect use of the woom UP may result in material failure, falls and serious injury. Please pay attention to the hints given under 2.1 and 2.2.

Maintain and service the woom UP regularly and follow the maintenance schedule recommended in Section 10.



HINT

When replacing parts, only use suitable original spare parts that are marked as such and observe the manufacturer's instructions.

For more information on suitable spare parts please contact our customer service on woombikes.com.

Drive wheel wear parts (chainring, cassette) may only be replaced with original parts.

2.1 What the woom UP is built for

- ✓ The woom UP has been developed specially for cross-country routes and cycling in nature, that is, in areas secluded from public traffic.
- ✓ The woom UP is a children's bike designed to support the weight of a child of the intended age (depending on the model) and suitable for a body height between 128 cm and 165 cm (equivalent to about 7 to 14 years).
- ✓ Proper use also includes compliance with the operating, maintenance and service hints and tips contained in these instructions for use and in the quick guide.

2.2 What the woom UP has not been designed for

- ✓ The woom UP is not intended for jumps over 30 cm, stunts and extreme sports.
- ✓ Frames and other components of the woom UP are not designed for use by adults and may be damaged (for maximum load, see „11.2 Specifications“ on page 61).
- ✓ The woom UP is not designed for use by more than one person, even if the permissible weight is not exceeded.
- ✓ Only the saddle may be used for sitting.
- ✓ The woom UP may only be used in perfect condition. Woom GmbH accepts no responsibility for injuries caused by defective or worn parts (e.g. brakes).

- ✓ The woom UP is not suitable for mounting a child seat or luggage carrier.
- ✓ The woom UP is not suitable for use with a trailer.
- ✓ If your child wants to use the woom UP on public roads, inform yourself about the applicable national regulations and upgrade the woom UP with the appropriate accessories.

2.3 Disclaimer

The information, specifications and hints provided in these instructions were up to date at the time of printing. The figures used are symbolic representations and do not have to correspond to reality. The information, figures and descriptions in these instructions do not give rise to any claims for changes to products already supplied. We reserve the right to make technical changes. Changes, errors and misprints do not justify a claim for damages. The information in these instructions describes the properties of the product without assuring them. No liability is assumed for damages and injuries caused by:

- ✓ Failure to follow the assembly instructions
- ✓ Unauthorised modifications to the product
- ✓ Operating errors
- ✓ Neglected maintenance
- ✓ Misuse, i.e. use of the product not in accordance with its intended use

3 Important safety instructions

- ✓ Risk of injury from sharp and hard metal objects
The woom UP is made of metal. A fall can result in injuries.
- ✓ Risk of injury from damaged and protruding parts
After a fall, check the woom UP and its components for damage.
- ✓ Risk of injury from falling
The saddle, handlebar and pedals must be adjusted accordingly and secured with the required tightness.
Avoid steep slopes or steps.
Avoid cycling on slippery roads due caused by rain or ice.
If this is unavoidable, drive slower and more carefully so that you can stop safely at all times.
- ✓ Risk of injury from rotating parts
Rotating parts such as wheels and brake discs present an increased risk of injury. When using and maintaining the woom UP, be sure to maintain a safe distance from rotating parts.
- ✓ In darkness or poor visibility, switch on the light (not included).
- ✓ Reliable and safe use of the woom UP can only be guaranteed if the assembly and installation are carried out according to the specifications of woom GmbH. Refer to these instructions, in particular the assembly instructions in Section 6.
- ✓ Ensure that the woom UP is safely locked or locked away (for example with a suitable bike lock) to protect it from being stolen. If, despite these security measures, your woom UP is stolen, please immediately inform the relevant authorities and also woom customer service (please always keep the frame number and the information on the type plate handy).

4 woom UP components

See figure on cover sheet for numbering

- | | | | |
|-----------|------------------------|-----------|---------------------------|
| 1 | Seatpost | 15 | Brake caliper |
| 2 | Saddle | 16 | Drive unit |
| 3 | Seatpost clamp | 17 | Pedals |
| 4 | Frame | 18 | Crank |
| 5 | Remote fX 21 | 19 | Bottom bracket (in frame) |
| 6 | Cover | 20 | Chain |
| 7 | Stem | 21 | Speed sensor |
| 8 | Handlebars | 22 | Rear derailleur |
| 9 | Brake lever | 23 | Rims |
| 10 | Shifter | 24 | Tyres |
| 11 | Head tube | 25 | Spokes |
| 12 | Headset (in head tube) | 26 | Cassette |
| 13 | Fork | 27 | Spoke magnet |
| 14 | Hub | | |

5 The functions of the most important components

5.1 Stability – the frame

The woom UP frame is made of lightweight, high-quality aluminium tubes. As such it offers the necessary stability with minimum weight.

5.2 Shock absorption – the fork

The air suspension fork provides the necessary shock absorption. Information on how to adjust the air suspension fork correctly can be found in Section 6.4 on page 50.

5.3 Steering – the handlebar

The position and shape of the handlebar help ensure a correct sitting posture. In addition to the grips, the handlebar also accommodates other components (brake lever, shifter, bell, reflector, etc.).

5.4 Shock absorption and grip – the tyres

The tyres must carry the weight of the wheel, the person cycling and any luggage. The heavier the weight, the higher the air pressure should be. The permissible pressure range is indicated on the tyres. See also Section 9.1 on page 55.

5.5 Stopping in time – the brakes

The woom UP has two hydraulic disc brakes, one on the front wheel and one on the rear wheel. When braking, the brake pads are pressed against the brake discs attached to the hub and the wheel is braked in this way. See also Section 7.1 on page 53.

5.6 Drive – the 9-speed gear

The cranks connect the pedals with the bottom bracket. The chainring connected to the right crank transmits the driving force via the chain to the rear wheel. There are nine sprockets of different sizes mounted on the rear wheel (together referred to as cassette). The rear derailleur is also located there. The woom UP rear derailleur type SRAM X5 guides or shifts the chain over the differently sized sprockets. This results in different transmissions of the applied force.

High transmission ratios are achieved when the chain lies on a small rear sprocket. Pedalling is more difficult, but the bike travels further with one turn.

Lower transmission ratios are achieved when the chain lies on a large rear sprocket. Pedalling is easier, but the bike travels a shorter distance with one turn.

6 Getting the woom UP ready

Please note: The designations left and right in these instructions always refer to the left or right side of the bike as seen from above and in the direction of travel.

6.1 Unpacking

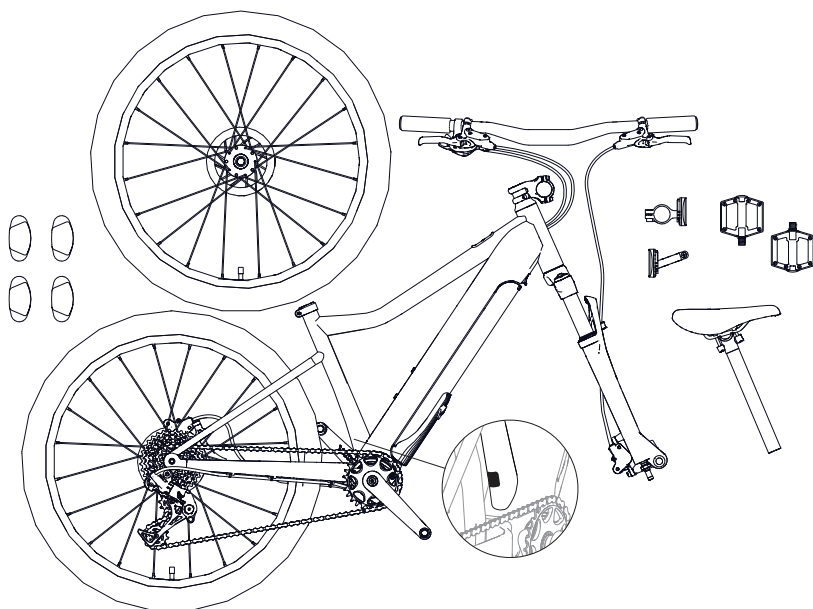
4. Remove packaging, carefully cut through cable ties.



CAUTION

When cutting the cable ties, make sure that you do not damage the bike parts, especially the tyres.

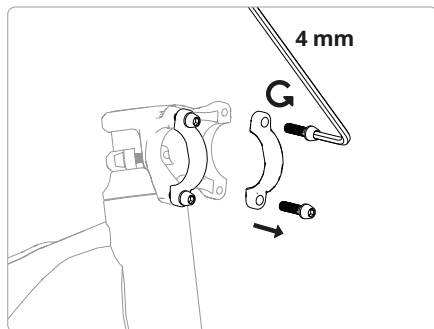
5. Remove the plastic protective disc from the rear derailleur.
6. You should write down the woom UP frame number. This number uniquely identifies the bike and is important in the event of theft and insurance matters. The number can be found at the back of the seat tube (see figure). You can also write down the frame number in your warranty card – see cover sheet.



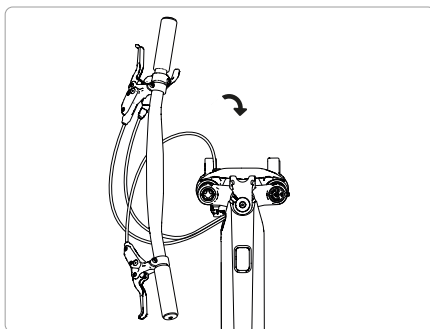
6.2 Assembling

See Section 11.1 on page 60 for tightening torques.

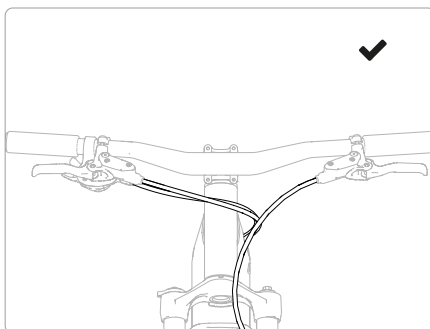
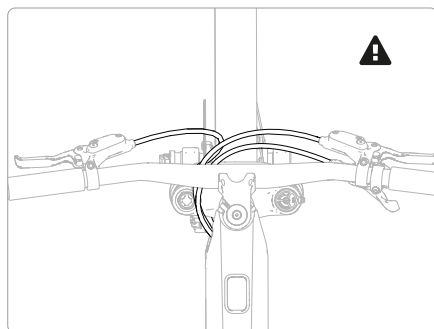
Mounting the handlebar



Unscrew the clamps from the stem.

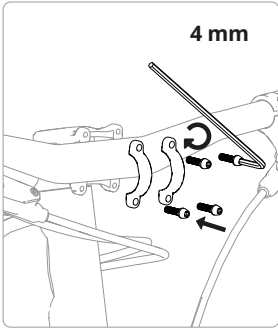


Turn the handlebar 90° clockwise and insert into the stem.

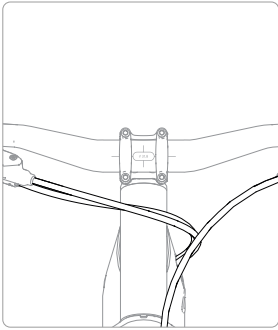


ATTENTION

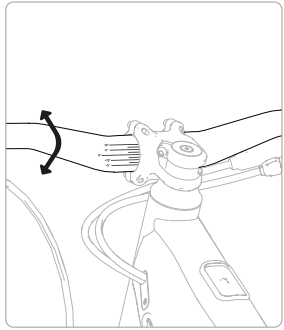
The brake cables and the shift cable must be to the left of the head tube.



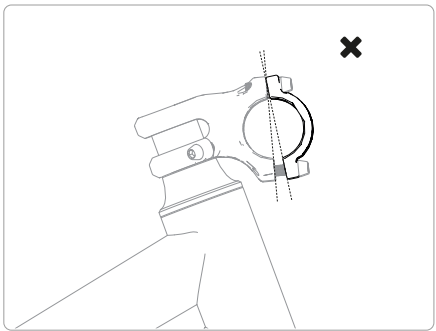
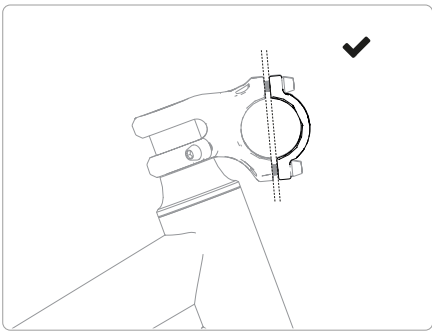
4 mm
Screw on the clamps, tighten the screws only slightly.



The cross mark must be in the middle between the two clamps.

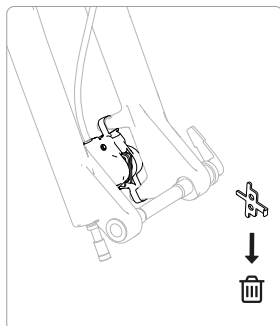


Adjust the tilt of the handlebar. Default setting: 0°. Tighten the clamps.

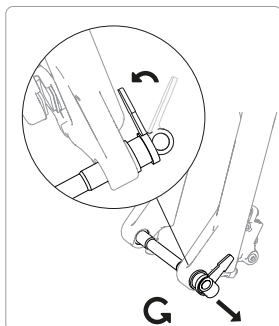


! HINT
Make sure that the gap between clamps and stem is the same at the top and bottom!

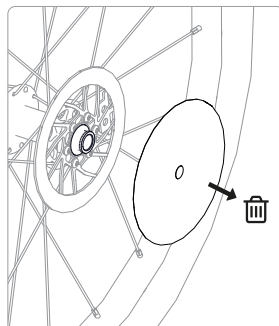
Mounting the front wheel (not necessary for woom online shop customers)



Remove the plastic spacer from the brake caliper.



Unscrew the through axle from the front fork. The quick-release lever must be located in the recess.

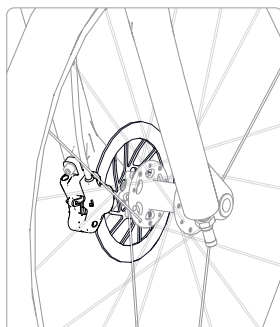


Remove the plastic protective disc from the brake disc (do not pull the spacer sleeve with it!).

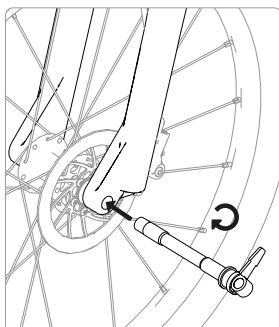


CAUTION

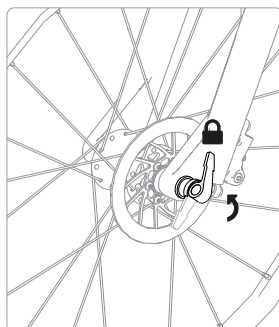
When mounting the front wheel into the fork, make sure that the spacer sleeves in the hub are mounted on both sides. When removing the plastic disc, make sure that the black spacer sleeve remains on the hub! It may remain stuck on the plastic protective disc. If this is the case, remove it from the plastic disc and put it back onto the hub.



Insert the front wheel into the fork. The brake disc must be on the left! Make sure that the brake disc is correctly seated in the brake caliper between the brake pads.

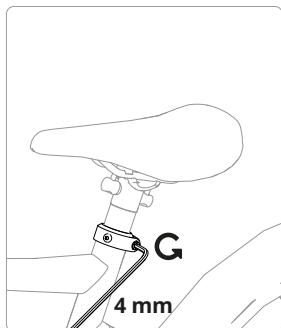


Push in the through axle and tighten. The quick-release lever must be located in the recess.

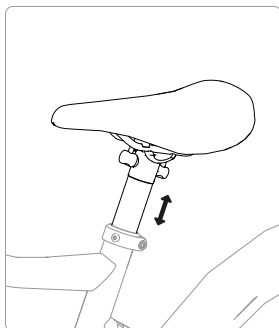


Then close the quick-release lever.

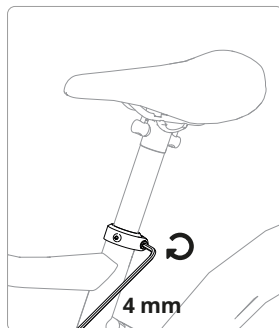
Mounting the saddle



Open seatpost clamp with hex key.



Position the seat post at the appropriate height (see hints on page 15 for adjusting seat height).



Tighten the seatpost clamp with a hex key.

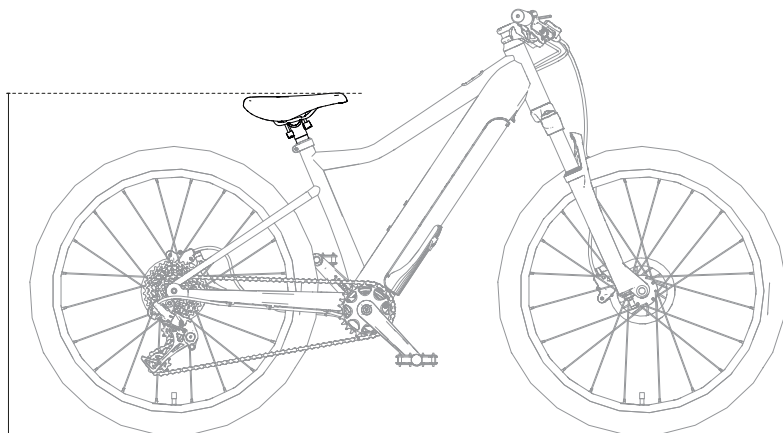


ATTENTION

Observe minimum insertion depth! See min. mark on seat post.

Do not overtighten the internal hex screws.

Do not set the saddle lower than the minimum saddle height!



Measuring the saddle height – see minimum saddle height in Section 11.2 on page 61

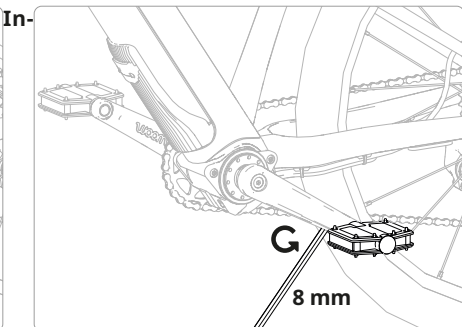
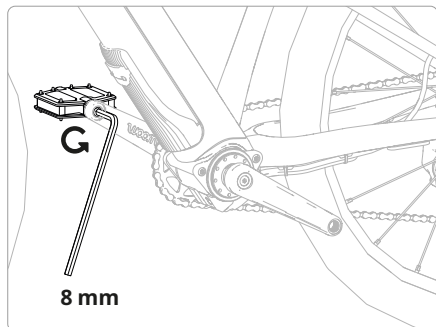
HINTS



Correct seat height: With your child sitting on the saddle, have them place their heel on the pedal (the one in the lowest position) and stretch out their leg. Sitting on the saddle and with the saddle height adjusted, your child should be able to touch the ground with both feet and remain in a stable position. Set the saddle lower for beginners.



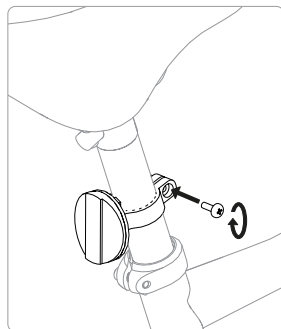
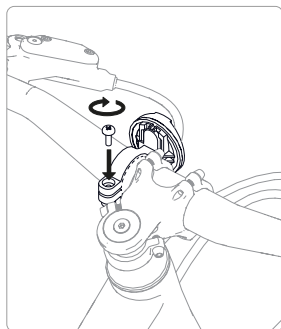
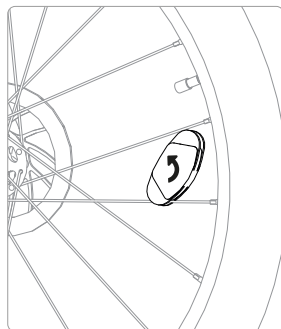
Installing the pedals



Screw the pedal marked "R" in the direction of the arrow into the right crank arm and tighten with a hex key.

Screw the pedal marked "L" in the direction of the arrow into the left crank arm and tighten with a hex key.

Installing the reflectors



Attach the clip-on reflectors to the spokes.

Mount the white reflector to the handlebar and the red reflector to the seat post.

Checking



ATTENTION

Before each ride, check that the front and rear brakes work and that the tyres have sufficient pressure.



HINT

Disc brakes need some time until they are "braked in". You can speed up this process by braking several times from medium speed until you come to a standstill.

6.3 Adjusting handlebar and brake lever

See Section 11.1 on page 60 for tightening torques.

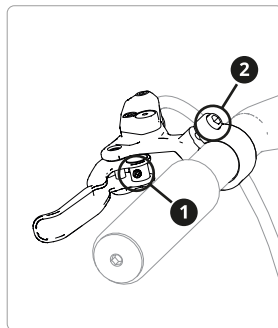
Once you've assembled all the parts, the woom UP is ready to go. The following adjustments are only necessary if you find that the position of the brake lever or shifter or the inclination of the handlebar is not suitable for your child.

Adjusting the brake lever position and grip width

The distance from the brake lever to the handlebar grip is set to a default value depending on the woom UP model.

To reduce the distance between the brake lever and the handlebar grip, use a 2 mm hex key to turn the brake lever adjusting screw (1 – see figure) counter clockwise. To increase the distance, turn the screw clockwise (observe the warning!).

To adjust the position of the brake lever on the handlebar, loosen the clamping screw (2 – see figure) by turning it counter clockwise and reposition the lever. Then tighten the clamping screw to the torque specified in Section 11.1 on page 60. Make sure



- ✓ that the brake levers are positioned in such a way that your child can brake safely and easily and
- ✓ that the shifter can be easily reached.



ATTENTION

The brake lever must not touch the handlebar grip, even when applying maximum strength. Only unscrew the adjusting screw counter clockwise so that the brake lever does not touch the handlebar grip, even when the brake is applied with maximum strength. Never unscrew the adjusting screw completely from the handlebar grip.

Shifter spacing

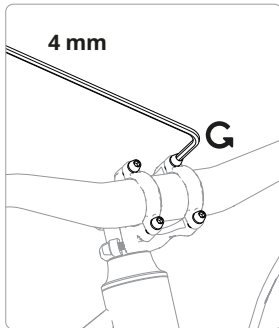
The default shifter position is set according to the woom UP model.

To change the shifter position, loosen the shifter clamping screw with a 5 mm hex key and position the shifter according to your child's requirements. After positioning the shifter, tighten the clamping screw to the tightening torque specified in Section 11.1 on page 60.

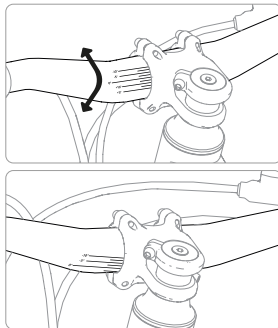
Make sure that your child can reach the shifter easily and effortlessly with his or her thumb.

Handlebar tilt

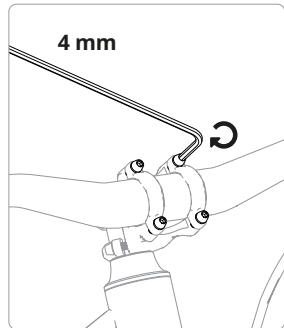
See also „Mounting the handlebar“ on page 43.



Loosen the screws of the stem clamps a little.



Adjust the tilt of the handlebar.



Tighten the screws alternately until all are firmly tightened again.



ATTENTION

Make sure that the handlebar is in the middle! The marking on the front helps to ensure this.

Make sure that the clamps do not tilt and are evenly seated.

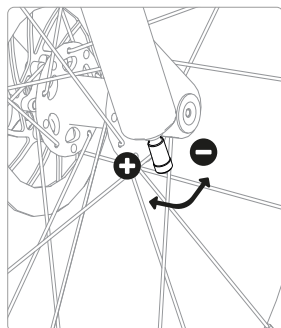
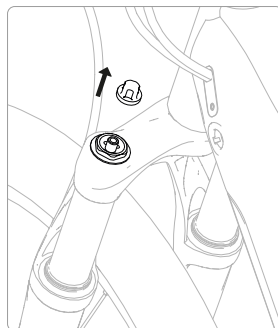
Make sure that the handlebar cannot be turned when the screws are tightened.

6.4 Suspension fork

The woom UP comes with preset air pressure. If you want to adjust the air pressure, please proceed as follows: To adjust the correct air pressure in the air suspension fork you need a special absorber pump. First remove the valve cap (see figure) from the upper left end of the air suspension fork by turning it counter clockwise. Fill the suspension fork with the correct air pressure according to your child's body weight (see table). Screw the valve cap back onto the valve.

Body weight (kg)	Air pressure (psi)*
20-30	40-50
30-45	50-65
45-65	65-85
>65	85-100

*max. permissible air pressure: 150 psi

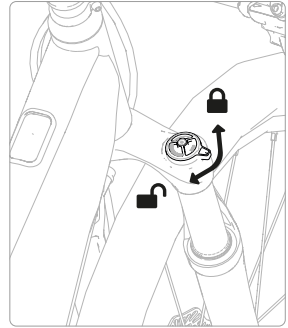


Adjusting rebound damping

Rebound damping and the rebound speed of the air suspension fork can be adjusted with the red knob at the lower right end of the fork. To increase the rebound speed and reduce rebound damping, turn the red knob in the + direction. To reduce the rebound speed and increase rebound damping, turn the knob in the - direction. In order to adjust the rebound damping to the needs of your child, please read the information on damping adjustment in this section.

Adjusting compression damping

Compression damping and compression speed of the air suspension fork can be adjusted with the adjustment knob at the upper right end of the suspension fork. To increase compression speed and reduce compression damping, turn the adjustment knob clockwise. To reduce compression speed and increase compression shock absorption, turn the adjustment knob counter clockwise. In order to adjust the compression damping to the needs of your child, please read the information on shock absorption adjustment in this section.



Lockout

You can activate the lockout function by turning the compression damping adjustment lever counter clockwise until it stops. This prevents the fork from deflecting. Use the lockout function if your child wants to pedal as efficiently as possible (e.g. when going uphill or on flat roads without obstacles).

Hint shock absorption adjustment

HINT



A well tuned suspension fork increases the cycling comfort and the grip of the tyres on the ground. Before you start tuning the shock absorption, check that the air pressure of the air suspension fork is set correctly according to the weight table at the beginning of this section.

When adjusting shock absorption, always start with the lowest rebound or compression damping level (= highest compression or rebound speed) and increase it in small, incremental steps (do not adjust rebound and compression at the same time!). Then let your child test ride the bike several times to check and compare the settings.

When adjusting rebound damping, the fork should deflect slightly slower than compression damping. To check this, grab the handlebar and quickly press the fork down while applying the front brake and let the fork rebound without applying pressure to the handlebars. Increase or decrease rebound damping depending on whether the fork rebounds too slowly or too quickly. When adjusting compression damping, make sure that the suspension fork cannot impact with or compress right down to the stop when driving over obstacles or jumping. If the fork does compress right down to the stop, increase compression damping and check the air pressure in the suspension fork.

6.5 Electric drive

The woom UP is equipped with a Fazua Evation drive. This supports children's pedalling with 55 Nm and 250 W (max. 400 W). Your child can decide how much help they want from the drive by adjusting the top tube controls. They can select from four support modes, from neutral to maximum support (white: 0%, green: 30%, blue: 60%, pink: 100%). The emission sound pressure on the ears of the rider is always less than 70db(A).

You can find information about how to switch on the drive, charge the battery and much more in the enclosed quick guide from Fazua.

The complete instructions for use of the Fazua Evation drive are available on our website in the downloads area.

6.6 Charging and battery charger



HINT

Improper handling of the charger or rechargeable battery (e.g. due to damage or opening) can lead to serious injuries (e.g. chemical burn, burn, electric shock etc.).

- ✓ Please ensure that the rechargeable battery is only charged in dry indoor spaces. Always keep the rechargeable battery and charger away from liquids or moisture.
- ✓ Children must not use or handle the rechargeable battery or the charger.
- ✓ The storage temperature may not be under -15°C or over $+25^{\circ}\text{C}$.
- ✓ For longer storage periods the rechargeable battery should have a charge level of at least 60% to avoid complete discharge.
- ✓ Do not charge the battery near combustible materials.

7 Cycling correctly

7.1 Braking correctly

- ✓ The left brake lever is used to operate the front brake.
- ✓ The right brake lever is used to operate the rear brake.

To get the most out of the disc brakes, please note the following:

- ✓ Your child should always brake with both brakes at the same time.
- ✓ Optimum use of the brakes depends on the road surface; in most cases it is best to brake 70% with the front brake and 30% with the rear brake.
- ✓ Do not let the brakes slip when driving downhill! Always brake strongly and briefly (less than five seconds) and then release the brakes again.



HINT

Letting the brakes slip may excessively heat up the brake discs and brake fluid. This can cause the brake to deteriorate or even fail.

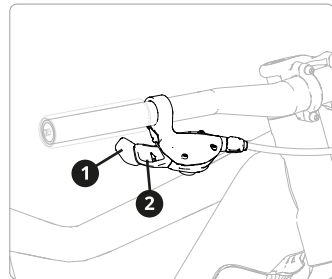


HINT

The braking distance can vary depending on the road surface and driving conditions. Make sure that your child allows for a sufficient braking distance, especially when the road is wet.

7.2 Shifting gears correctly

- ✓ With the rear shifter (1) your child shifts to the next lower gear (for slower speeds).
- ✓ With the front shifter (2) your child shifts to the next higher gear (for higher speeds).



8 Cleaning

Clean the woom UP regularly so that it remains intact and your child is always safe on the road.



HINT

Do not use a pressure cleaner as this may damage the bearings and attachments.
Never clean the bike with acids, hot oil or liquids containing solvents.

8.1 Frame, handlebar, fork, wheels

Clean these components with warm water, a mild detergent and a soft cloth or sponge.

8.2 Chain, cassette, sprockets

Clean these components with an oily cloth and a brush or with a suitable cleaning agent for chains. The chain needs to be lubricated at regular intervals. Do not use too much oil and remove excess oil with a cloth.



ATTENTION

If you use oil spray, make sure that no oil gets on the brake pads!



CAUTION

If oil gets on the brake pads, they must be replaced!

8.3 Brakes

If the brakes are very dirty, you can clean them with warm water and detergent. Use a suitable brake cleaner to clean the brake discs. Never use cleaning agents containing oil.

9 Maintenance



CAUTION

If the frame or other components of the woom UP show deformations or cracks, the woom UP must be sent to a repair shop.

9.1 Tyres

- ✓ Regularly check the tread pattern and condition of the tyres. Replace worn or damaged tyres immediately!
- ✓ Check the air pressure before every ride!



TIP

A pressure loss of 1 bar per month is considered normal. If a tyre loses much more air, the tube is defective and must be repaired or replaced.

The tyres are fitted with car valves and can therefore be filled at any petrol station. Use a pressure gauge to set the correct tyre pressure. Checking the pressure with your thumb is not very reliable.

The permissible pressure range is indicated on the tyre sidewalls and must not be exceeded.

The optimum pressure for tyres with inner tubes is 1.8 to 1.9 bar for a body weight of 25 to 50 kg.

9.2 Chain

The chain must be cleaned and lubricated regularly. See Section 8.2 on page 54.

The chain becomes longer with increasing wear. If it wears too much, it can damage the sprockets. The chain and sprockets must therefore be checked regularly for wear (see Section 10 on page 59).

9.3 Handlebar, headset, fork

The headset is located in the head tube; it connects the fork to the frame and allows easy turning of the handlebar. When cycling, it is exposed to heavy loads and must therefore be seated correctly. The woom UP must be handed to professionals if the headset or the handlebar:

- ✓ wiggles or exhibits backlash,
- ✓ can no longer be turned easily or is difficult to move.

9.4 Gearshift system

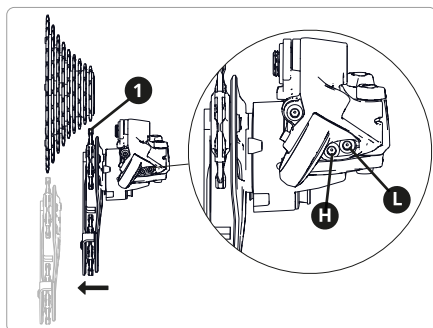
Over time, the gearshift system may change. Therefore, it may be necessary to readjust it after some time.

If an accident or other event causes problems with the gearshift system, it must be repaired or readjusted by a specialist.

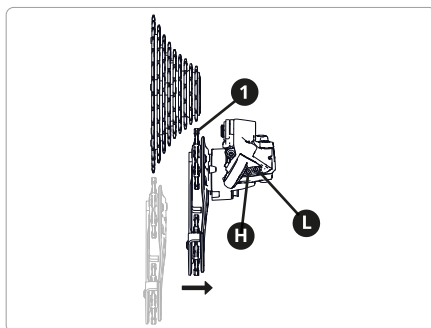
Adjust rear derailleur

Lower limit: Shift to the smallest sprocket and adjust the rear derailleur (1) by turning the screw (H) so that it is in line under the smallest sprocket.

Upper limit: Shift to the largest sprocket and adjust the rear derailleur (1) by turning the screw (H) so that it is in line under the largest sprocket.



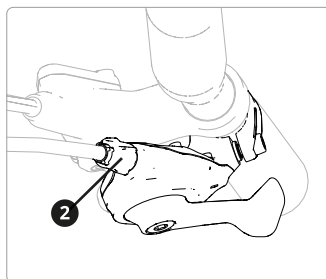
Turning the screws (H and L) counter clockwise moves the rear derailleur (1) toward the wheel.



Turning the screws (H and L) clockwise moves the rear derailleur (1) away from the wheel.

Shifting:

Shift through all the gears starting with the smallest sprocket. If the chain does not shift to the next-largest sprocket, increase the shift cable tension by turning the adjustment screw (2) on the shifter counter clockwise. If, during a single shift operation, the chain skips several sprockets, reduce the shift cable tension by turning the adjustment screw (2) on the shifter clockwise.



Please also read the information on the gearshift system on the following website: www.sram.com/service

9.5 Brakes

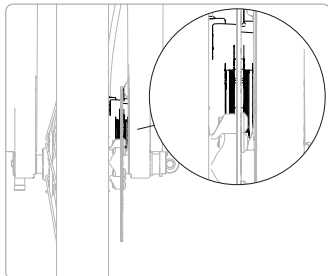


WARNING

Have repairs and adjustments to brakes carried out only by qualified personnel.

Brake discs and brake pads are wear parts, which means they need to be inspected regularly (see Section 10 on page 59). The brakes must always be checked or serviced by a specialist if:

- ✓ the brake pads are thinner than 0.5 mm (see figure)
- ✓ the brake lever touches the handlebar when braking
- ✓ the braking power decreases
- ✓ the brakes squeak or vibrate
- ✓ the brakes exhibit a variable pressure point.



CAUTION

Brake pads must not come into contact with oil or grease.

Take care not to touch hot surfaces (such as a hot brake disc).



TIP

We recommend having brake systems filled with brake fluid serviced every two years. The interval depends on how often the bike is used, but keep in mind that brake fluid will age even if the bike is not used often.

Please also read the information on the brakes on the following website:
www.promaxcomponents.com/product/solve-disc-brake/

9.6 Cranks

The cranks can loosen. Therefore, check for tight fit of cranks regularly or have a specialist do it.

- ✓ Have damaged cranks repaired or replaced by a specialist if necessary.

9.7 Bottom bracket

Bottom brackets can wear out after a certain time.

- ✓ Have damaged bottom brackets repaired or replaced by a specialist if necessary.

9.8 Spokes and wheels

Spokes connect the hubs to the rims. They must be sufficiently tensioned and influence the concentricity of the wheel. Check the spokes regularly for damage and sufficiently high spoke tension or have them checked by a specialist.

- ✓ Have damaged spokes repaired or replaced by a specialist if necessary.
- ✓ If a wheel exhibits excessive lateral or radial runout, have it repaired or centred by a specialist.

10 Maintenance schedule

Regular inspections of the woom UP by a specialist are important for the safety of your child. When you need to have the woom UP serviced by a professional bike repair shop:

After 200 kilometres and at least once a year:

- ✓ Check the tyres and wheels for damage and proper condition.
- ✓ Have the gearshift system checked.
- ✓ Have the tightening torques on handlebar, headset, cranks, pedals, saddle, seat post and all fastening screws checked.

After 300 to 500 kilometres:

- ✓ Check for tight fit of all fittings.
- ✓ Have the brake pads, bike chain, cassette, chainring and rims checked for wear.

Every 1,000 kilometres, a specialist should disassemble, check, clean, lubricate and, if necessary, replace the following components:

- ✓ Hubs
- ✓ Pedals
- ✓ Headset
- ✓ Brakes
- ✓ Gears



HINT



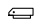


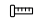


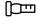

Ensure that individual components (especially frame and fork) are regularly checked for damage and wear after intensive use.

11 Technical data

11.1 Tightening torques

Component	Recommended torque
Brake lever on handlebar (M5)	4 Nm
Pedals	20 Nm
Seat post on frame	4 Nm
Shifter on handlebar (M5)	4 Nm
Rear through axle (M12)	10-15 Nm
Front through axle (M15)	18-22 Nm
Component	Minimum torque
Brake caliper on frame (M6)	6 Nm
Handlebar end plugs	0.6 Nm
Saddle on seat post (M5)	4 Nm
Stem on fork (M6)	6 Nm
Stem on handlebar (M5)	4.5 Nm

11.2 Specifications

	<ul style="list-style-type: none"> • Frame material: lightweight, high-quality 6061 T6 aluminium with butted and hydroformed tubes • 24" / 26" wheel size • Sporty handling: an easy-access low top tube, low centre of gravity and long wheelbase provide good balance and make for a fun, safe riding experience.
	<ul style="list-style-type: none"> • Suspension fork, adjustable damping and rebound damping, with lockout function, 80 / 90 mm suspension travel • 1 1/8" - 1" baby taper shaft • 100 x 15 mm quick release through axle • Post mount for disc brake
	<ul style="list-style-type: none"> • Fully integrated 1 1/8" - 1" headset • Sealed industrial bearings
	<ul style="list-style-type: none"> • Forged aluminium • CNC-machined • Handlebars attached with two clamps and secured with four 4 mm internal hex screws • +/-15° flip-flop design to adjust handlebar height • Length: 50 mm
	<ul style="list-style-type: none"> • Wide, ergonomically adapted and lightweight aluminium handlebars for more control • Sandblasted and silver anodised • Width: 600 / 680 mm • Rise: 20 mm
	<ul style="list-style-type: none"> • Child-friendly thanks to small diameter • 100% silicon for maximum grip • Non-toxic • Handlebar ends with screwed-in end plugs
	<ul style="list-style-type: none"> • Lightweight, forged 130 / 150 mm aluminium cranks with narrow tread (Q-factor) • Narrow-wide chainring with 28 teeth in the front • 11-sprocket cassette with 11-42 teeth in the back • Flat pedals made from fibre-reinforced nylon • Cr-Mo axle and sealed industrial ball bearings
	<ul style="list-style-type: none"> • Hydraulic disc brakes from Promax • Rear/front disc diameter: 160 / 140 mm • Ergonomic brake levers designed for children's hands
	<ul style="list-style-type: none"> • 11 speeds • SRAM NX Trigger shifter • SRAM NX rear derailleur
	<ul style="list-style-type: none"> • Superlight woom UP DISCO TEC double-chamber aluminium rims • Aluminium hubs with sealed industrial bearings • Through axles for maximum torsional strength (135 x 12 mm rear) • with 24": 20 G14 spokes, double-crossed spoking • with 26": 28 G14 spokes, triple-crossed spoking • Brass nipples



Tyres

- 24 x 2.35" / 26 x 2.35" Schwalbe Rocket Ron with ADDIX SPEED rubber compound
- Quality MTB tyres with low rolling resistance, maximum grip, good shock absorption and excellent durability
- Car-type valves for easy filling at any service station



Saddle

- Ergonomically designed to fit children's pelvis
- Non-toxic
- Side protection to lean against walls



Seatpost

- 27.2 x 250 mm / 27.2 x 300 mm
- Anodised aluminium seatpost with insertion marks that indicate the minimum insertion depth



Saddle clamp

- Made from aluminium
- No risk of turning and/or twisting



Enclosed tools

- 4 mm hex key for stem and seatpost clamp
- 8 mm hex key for pedals



Minimum saddle height

- UP 5: 715 mm
- UP 6: 785 mm



Shipping dimensions

- 180 x 25 x 100 cm



Weight

- UP 5: 15.80 kg (without pedals)
- UP 6: 16.60 kg (without pedals)



Colours

- Electric blue



Weight limits

- Cyclist, luggage and bike: UP 5: 80 kg / UP 6: 90 kg

12 Environmental protection

12.1 Disposing of transport packaging

The packaging materials have been selected with environmental and disposal considerations in mind and are therefore almost completely recyclable.

Recycling packaging material saves raw materials and reduces the amount of waste.

12.2 Disposing of an old bike

Old appliances often contain valuable materials. They also contain certain substances, mixtures and components required for proper functioning and safety. They can be harmful to human health and the environment if disposed of incorrectly or as household waste. So please do not dispose of your child's old bike as household waste.

Instead, use the municipal collection point or take the old bike back to the dealer.

13 Warranty

All woom frames and components are guaranteed for 24 months from the day of purchase. This guarantee does not cover normal wear and tear on components and damage resulting from crashes and incorrect use. Please keep hold of your receipt. You will need it when making a guarantee claim. The guarantee is valid worldwide. Legal warranty rights remain unaffected by the guarantee. Please send us a photo of the defect. We will help find a quick and simple solution.

If you have bought your woom bike from one of our retailers, please contact them directly. The retailer will then take care of the rest.

Welcome to the woom family!

Thank you for choosing a woom bike. We value the trust you have placed in us and are delighted that you are joining the woom family. If you ever have a problem with your woom bike, you can contact your woom retailer or us directly at any time. Just give us a call or send an e-mail. We will do all we can to help you as quickly as possible, until you are fully satisfied that your issue has been resolved. Have fun on your new woom bike!



Marcus Ihlenfeld
Founder and CEO
woom



Christian Bezdeka
Founder and CEO
woom



EU +43 2243 23923

woom@woom.com

US +855-966-6872

usa@woombikes.com

woom™

woom GmbH · Inkustraße 1-7 / Halle 14 / Top 5 · 3400 Klosterneuburg · Europe / Austria
woom@woom.com · +43 2243 23923 ·
woom.com
us.woombikes.com