

## SIDEKICK GAMING CHAIR ASSEMBLY INSTRUCTIONS

Made in China  
Manufactured under licence by  
PROVINCE 5, Timothy's Bridge Rd.  
CV37 9NQ UK  
[www.province5.com](http://www.province5.com)

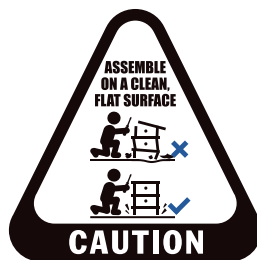
# Important

Estimated Assembly Time: 30min

- Assembly requires 2 people.
- Please read through all instructions before starting assembly.

## ASSEMBLY VIDEO

- To view an assembly video, go to <https://province5.com/pages/assembly-sidekick>
- Click on the icon to watch the video.



+44 (0)1789 330566

## NOTE

- Please check you have the right number of parts before assembly.
- If you are missing any component, please contact Province 5 on +44 (0)1789 330566.
- Please retain your receipt as proof of purchase to validate your warranty.

## CAUTION

- Do not tighten screws before all screws are in the right place.
- Do not use this product unless all bolts, screws and knobs are firmly secured.
- Check that all bolts, screws and knobs are securely tightened at least every 4 months.

## WARNING

- If parts are missing, broken, damaged or worn stop using the product until all repairs are made using manufacturer authorised parts.
- Failure to follow these warnings could result in serious injury

## DANGER

- CHILDREN MUST BE SUPERVISED.
- **Maximum weight: 120kgs**

PROVINCE 5 | Timothy's Bridge Road | CV37 9NQ UK | [www.province5.com](http://www.province5.com)

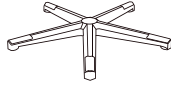
# ASSEMBLY PARTS LIST

**A**



x5

**B**



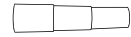
x1

**C**



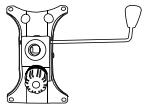
x1

**D**



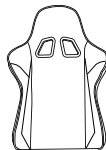
x1

**E**



x1

**F**



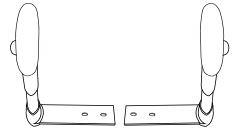
x1

**G**



x1

**H-L / H-R**



x2

**I**



x1

**J**



x1

**K**



x1

**L**



x1

**M**



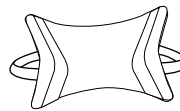
x1

**N**



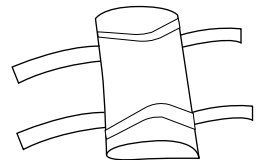
x1

**O**



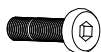
x1

**P**



x1

**Q (M8x22mm)**



x 16

**R (M5 x 10mm)**



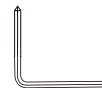
x 6

**S**



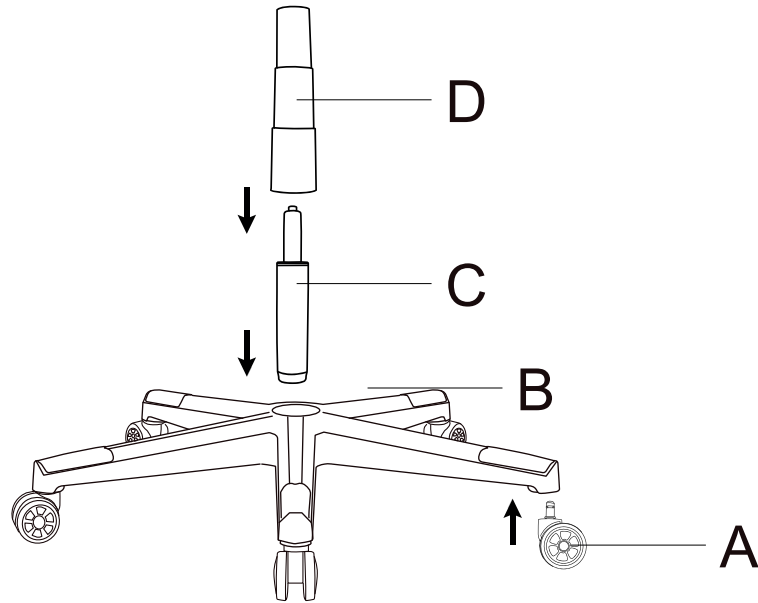
x 4

**T**



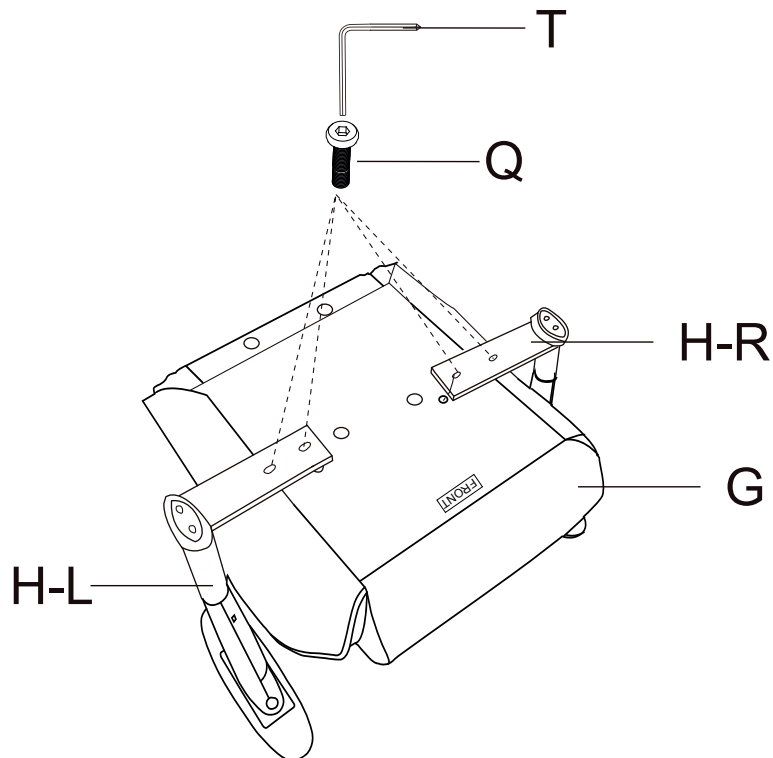
x 1

## Step 1



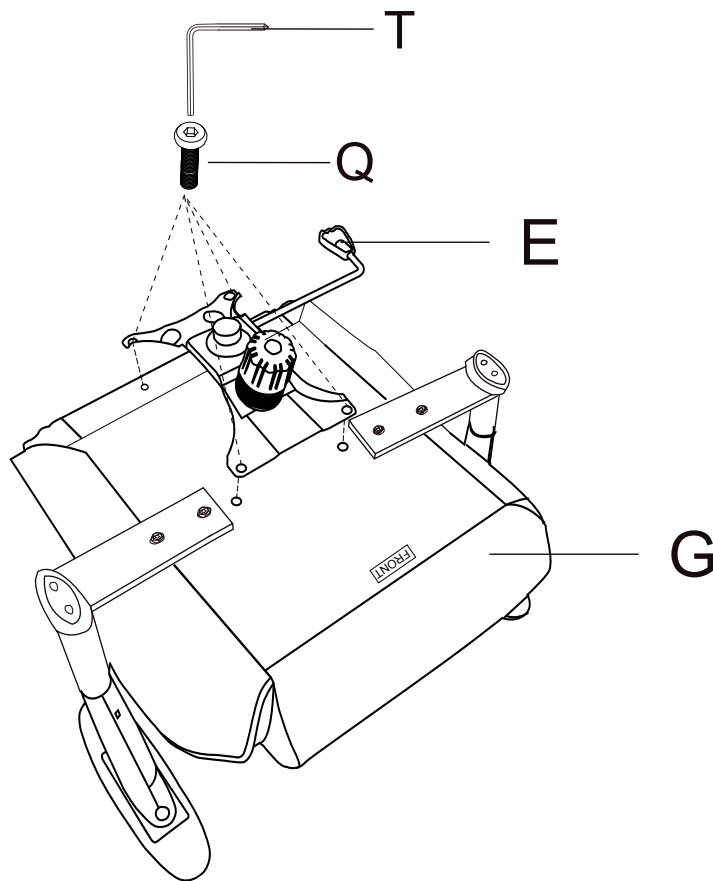
Note: Turn the Star Base (B) upside down. Push the Castors (A) firmly into hole at the end of each leg. Turn the Star Base (B) upright and insert Gas Lift (C) into the centre hole of Star Base (B). Place cover (D) over the Gas Lift (C).

## Step 2



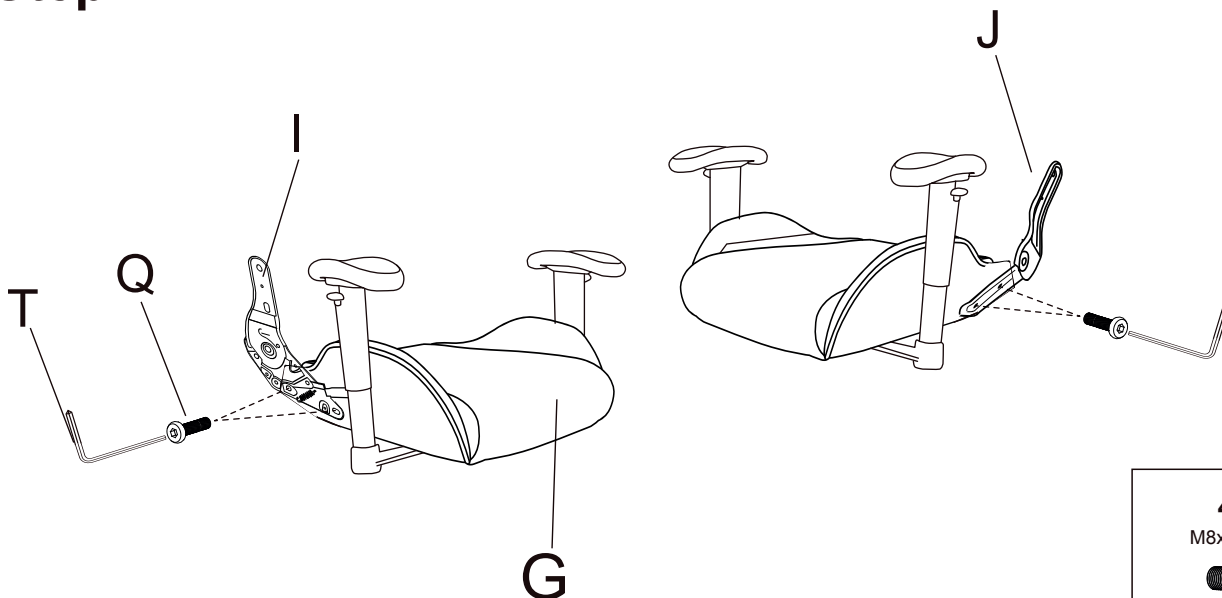
Note: Attach Armrests (H) to the Seat Cushion (G) using 4 x Screws (Q) with Allen Key (T). Tighten the screws.

## Step 3



Note: Align the Seat Plate (E) so the FRONT of the Seat Plate matches the FRONT label on the bottom of the Seat Cushion (G).  
Tighten the screws with Allen Key (T).

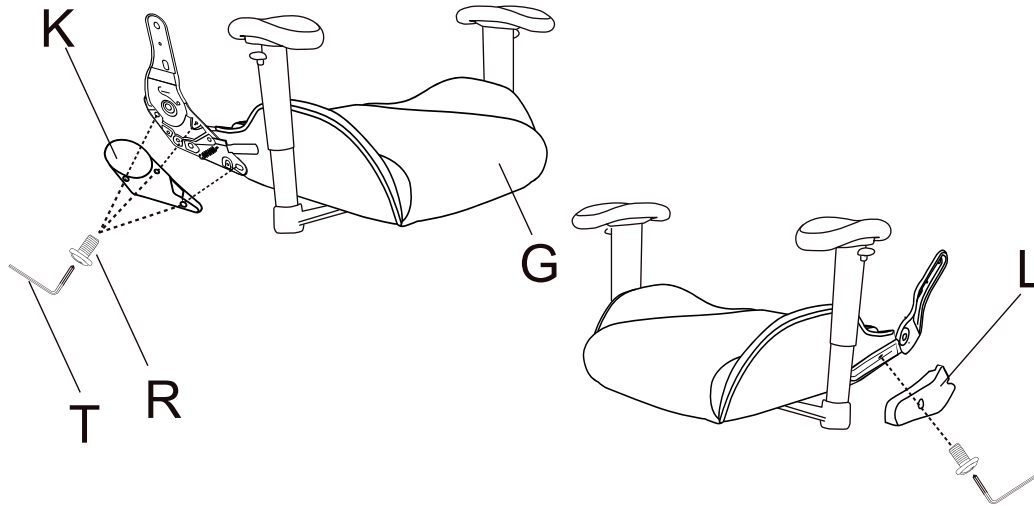
## Step 4




Note: Attach the Angle Adjuster (I) and Connector (J) to Seat Cushion (G) using 4 x Screws (Q) by Allen Key (T).

Important: Angle Adjuster (I) should be attached to the right side of the Seat Cushion (G). Connector (J) should be attached to the left side of the Seat Cushion (G).

**Step 5** **Warning :** DO NOT adjust/ touch the backrest lever before the backrest has been securely fastened to bracket. Doing so will cause the bracket to spring forward and may cause harm. Keep hands clear of the recline mechanism until the backrest has been assembled.

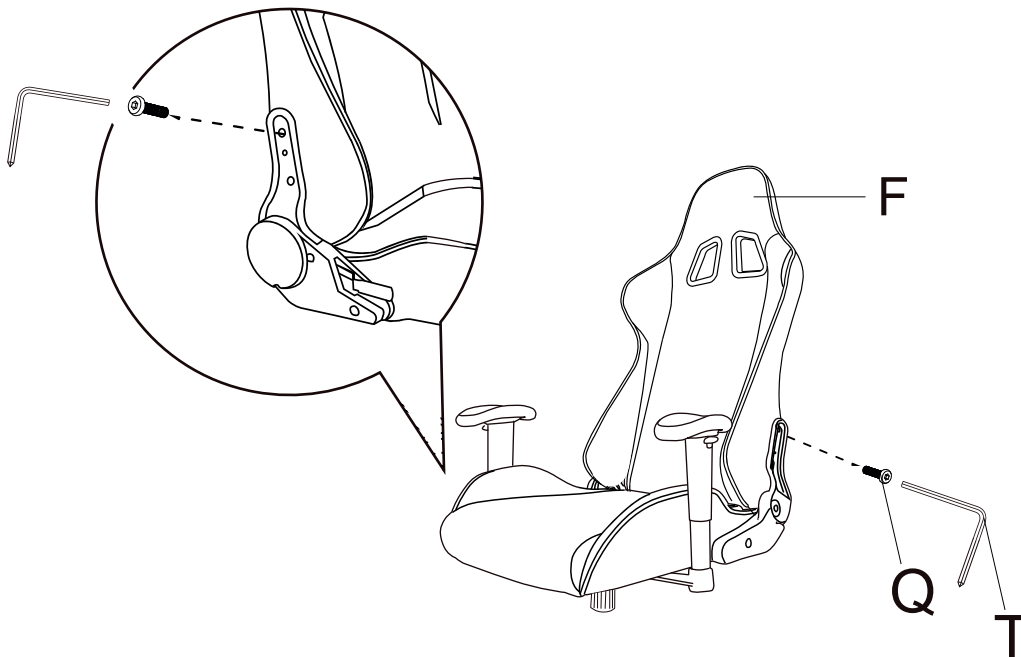


**R**  
**4 Pcs**  
 M5x10mm Bolt  
  
 used to complete this step.

Note: Place the Plastic Cover (K) & (L) on Seat Cushion (G) using 4 x Screws (R) with Allen Key (T).

Important: Plastic Cover (K) should be placed to the right side of the Seat Cushion (G). Plastic Cover (L) should be placed to the left side of the Seat Cushion (G).

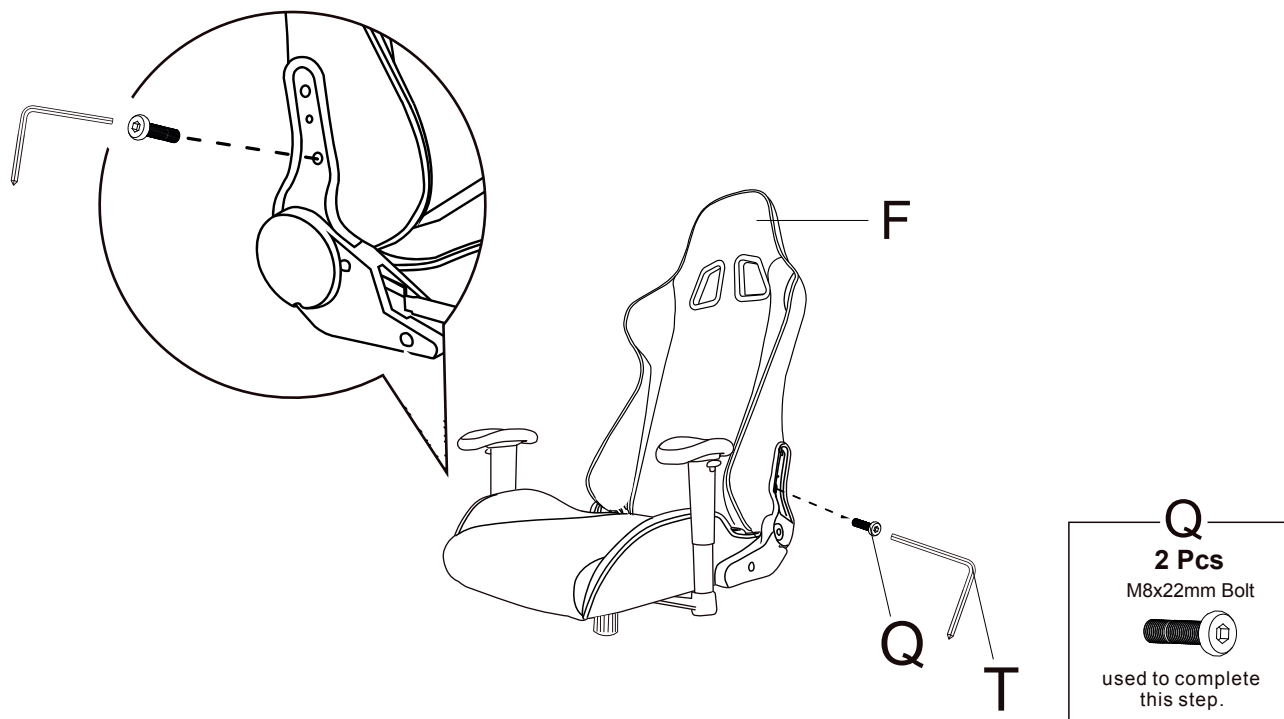
**Step 6**



**Q**  
**2 Pcs**  
 M8x22mm Bolt  
  
 used to complete this step.

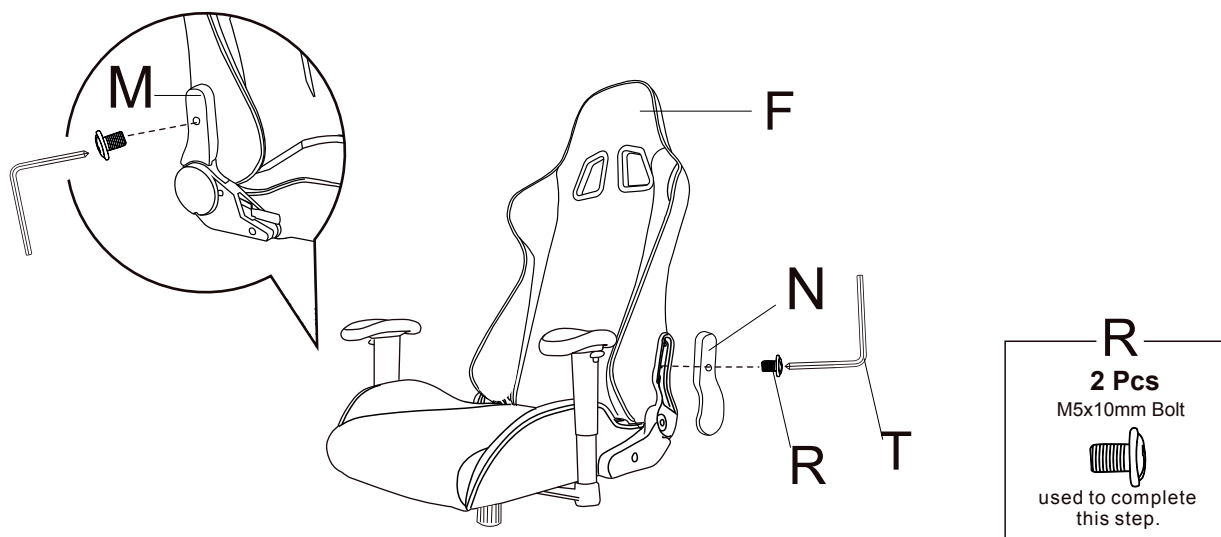
Note: Use 2 x Screws (Q) through upper holes of Bracket to attach Back cushion (F). Tighten the screws with Allen Key (T).

## Step 7



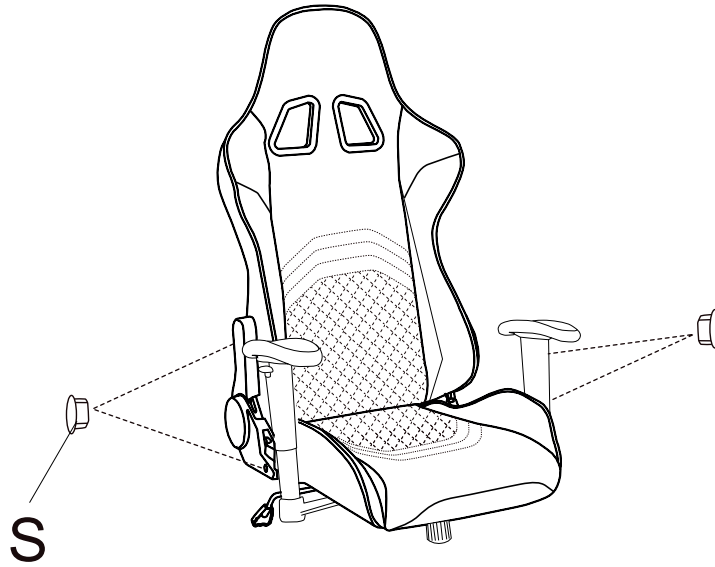
Note: Use 2 x Screws (Q) through lower holes of Bracket to attach Back cushion (F).  
Tighten the screws.

## Step 8



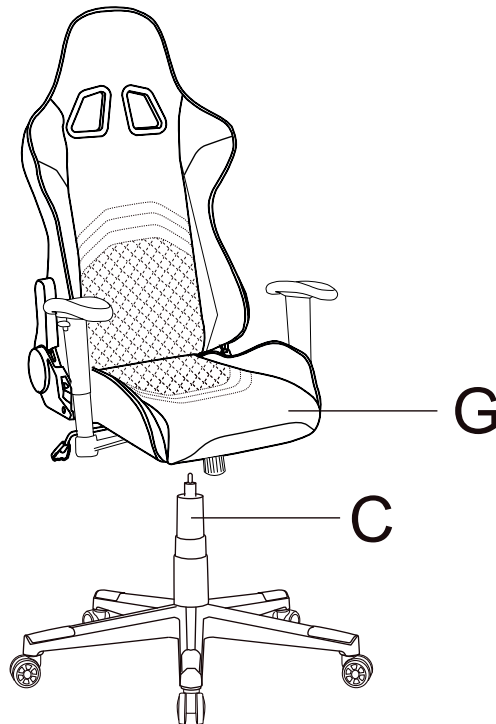
Note: Place the Plastic Cover (M) on the upper Angle Adjuster (I) using 2 x Screws (R) with Allen Key (T).  
Place the Plastic Cover (N) on the upper Connector (J) using 2 x Screws (R) with Allen Wrench (T).  
Tighten the screws.

## Step 9



Note: Press the Plastic Caps (S) into the Plastic Cover to cover the screws.

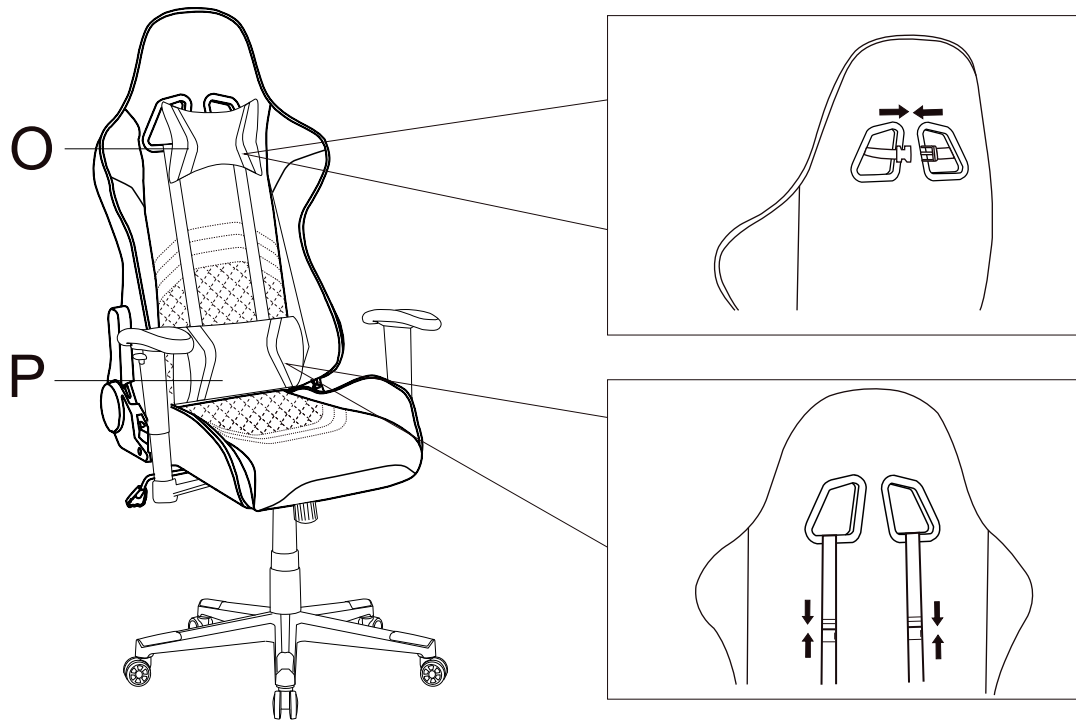
## Step 10



Note: Place assembled Seat Cushion (G) on the Gas Lift (C). Push down firmly until connection is secure.



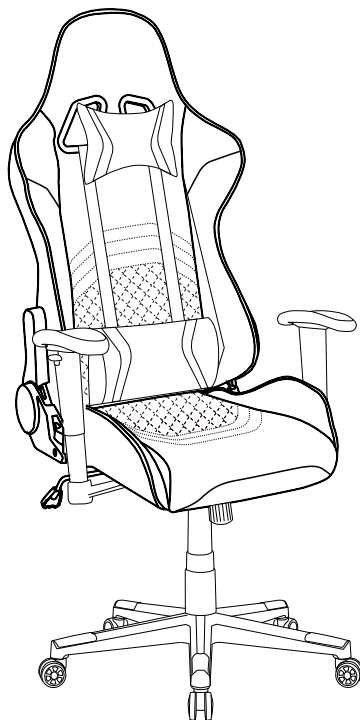
## Step 11



Note: Headrest cushion - Place the strap through the holes at the top of the backrest. Fasten the clips by pushing together.

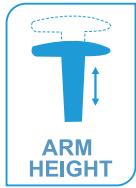
Lumbar cushion – Place the bottom straps through the gap between the seat and back rest. Feed the top straps through the holes at the top of the backrest. Fasten the clips by pushing together.

## Step 12



Your Gaming Chair is now complete and ready for use.  
**IMPORTANT NOTE:** Periodically check and re-tighten screws

# SIDEKICK GAMING CHAIR FUNCTIONALITY



## Arm Height Adjust

- Pull lever up whilst moving the arm up or down. Release lever at desired height.



## Back Tilt

- Sitting in the chair pull the lever up. Move your upper body back and forth to a comfortable position. When comfortable lock the position by pushing the lever down.



## Chair Height Adjustment

- To increase chair height pull lever upward while lifting body weight slightly off the seat.  
- Release lever at desired height.

- To lower chair height sit fully into the chair and pull lever upward.  
- Release lever at desired height.

Your feet should be resting flat on the floor.



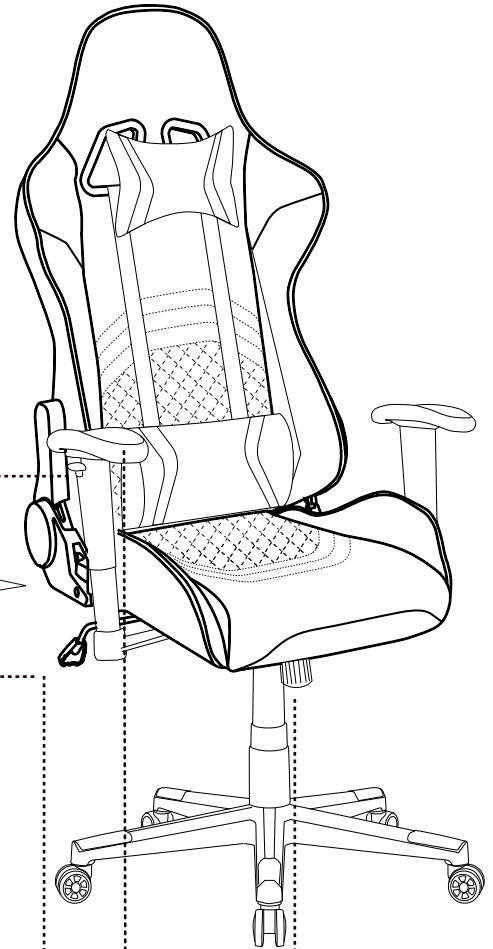
## Chair Tilt

- Pull lever out to unlock & allow chair to tilt back & forth  
- Push lever to lock. Chair will have slight movement in locked position



## \* Arm Swivel

- Adjust the armrest angle by turning the armrest inwards or outwards.



## Adjustable Tilt Tension Control

- Turn continuously to adjust how quickly chair tilts back & forth.  
Note: if adjusting while sitting in chair:  
Turn knob left to tighten tension  
Turn knob right to loosen tension

## Care Instructions

- Wipe with a damp cloth and mild soap. Wipe dry immediately with an absorbent dry cloth.
- Treat spills immediately with an absorbent cloth by blotting the spill.
- Do not use detergents, solvents or abrasive cleaners.
- Keep away and protect from direct sunlight and heat.
- Avoid contact with skin, in particular during high temperatures and humidity.
- Clean, check and tighten all parts regularly.
- Vacuum regularly.

## Warranty 1 year

### Product Warranty – valid for UK customers only

Province 5 warrants that this product will be free from defects and work as intended for 1 year from the date of purchase by the original customer.

### Return/Exchange Policy

The original packaging can be conveniently reused for a Province 5 return or exchange. Province 5 accepts returns that are properly packaged.

This warranty does not apply:

- to cosmetic damage;
- to damage caused by consumables used in connection with the product (such as cleaning products);
- where the product has not been used in accordance with all provided instructions;
- to damage arising from fair wear and tear;
- where the product has not been subject to reasonable use;
- where the product has been intentionally or negligently damaged; and/or
- if the customer has attempted to repair the product.

Thank you for your purchase. Please retain your receipt to validate warranty.  
If you would like to know more about our other gaming products, please visit [www.province5.com](http://www.province5.com)

Manufactured under licence by:  
FCSI Limited trading as: **PROVINCE 5** | Timothy's Bridge Road | CV37 9NQ | UK

**PROVINCE 5**