



## Multi-Star 2710 rectangle adjustable Modular Downlights

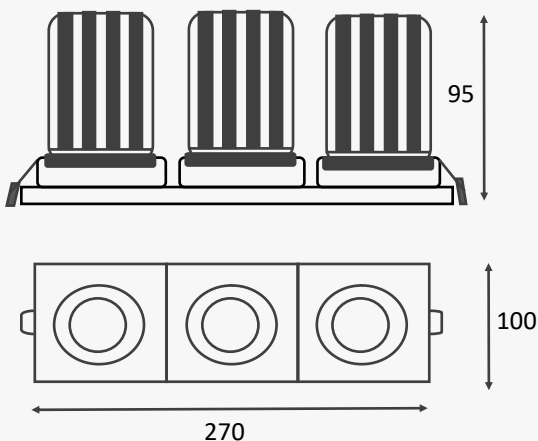
SKU: SL-MSM12WTC-2710 (Tri-colour 3000k, 4000k, 5000k)

SKU: SL-MSM12W3K-2710 (CREE X LAMP CRI93)

SKU: SL-MSM12W4K-2710 (CREE X LAMP CRI93)



MSM12W



The Multi-Star range of luminaires is named for its multitude of light and fitting options.

The 2710 Module fittings are a rectangle adjustable downlight fitting consisting of a 270mm long x 100mm wide x 25mm high frame that has the option of being black or white. 3 x 12w modules = 36w.

This type of downlight is commonly used in residential houses, office meeting rooms and retail environments where light needs to be directed to specific areas.

<b>Voltage</b>	240VAC
<b>Power</b>	12 watt
<b>Emitting Colour</b>	Warm white, Natural white, Daylight
<b>Kelvin (CRI)</b>	3000k, 4000k, 5000k
<b>Lumens/watt</b>	86.6 (ww) 93.3 (nw) 100 (dl)
<b>Delivered lumens</b>	1040 (x3) 1120 (x3) 1200 (x3)
<b>Dimensions</b>	270mm long x 100mm wide x 25mm high
<b>Colour rendering</b>	>83 (tri-color), >93 (CREE X-Lamp)
<b>IP rating</b>	IP20
<b>Dimming</b>	Yes
<b>Beam angle</b>	15°, 28°, 40°, 60° - reflector 24°, 36°, 60° - UGR19 lens
<b>Fitting colour</b>	White / Black
<b>Cut out</b>	255mm x 80mm square
<b>Warranty</b>	3 years

## MultiStar - Choose your options

D = Diameter H = Height  
C/O = Cut out W = Width

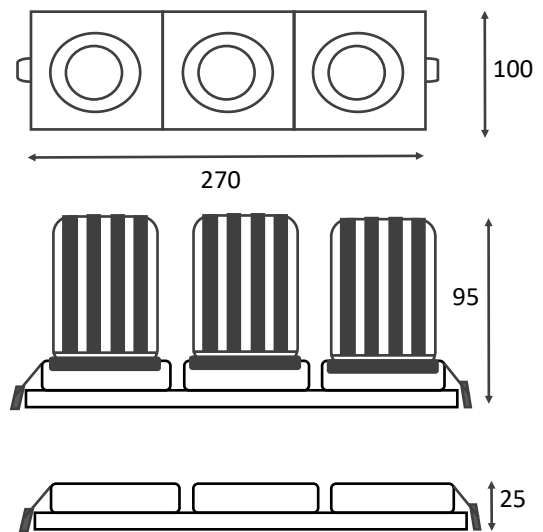


### D2710 x W100 x H25 Adjustable round - 160 x 90mm cut out

Lens angle 24°, 36°, 60°

Beam angle 15°, 28°, 40°, 60°

SKU: 1810

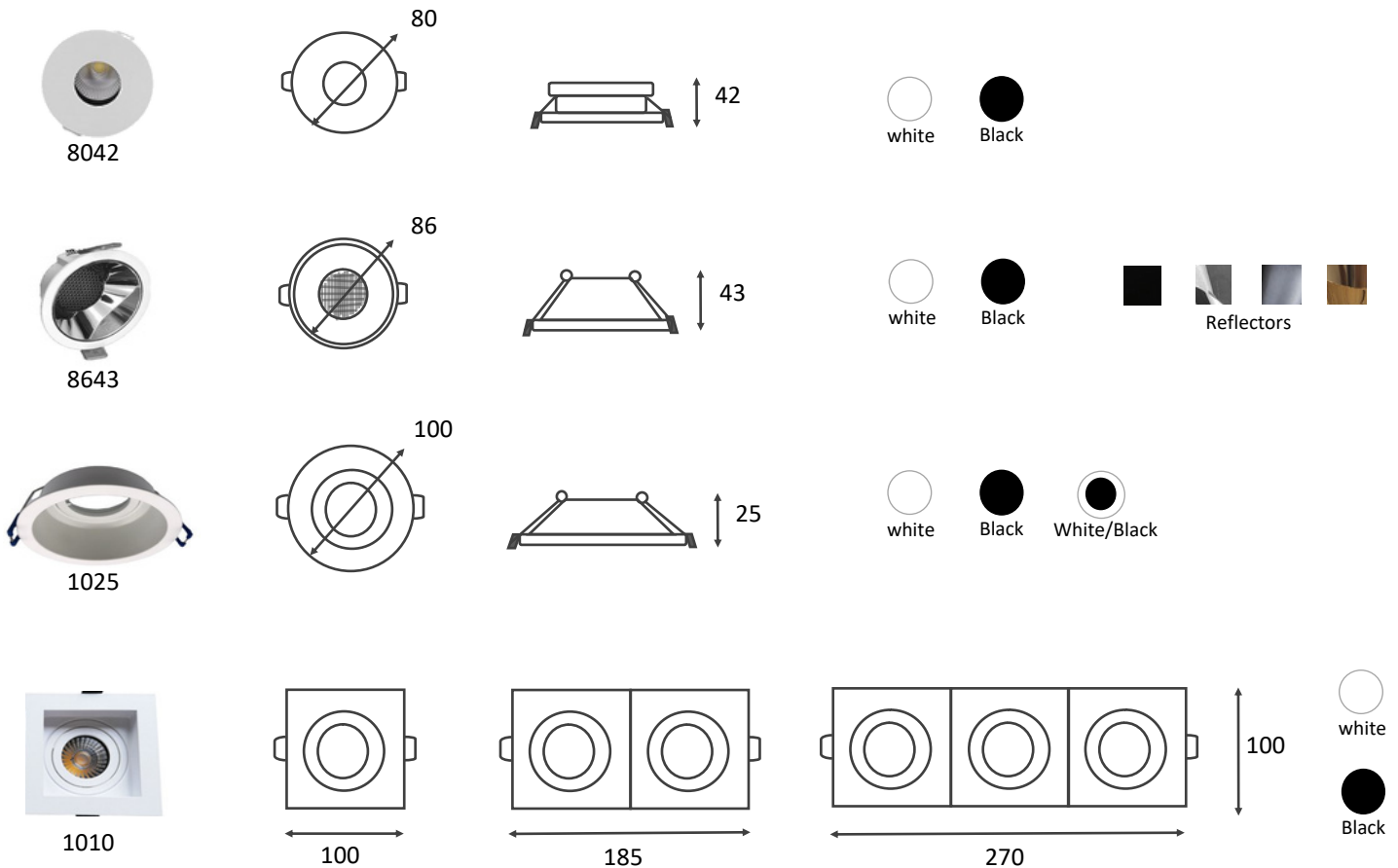


Example Product code for this product:

SL-MSM12W3K-2710WH-BA40

Starco lighting - multi-star module 12 watt 3000k (warm white) - 2710 white frame - Beam angle 40°

**Other fitting options:**



**Product case study and code explanation:**

Lets say you have a shop that sells flower vases displayed on medium size round tables. Your ceilings are black and 4 meters high with the light fittings positioned above your product but they are off centre. Therefore you need an adjustable fitting to shine onto your vase.

Based on your store aesthetic you choose a '100mm adjustable black fitting with 90 degree cut out' and a '40° beam angle' will be perfect to shine on the vase table. You want it to be bright and are not worried about glare so a 'direct beam angle without low glare lens is ok'. You want a crisp 'warm white (3000k) light with high colour reproduction' to highlight the colours in the vase. Below is your product code.

**SL-MSM12W3K-8643BK-BA40RRG**

Product code breakdown:

SL-MSM12W3K-1025BK-BA40

Starco lighting-multi-star module 12 watt 3000k-1025 black frame-Beam angle 40°



**STARCO LIGHTING**

PH: 0451 366 669  
 info@starcolighting.com.au  
 www.starcolighting.com.au  
 Unit 6, 11 Eileen Street  
 Underwood QLD 4119