

User's Manual

Specifications

Product Name: Ceiling Light

Model: CLE02R-3318-830K~57K/CLE02R-3824-830K~57K/
CLE02R-4836-830~57K

Description: Integrated LED Ceiling

Rated Voltage: 220-240V~50Hz

Power Consumption:18W/24W/36W

Protection Class: Class 1

Rated Max. ambient temperature: 45° C

Colour Temperature: 3000K / 4000K / 5700K

For indoor use only

Contents

CLE02R-3318-830K~57K/CLE02R-3824-830K~57K

- 3xMounting screws
- 3x Wall plugs

CLE02R-4836-830~57K

- 4xMounting screws
- 4x Wall plugs

• Warning

Please ensure the following safety warnings are observed

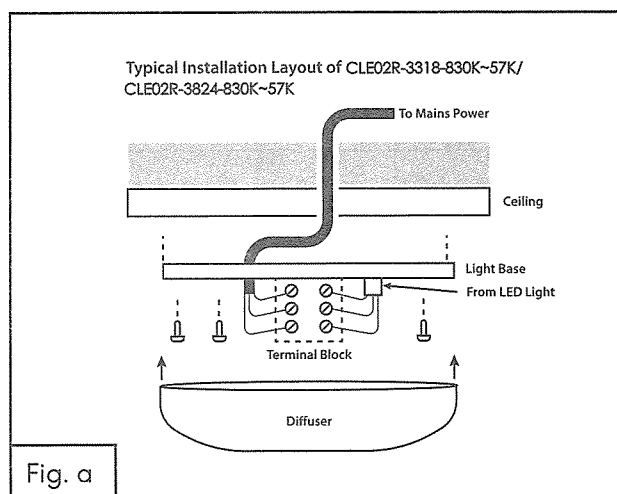
- This light fixture must be installed ONLY by a licensed electrician, and only in accordance with requirements of AS/NZS3000.
- Read the instruction prior to installation or use. Please retain the instructions for future reference.
- The connections to the lamp are polarity sensitive-double check before switching on. Damage may result from reverse polarity connection.
- This product must be connected to earth.
- Installation in circuits protected by safety switches (Earth leakage circuit breakers) is recommended.
- Before attempting to install or maintain, ensure the power is switched OFF
- Use only on rated voltage, otherwise damage may occur.
- The fixture will produce some heat in use, ensure that adequate ventilation is provided.
- Do not cover the fixture with any material and keep clear of window furnishings.
- Product is not suitable to use with a dimmer.
- This Product is IP20. Do not allow the fixture to come into contact with any liquids.
- Not suitable for use near flammable liquids, vapor, gases or in explosive environments

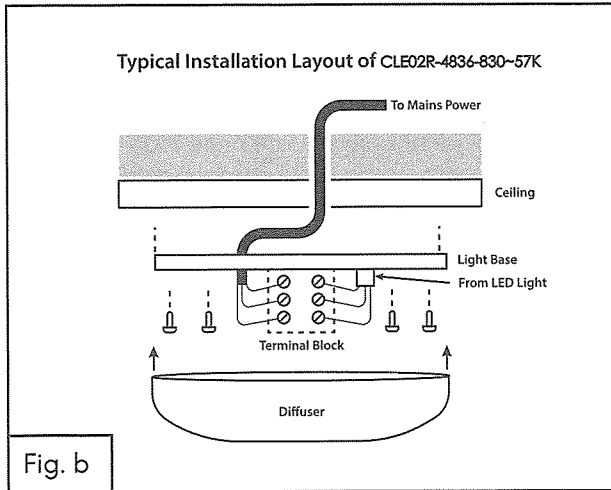
- Ensure the fixture is fully assembled before energising
- If it is required to loop the mains wiring at this lamp it may be necessary to use a suitable junction box in accordance with requirements of AS/NZS 3000: as the terminals will not accommodate more than one cable.
- There are no user replaceable components in this fixture.
- This product contains no serviceable part, and no attempt should be made to repair or alter the product. If the product is faulty, it should be discarded.
- Use the lamp only in conjunction with transformer driver supplied.Do not interconnect driver output with other lights.
- The light source of this luminaire is not replaceable; when the light source reaches its end of life the whole luminaire shall be replaced

General Handling & Installation

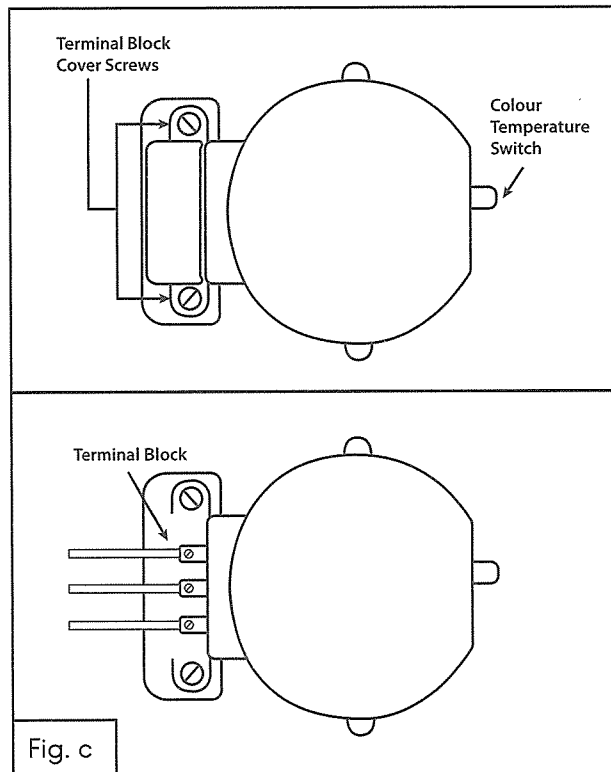
This luminaire is suitable for permanent installation indoors on ceilings, without effect on lifetime or light output. The mounting must be in a rigid and dry location.

1. Ensure the power to the circuit being connected to is isolated.
2. Remove fixture from carton and remove all packing materials.
3. Select a suitable mounting position.
4. Ensure there is adequate length of TPS cable available at intended mounting location and that the fixture can be mounted clear of insulation in a ventilated position.
5. Remove the diffuser by turning it anti-clockwise to the base.
6. Using the fasteners supplied; or other fasteners suitable for the surface being mounted to, mount the base plate securely in place, with the cable passing through the cable entry hole to enable the wiring of the luminaire (refer to Fig. a/b for installation of CLE02R-3318-830K~57K/CLE02R-3824-830K~57K/CLE02R-4836-830~57K)

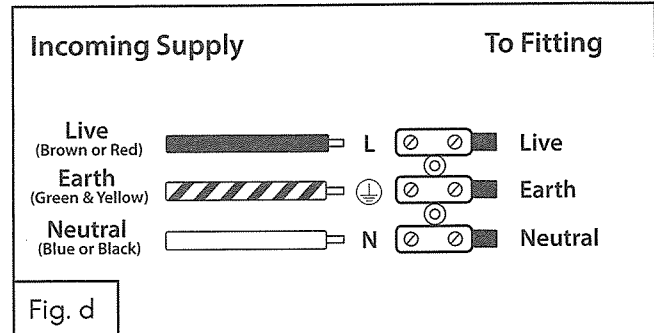




- 7 Remove the two screws on terminal block cover to access the terminal block (refer to Fig. c).



8. Connect the input wires to terminal block as shown refer to Fig. d). Check that the internal wires are not trapped or crushed.
9. Re-attach the terminal cover and tighten the screws. Do not over tighten.
10. Select colour temperature. Slide the switch near driver output to choose desired colour temperature (refer to Fig. c).



11. Re-place the diffuser by turning it clockwise to base. Make sure the diffuser is kept correctly inside the groves provided on base before turning it clockwise.
12. When it is safe to do so, energise the circuit and check the light operates.
13. Dispose of the packaging materials.

Important!

Always turn off the power before adjusting the CCT switch! Wait a few minutes after disconnecting to allow time to cool.

Maintenance

- To avoid dust build up, wipe lightly with a damp cloth as required while the power is turned off.
- Care should be taken when cleaning to prevent scratching. A soft cloth or fine-hair brush should be used together with a non-abrasive cleaner.
- Do not use solvents or abrasive cleaners on anypart of your light.