

# Midea Cooker Hood Instruction

---

MODEL : MHC60GSS  
MHC90GSS



SAVE THESE INSTRUCTIONS CAREFULLY

Read these instructions carefully before using your cooker hood, and keep it carefully. If you follow the instructions, your cooker hood will provide you with many years of good service.

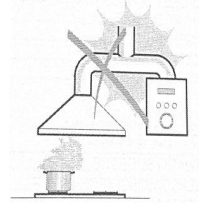
# RECOMMENDATIONS AND SUGGESTIONS



The instructions for Use apply to several versions of this appliance. Accordingly, you may find descriptions of individual features that do not apply to your specific appliance.

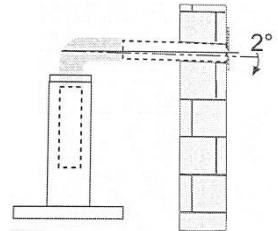
## INSTALLATION

- The manufacturer will not be held liable for any damages resulting from incorrect or improper installation.
- The minimum distance between the supporting surface for the cooking vessels on the hob and the lowest part of the range hood. ( When the range hood is located above a gas appliance, this distance shall be at least 65 cm. If the instructions for installation for the gas hob specify a greater distance, this has to be taken into account. The distance of 65 cm can be reduced for: non-combustible parts of range hoods, and parts operating at safety extra low voltage. Provided these parts do not give access to live parts if deformed ; )
- Check that the mains voltage corresponds to that indicated on the rating plate fixed to the inside of the hood.
- For Class I appliances, check that the domestic power supply guarantees adequate earthing.
- Connect the extractor to the exhaust flue through a pipe of minimum diameter 120mm. The route of the flue must be as short as possible.
- The air must not be discharged into a flue that is used for exhausting fumes from appliances burning gas or other fuels.
- If the extractor is used in conjunction with non-electrical appliances (e.g. gas burning appliances), a sufficient degree of aeration must be guaranteed in the room in order to prevent the backflow of exhaust gas. The kitchen must have an opening communicating directly with the open air in order to guarantee the entry of clean air. When the cooker hood is used in conjunction with appliances supplied with energy other than electric, the negative pressure in the room must not exceed 0,04 mbar to prevent fumes being drawn back into the room by the cooker hood.
- If the supply cord is damaged, it must be replaced by the manufacturer, its service agent or similarly qualified persons in order to avoid a hazard.
- Regulations concerning the discharge of air have to be fulfilled.



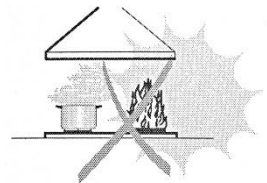
## USE

- The cooker hood is only for home use, not suitable for barbecue, roast shop and other commercial purposes.
- Never use the hood for purposes other than for which it has been designed.
- Never leave high naked flames under the hood when it is in operation.
- Adjust the flame intensity to direct it onto the bottom of the pan only, making sure that it does not engulf the sides.
- Deep fat fryers must be continuously monitored during use: overheated oil can burst into flames.
- Do not flame under the range hood; risk of fire.
- This appliance can be used by children aged from 8 years and above and persons with reduced physical, sensory or mental capabilities or lack of experience and knowledge if they have been given supervision or instruction concerning use of the appliance in a safe way and understand the hazards involved.
- Children should be supervised to ensure that they do not play with the appliance.
- Cleaning and user maintenance shall not be made by children without supervision.
- "CAUTION: Accessible parts may become hot when used with cooking appliances".



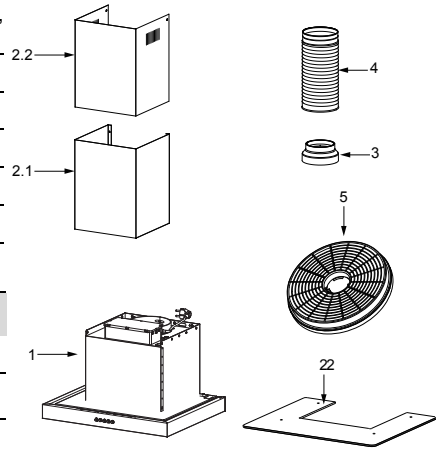
## MAINTENANCE

- The cooker hood and its filter should be cleaned regularly according to the instruction.
- Switch off or unplug the appliance from the mains supply before carrying out any maintenance work.
- Clean and/or replace the Filters after the specified time period (Fire hazard).
- Clean the hood using a damp cloth and a neutral liquid detergent.
- The appliance uses 4 hob elements at most.

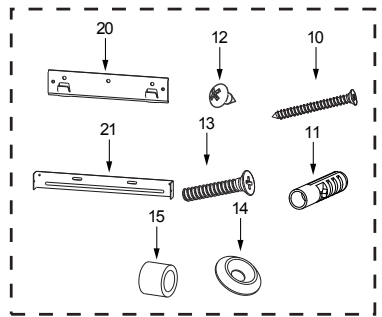


# COMPONENTS

Ref.	Qty.	Product Components
1	1	Hood Body, complete with: Controls, Light, Blower, Filter.
2.1	1	Lower Decorative Chimney
2.2	1	Upper Decorative Chimney
3	1	Flange ( optional )
4	1	Exhaust Pipe
5	2	The Activated Charcoal filter (optional)

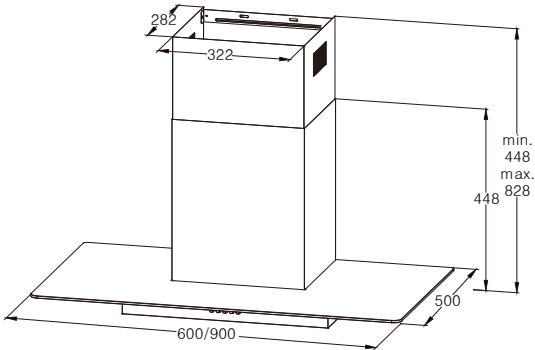
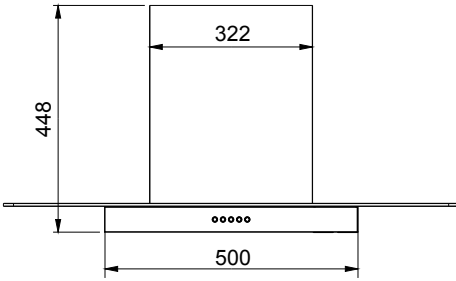
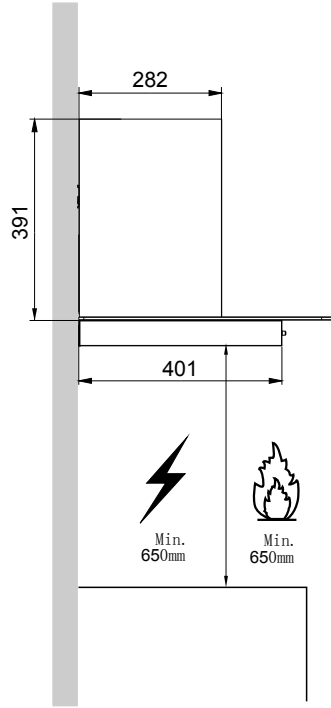
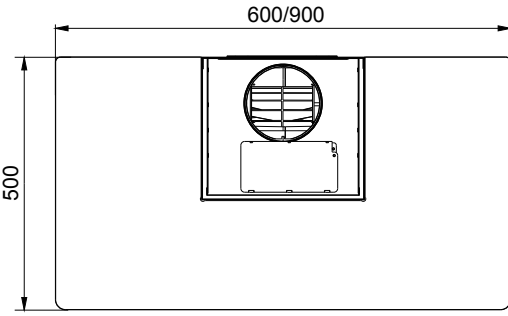


Ref.	Qty.	Installation Components
10	7	Screws 5 x 50
11	7	Wall Plugs
12	6	Screws 4,2 x 9,5 ( 2 Spare)
13	4	Screws M4 x 20
14	4	Decorative washers
15	4	Spare
20	1	Hood fixing bracket
21	2	Chimney fixing bracket
22	1	Glass panel



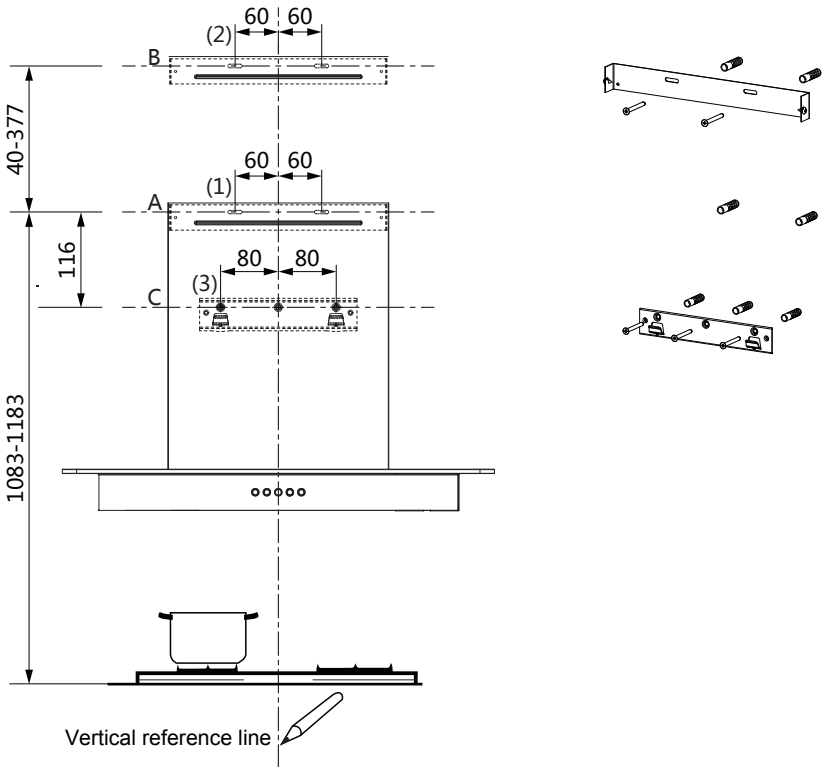
Qty.	Documentation
1	Instruction Manual

# DIMENSIONS



# INSTALLATION

## WALL DRILLING AND BRACKET FIXING



### As a first step, proceed with the following drawings:

- A vertical line up to the ceiling or up to the upper limit, at the center of the area in which the hood is to be fitted.
- A horizontal line A at 1083–1183 mm above the cooker top.
- A horizontal line B at a 40-377mm above the horizontal line A.
- A horizontal line C at a 116mm below the horizontal line A.

### Mark Points:

- Mark a point (1) on the horizontal line A, 60 mm to the vertical reference line.
- Repeat this operation on the other side, checking that the two marks are leveled.
- Mark a point (2) on the horizontal line B, 60 mm to the vertical reference line.
- Repeat this operation on the other side, checking that the two marks are leveled.

- Mark a point (3) on the horizontal line C, 80 mm to the vertical reference line.
- Repeat this operation on the other side and on the vertical reference line, checking that the three marks are leveled.

**Fix the brackets (Optional):**

- Drill holes at the marked points with a  $\phi 10$  mm drill bit.
- Insert the Wall Plugs 11 into the holes.
- Fix the hood fixing bracket **20** with 3 screws **10** (5 x 50) at the horizontal line A,
- Fix a Chimney fixing bracket **21** with 2 screws **10** (5 x 50) at the horizontal line B.

**Hook the hood body**

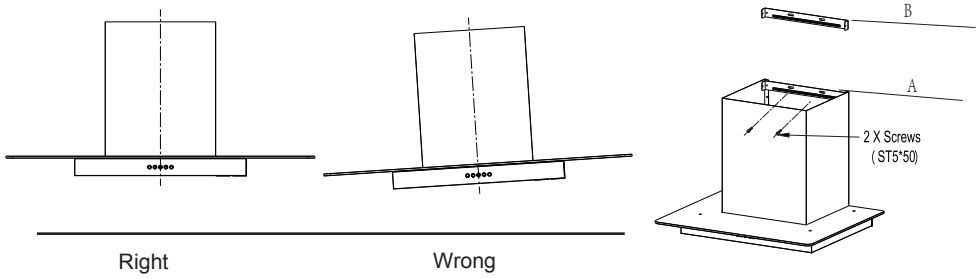
Hook the hood body to the bracket 20.

Level the hood body itself.

Fix the exhaust pipe on the hood body.

Connect the Chimney fixing bracket 21 and Lower Decorative Chimney 2.1

Fix the Chimney fixing bracket 21 with 2 screws 10 (5 x 50) at the horizontal line A to prevent the hood body from accidentally sliding off the hood fixing bracket.

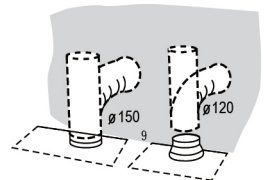


**CONNECTIONS**

**DUCTED VERSION AIR EXHAUST SYSTEM**

When installing the ducted version, connect the hood to the chimney using either a flexible or rigid pipe  $\phi 150$  or  $\phi 120$  mm, the choice of which is left to the installer.

- To install a  $\phi 120$  mm air exhaust connection, insert the reducer flange **3** on the hood body outlet.
- Fix the pipe **4** in position using sufficient pipe clamps (not supplied).
- Remove possible charcoal filters.



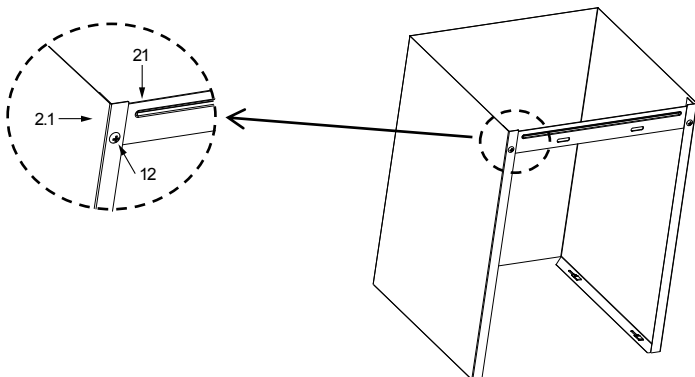
## CHIMNEY ASSEMBLY

---

The chimney can only be installed with exhausting hood.

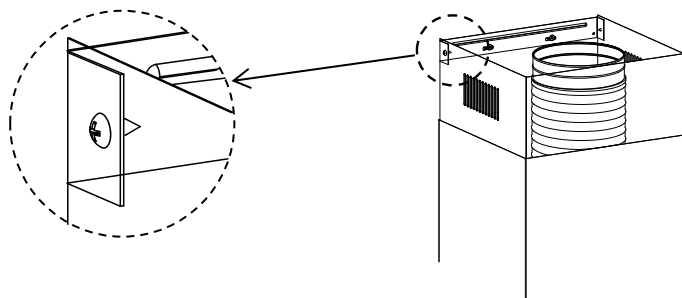
### Lower Decorative Chimney

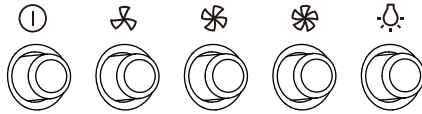
- Fix a Chimney fixing bracket **21** onto the Lower Decorative Chimney with 2 screws **12** (4.2 x 9.5) supplied with the hood.








### Upper Decorative Chimney

- Slightly widen the two sides of the upper chimney and hook them between the wall and the bracket **21** which is fixed on the Lower Decorative Chimney.
- Fix the upper chimney onto the bracket **21** with 2 screws **12** (4.2 x 9.5) supplied with the hood.





	OFF MOTOR SWITCH: Press on this switch to stop the motor operation.
	SPEED SWITCH: Press on this switch, the motor runs at LOW speed.
	SPEED SWITCH: Press on this switch, the motor runs at MEDIUM speed.
	SPEED SWITCH: Press on this switch, the motor runs at HIGH speed.
	ON/OFF LIGHTING SWITCH: Press on this switch to turn on the lights, and press again to turn them off.



# MAINTENANC

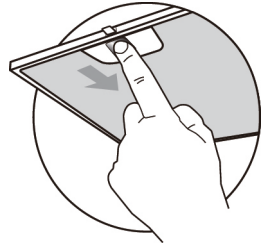
---

## GREASE FILTERS

### CLEANING METAL SELF-SUPPORTING GREASE FILTERS

---

- The filters must be cleaned every 2 months of operation, or more frequently for particularly heavy usage, and can be washed in a dishwasher.
- Pull the comfort panels to open them.
- Remove the filters one by one pushing them towards the back side of the hood unit and simultaneously pulling downwards.
- Any kind of bending of the filters has to be avoided when washing them. Before fitting them again into the hood make sure that they are completely dry. (The color of the filter surface may change throughout the time but this has no influence to the filter efficiency).
- When fitting the filters into the hood pay attention that they are mounted in correct position the handle facing outwards.
- Close the comfort panel.



### ACTIVATED CHARCOAL FILTER (RECIRCULATION VERSION)

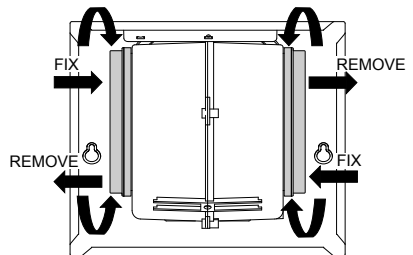
---

These filters are not washable and cannot be regenerated, and must be replaced approximately every 4 months of operation, or more frequently with heavy usage.

### REPLACING THE ACTIVATED CHARCOAL FILTER

---

- Open the comfort panels pulling them downwards.
- Remove the metal grease filters.
- Remove the saturated activated charcoal filter.
- Fit the new filters.
- Replace the metal grease filters.
- Close the comfort panel.



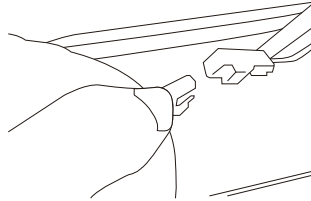
# LED LIGHT REPLACEMENT

ÖQT DE VSOŠÖÖŠÖP VÄ UÖWŠÖ

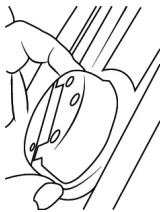
## Replacing the light modules


- Y [ ^ Áe } [ Á ] |æ^Á@Á @Á |á•É@Á) á^Á@Á [ á^ Áe Á Á^Á^ |æ^ÁÈ
- Y @) &@ \* ä \* Á@Á @Á [ á^ Á•É@Á ] |æ^Á Á^ÁÈ
- Before changing the light module(s), unplug the appliance from the mains or switch off the circuit breaker in the fuse box.

1. Ü^ [ ç^Á@Á|Áe^ÁÁc|Áe áÁe~ ||^ Á^ [ ç^Á@ÁÁ&^, •Á [ { Áæ@ÁÁ^Á) Á@Á ] ^ } ä \* ÁÁ & [ ••Á@æ^ÁÁ&^, áá^Á] ä|Á^Á^ÁÁÁÁ Á^ [ ç^Á@ÁÁ&^, •É



2. Lower the control panel at the front by carefully pulling it downwards. You can now access the light module and terminals. Replace the lamp (commercially available LED lamp (max. 1.5w).



	Max Power	Voltage	Picture	Lamp Cap	ILCOS D code
Round/ Diameter : 70mm	1.5W	DC 12 V		---	DSR-1.5-S-70

## DISPOSAL OF OLD ELECTRICAL APPLIANCES



The European directive 2012/19/EU on Waste Electrical and Electronic Equipment (WEEE), requires that old household electrical appliances must not be disposed of in the normal unsorted municipal waste stream. Old appliances must be collected separately in order to optimize the recovery and recycling of the materials they contain, and reduce the impact on human health and the environment.

The crossed out "wheeled bin" symbol on the product reminds you of your obligation, that when you dispose of the appliance, it must be separately collected.

Consumers should contact their local authority or retailer for information concerning the correct disposal of their old appliance.

# TROUBLE SHOOTING

Fault	Cause	Solution
Light on, but motor does not work	The blades are blocked.	
	The capacitor is damaged.	Replace capacitor.
	The motor is damaged.	Replace motor.
	The internal wiring of motor is cut off/ disconnected. An unpleasant smell may be produced.	Replace motor.
Both light and motor do not work	Apart from the above mentioned, check the following:	
	Light damaged.	Replace lights.
	Power cord loose.	Connect the wires as per the electric diagram.
Oil leakage	Outlet and the air ventilation entrance are not tightly sealed.	Take down the outlet and seal with glue.
	Leakage from the connection of U-shaped section and cover.	Take U-shaped section down and seal with soap or paint.
Vibration	The blade, if damaged, can cause vibrating.	Replace the blade.
	The motor is not tightly fastened.	Fasten the motor tightly.
	The cooker hood is not tightly fixed.	Fixed the cooker hood tightly.
Insufficient suction	The distance between the cooker hood and the cooker top is too large.	Readjust the distance.
	Too much ventilation from open doors or windows.	Choose a new place to install the appliance or close some doors / windows.
The machine inclines	The fixing screws are not tight enough.	Tighten the fixing screw and make it horizontal.
	The hanging screws are not tight enough	Tighten the hanging screw and make it horizontal.

